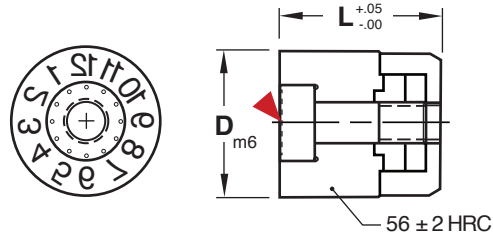
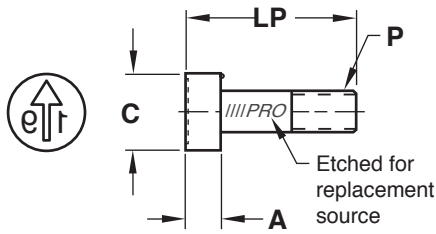


# DATE STAMPS

## COMPACT LOCKING DETENT SERIES



### PLUGS



M 1.4034 H 54-58 HRC

CATALOG NUMBER	C	A	LP	P	Engraving Depth (Arrow)
DTNP03-19	1.6	1.0	3.8	M1 x 0.25	.20
DTNP04-19	2.5	1.2	4.8	M1.4 x 0.2	.30
DTNP05-19	3.1	2.0	7.8	M1.6 x 0.2	.40
DTNP06-19	3.1	2.0	7.8	M1.6 x 0.2	.40
DTNP08-19	4.4	2.5	9.8	M2.3 x 0.25	.40
DTNP10-19	5.2	3.0	11.8	M2.5 x 0.35	.40
DTNP12-19	6.2	3.0	13.8	M3 x 0.35	.60
DTNP16-19	8.2	3.5	13.8	M4 x 0.35	.60
DTNP20-19	11.0	4.5	15.8	M4 x 0.35	.60

### RINGS



CATALOG NUMBER	D	L	B Max From Graphic Below	Engraving Depth
DTN03	3	4	1.6	.10
DTN04	4	5	2.2	.15
DTN05	5	8	3.2	.20
DTN06	6	8	3.2	.20
DTN08	8	10	4.2	.20
DTN10	10	12	5.2	.20
DTN12	12	14	6.2	.25
DTN16	16	14	8.2	.25
DTN20	20	16	10.2	.30

▶ CAD insertion point

**Additional Plug and Ring Options:** Specify catalog number as shown below for the different style plugs and rings.

#### Plug Styles: Recessed Lettering



##### Arrow Only

Cat #: DTNP-Diam-AO  
Ex.: DTNP05-AO



##### C

Cat #: DTNP-Diam-C  
Ex.: DTNP05-C

#### Ring Styles: Recessed Lettering



##### 0 - 9

Cat #: DTNN-Diam  
Ex.: DTNN05



##### A - L

Cat #: DTNA-Diam  
Ex.: DTNA05



##### 0 - 30

Cat #: DTNT-Diam  
Ex.: DTNT05



##### M - X

Cat #: DTNZ-Diam  
Ex.: DTNZ05



##### Blank

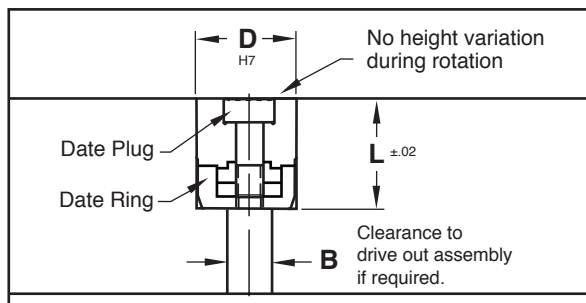
Cat #: DTN-Diam-B  
Ex.: DTN05-B



##### Years

Cat #: DTNY-Diam-Starting Year\*  
Ex.: DTNY05-19

#### Installation Guidelines:



Maximum mold temperature: 572° F (300° C)  
Maximum molding pressure: 20,000 psi/2,000 bar

\*Where years are specified, any year can be ordered by changing the suffix. Example DTNP05-20 or DTNY05-21.

To create Date Stamps for days, purchase both the 0-30 ring (DTNT) and the 0-9 ring (DTNN) and the desired plugs.

Special configurations are available.  
Contact Customer Service for more information.