



Grippers | Sprue grippers

Series 2016 – sprue grippers, with direct sensing

Series 2016 – sprue grippers, with direct sensing



GR04.2016RC with straight jaws



GR04.2016SC with sawtooth for a higher gripping force

SELF-CENTERING

Product notes

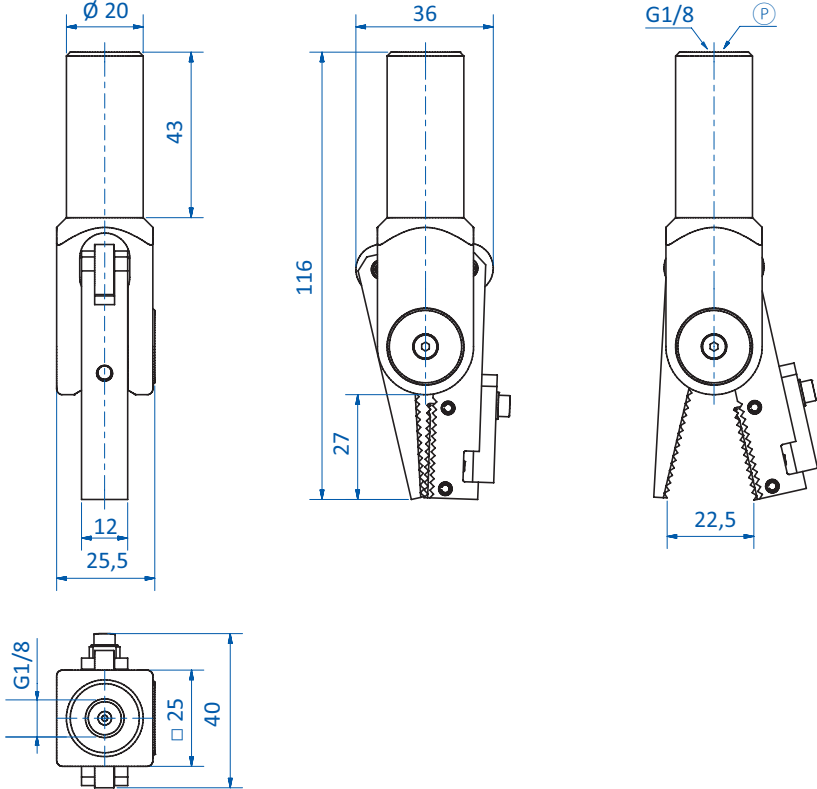
- > Clamping diameter 20 mm
- > Grippers with wide opening jaws and high gripping force
- > Self-centering
- > Large area sensor activation, regardless of sprue position
- > Easy assembly/disassembly of the gripper jaws
- > Jaws made of zinc-plated steel
- > Body and jaws made of anodized aluminum
- > Principle of operation: single-acting
- > Medium: filtered and oiled/unoiled air

Technical data

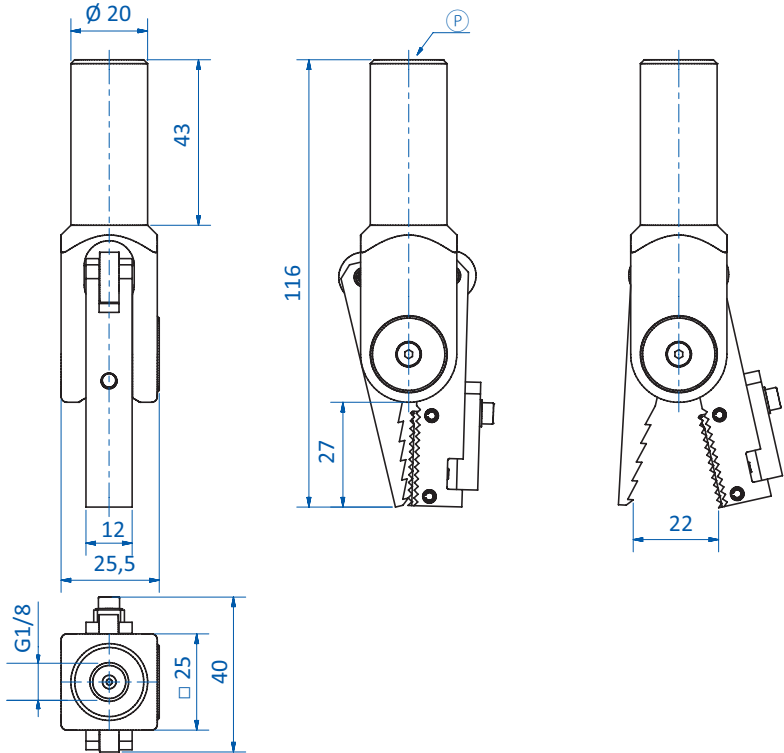
Item no.	Max. operating pressure [bar (psi)]	Sensor	Closing force at 6 bar (87 psi) [N]	Weight [g]	Accessories
GR04.2016RC	6 (87)	PNP	52	165	Connector cable: 20.503 Sensor: GS04.001
GR04.2016RC/NPN	6 (87)	NPN	52	165	Connector cable: 20.503 Sensor: GS04.002
GR04.2016SC	6 (87)	PNP	52	168	Connector cable: 20.503 Sensor: GS04.001
GR04.2016SC/NPN	6 (87)	NPN	52	168	Connector cable: 20.503 Sensor: GS04.002



Dimensions



GR04.2016RC | GR04.2016RC/NPN



GR04.2016SC | GR04.2016SC/NPN

Ⓟ = Compressed air connection