



Grippers | Sprue grippers

Series 2016 – sprue grippers, without sensor

Series 2016 – sprue grippers, without sensor

SELF-CENTERING



GR04.2016R with straight jaws



Sprue gripper GR04.2016H with HNBR pads

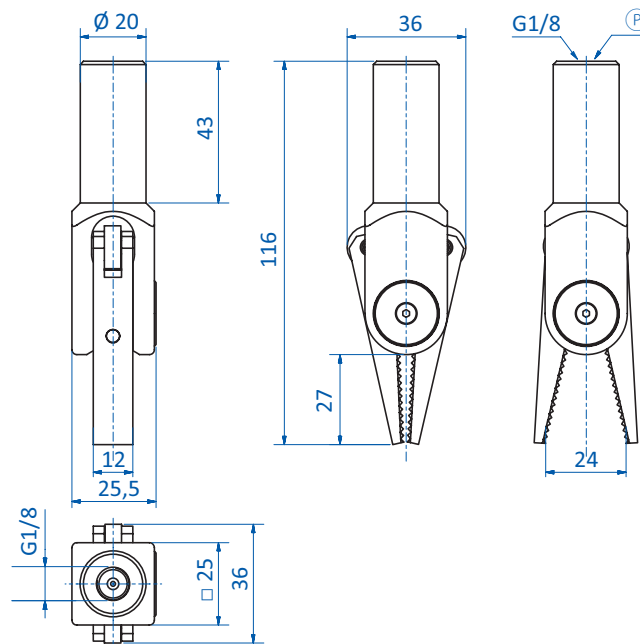
Product notes

- > Clamping diameter 20 mm
- > Grippers with wide opening jaws and high gripping force
- > GR04.2016S with sawtooth jaws for a higher gripping force
- > GR04.2016H with interchangeable HNBR pads for gentle gripping
- > Easy assembly/disassembly of the gripper jaws
- > Jaws made of zinc-plated steel
- > If a sprue detection is needed please use the grippers GR04.2016RC or GR04.2016SC with direct part detection
- > Body and jaws made of anodized aluminum
- > Principle of operation: single-acting
- > Medium: filtered and oiled/unoiled air

Technical data

Item no.	Jaw	Max. operating pressure [bar (psi)]	Closing force at 6 bar (87 psi) [N]	Weight [g]	Replacement parts
GR04.2016R	Standard	6 (87)	52	148	--
GR04.2016S	Sawtooth jaws straight	6 (87)	52	148	--
GR04.2016H	HNBR pad	6 (87)	52	148	GR04.130C-4HNBR

Dimensions

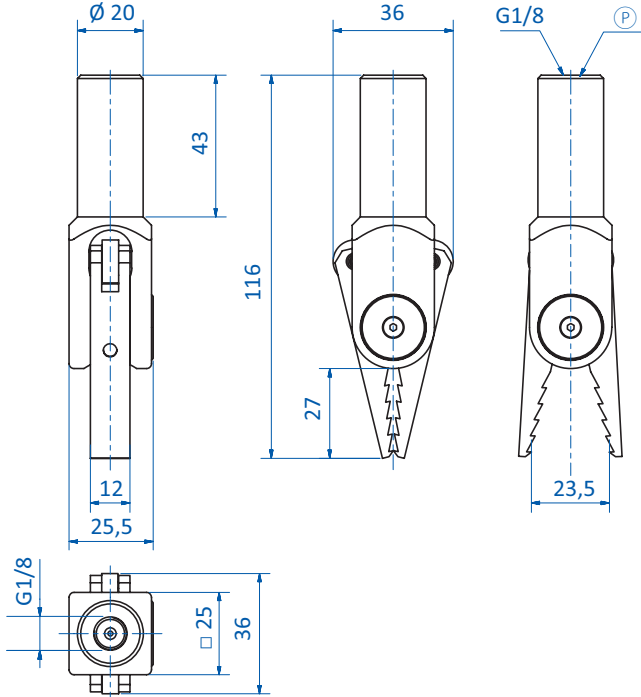


GR04.2016R

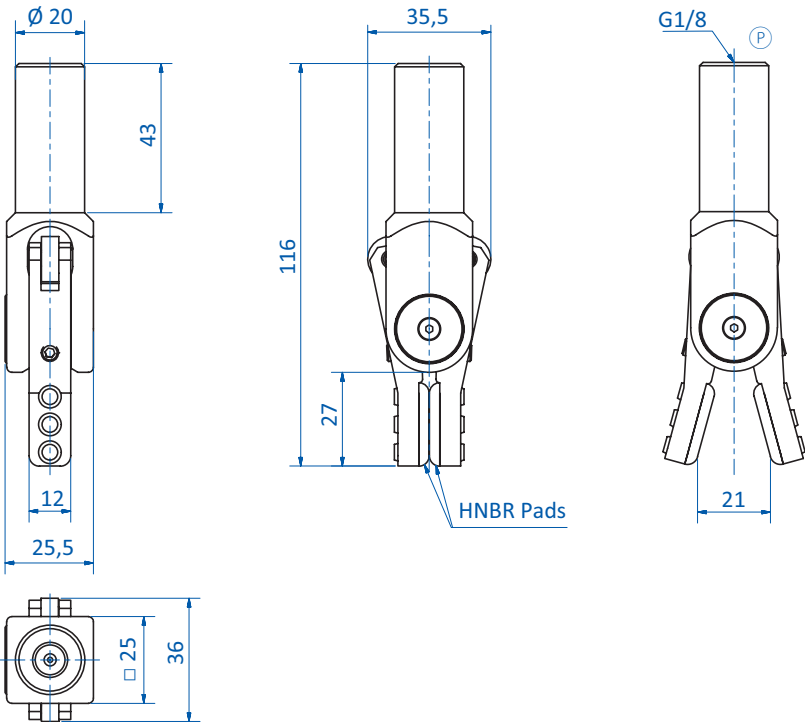
Ⓟ = Compressed air connection



Dimensions



GR04.2016S



GR04.2016H

Ⓟ = Compressed air connection