



Grippers | Sprue grippers

Series 100 – sprue grippers, clamping diameter 10 mm – single-acting

Series 100 – sprue grippers, clamping diameter 10 mm – single-acting



Product notes

- > Grippers with wide jaw opening for large gates
- > Gap-free closing for flat gates
- > Housings and gripper jaws consist of an anodized, high-strength aluminum alloy (except GR04.100XW)
- > Model XW with extra wide steel jaws
- > Model B with rounded gripper jaws for large/inclined gates
- > Model U for special gripper jaws; the closing force depends on the shape of the gripper jaws
- > Model S with sawtooth profile for higher grip force
- > Model H with replaceable HNBR pads for gentle handling
- > Model XW with extra wide gripper jaws
- > Index 1N and 1P for direct monitoring; large-area sensor operation, regardless of the position of the gate in the gripper
- > Index 2N and 2P for direct monitoring; sensor with two freely adjustable switching points
- > Index 3N and 3P for indirect monitoring; signal triggering if no component has been gripped; no moving parts and thus increased mechanical stability
- > Single-acting
- > Medium: filtered and oiled/non-oiled air

Technical data

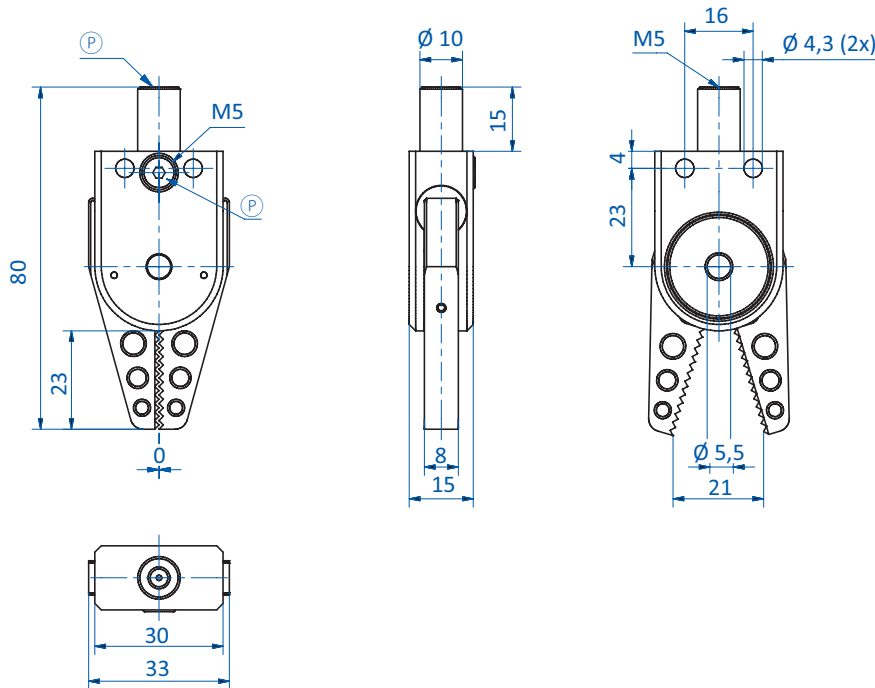
Item no.	Jaw	Operating pressure [bar (psi)]	Sensor	Closing force at 6 bar (87 psi) [N]	Weight [g]	Accessories
GR04.100	Standard	2.5 - 8 (36.3 - 116)	--	22	49	--
GR04.100B	Sawtooth jaws round	2.5 - 8 (36.3 - 116)	--	22	49	--
GR04.100U	Universal	2.5 - 8 (36.3 - 116)	--	22	44	Exchangeable jaws: GR04.103-1 Exchangeable jaws: GR04.103-2 Exchangeable jaws: GR04.103-3 Exchangeable jaws: GR04.103-4
GR04.100S	Sawtooth jaws straight	2.5 - 8 (36.3 - 116)	--	22	49	--
GR04.100H	HNBR pad	2.5 - 8 (36.3 - 116)	--	22	46	HNBR pad: GR04.103-4 HNBR
GR04.100HNBR	Fully HNBR-coated	2.5 - 8 (36.3 - 116)	--	22	48	--
GR04.100XW	Xwide	2.5 - 8 (36.3 - 116)	--	22	85	--
GR04.100-1N	Standard	2.5 - 8 (36.3 - 116)	NPN	22	52	Sensor: GS04.002 Connector cable: 20.503
GR04.100-1P	Standard	2.5 - 8 (36.3 - 116)	PNP	22	52	Sensor: GS04.001 Connector cable: 20.503
GR04.100-2N	Standard	2.5 - 8 (36.3 - 116)	NPN	22	53	Sensor: GS04.006 Connector cable: 20.501 Connector cable: 20.502
GR04.100-2P	Standard	2.5 - 8 (36.3 - 116)	PNP	22	53	Sensor: GS04.005 Connector cable: 20.501 Connector cable: 20.502
GR04.100-3N	Standard	2.5 - 8 (36.3 - 116)	NPN	22	50	Sensor: GR04.203N Connector cable: 20.503
GR04.100-3P	Standard	2.5 - 8 (36.3 - 116)	PNP	22	50	Sensor: GR04.203P Connector cable: 20.503
GR04.100S-1N	Sawtooth jaws straight	2.5 - 8 (36.3 - 116)	NPN	22	52	Sensor: GS04.002 Connector cable: 20.503
GR04.100S-1P	Sawtooth jaws straight	2.5 - 8 (36.3 - 116)	PNP	22	52	Sensor: GS04.001 Connector cable: 20.503



Technical data

Item no.	Jaw	Operating pressure [bar (psi)]	Sensor	Closing force at 6 bar (87 psi) [N]	Weight [g]	Accessories
GR04.100H-2N	HNBR pad	2.5 - 8 (36.3 - 116)	NPN	22	50	Sensor: GS04.006 Connector cable: 20.501 Connector cable: 20.502 HNBR pad: GR04.103-4 HNBR
GR04.100H-2P	HNBR pad	2.5 - 8 (36.3 - 116)	PNP	22	50	Sensor: GS04.005 Connector cable: 20.501 Connector cable: 20.502 HNBR pad: GR04.103-4 HNBR

Dimensions



GR04.100

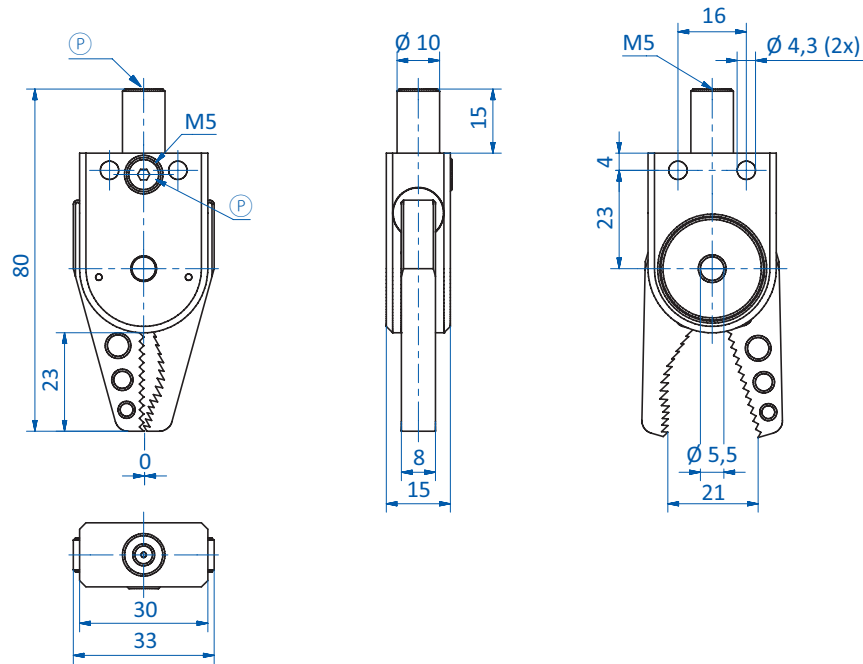
Ⓟ = Compressed air connection (P)



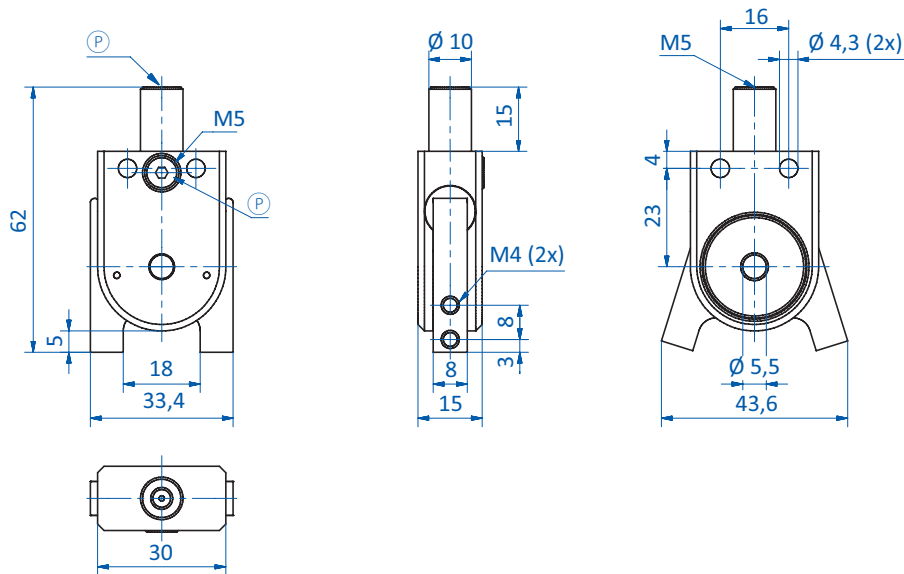
Grippers | Sprue grippers

Series 100 – sprue grippers, clamping diameter 10 mm – single-acting

Dimensions



GR04.100B

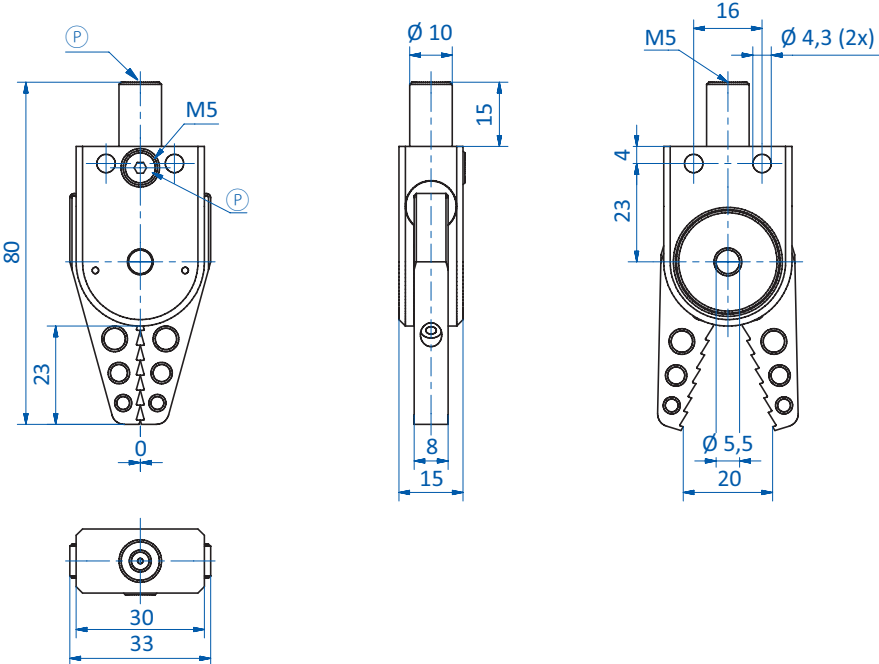


GR04.100U

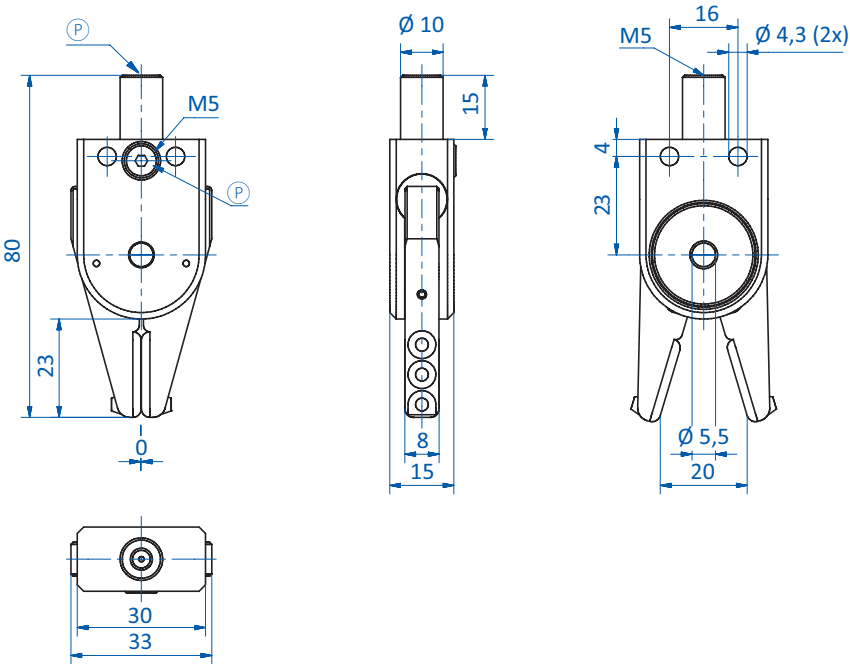
Ⓟ = Compressed air connection (P)



Dimensions



GR04.100S



GR04.100H

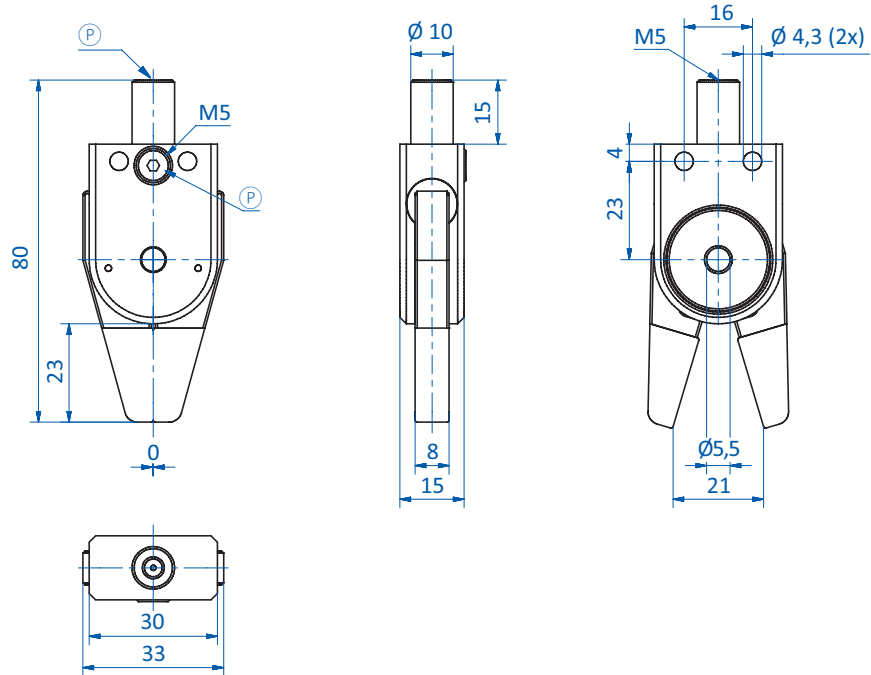
Ⓟ = Compressed air connection (P)



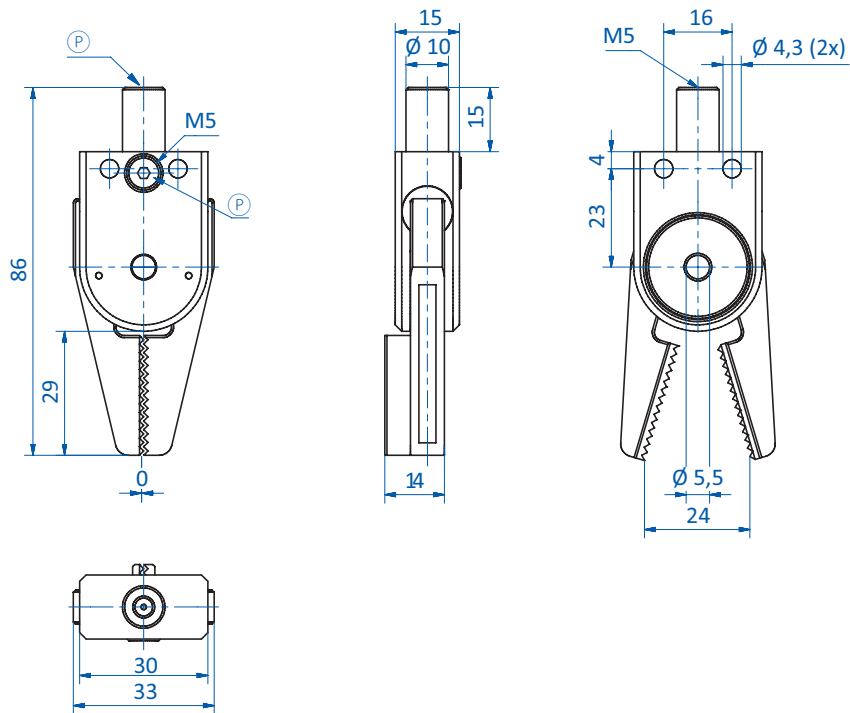
Grippers | Sprue grippers

Series 100 – sprue grippers, clamping diameter 10 mm – single-acting

Dimensions



GR04.100HNBR

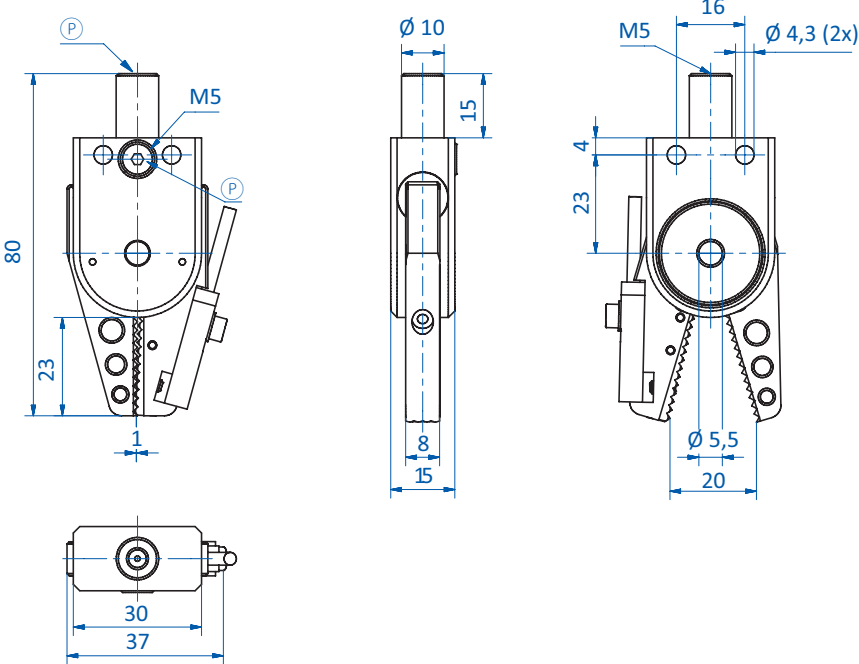


GR04.100XW

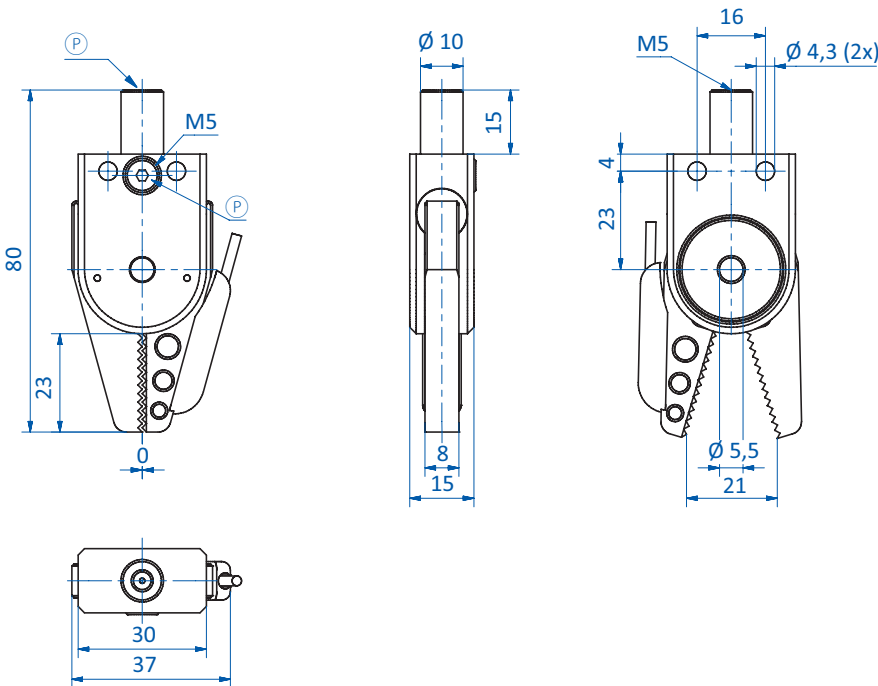
Ⓟ = Compressed air connection (P)



Dimensions



GR04.100-1N | GR04.100-1P



GR04.100-2N | GR04.100-2P

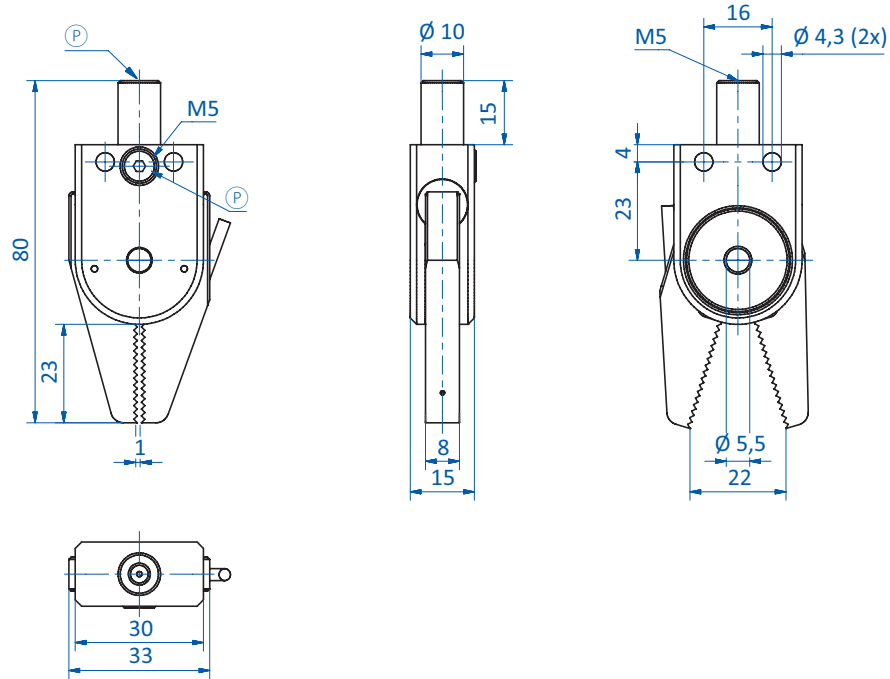
Ⓟ = Compressed air connection (P)



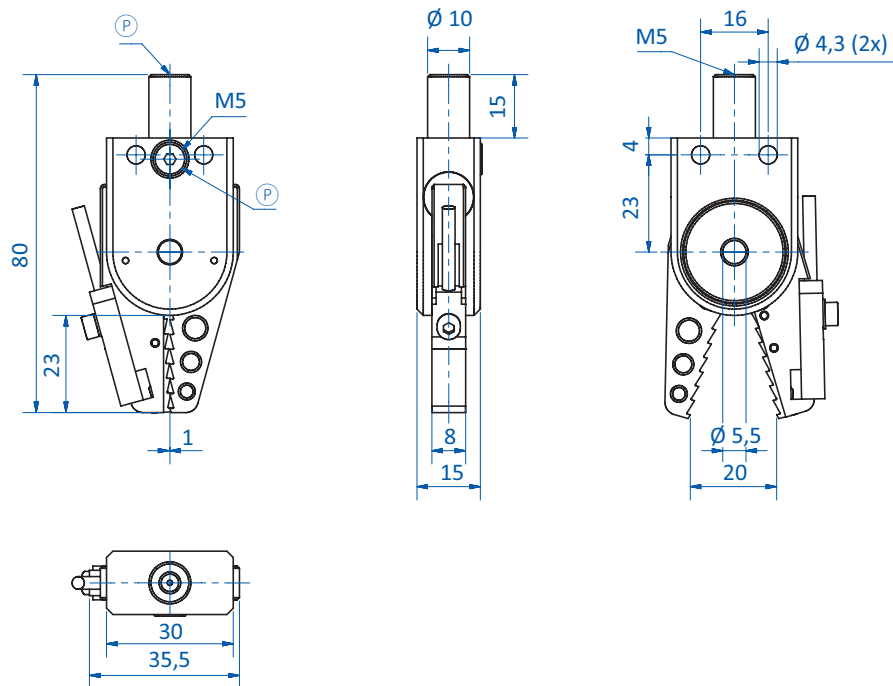
Grippers | Sprue grippers

Series 100 – sprue grippers, clamping diameter 10 mm – single-acting

Dimensions



GR04.100-3N | GR04.100-3P

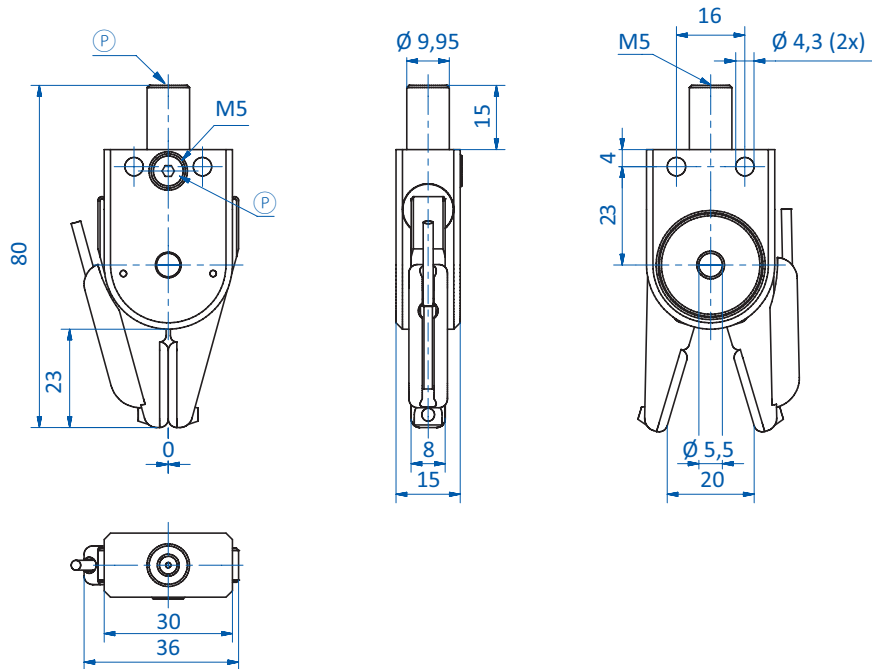


GR04.100S-1N | GR04.100S-1P

Ⓟ = Compressed air connection (P)



Dimensions



GR04.100H-2N | GR04.100H-2P

Ⓟ = Compressed air connection (P)