



# Grippers | Sprue grippers

Series 90 – miniature sprue grippers, clamping diameter 10 mm – single-acting

## Series 90 – miniature sprue grippers, clamping diameter 10 mm – single-acting



### Product notes

- > Grippers for small gates and limited space requirement
- > High gripping force and wide jaw opening
- > Housings and gripper jaws consist of an anodized, high-strength aluminum alloy
- > Model H with replaceable HNBR pads for gentle handling
- > Index 1N and 1P for direct sensor monitoring
- > Index 2N and 2P for teachable sensors
- > Index 3P for indirect sensor monitoring
- > Single-acting
- > Medium: filtered and oiled/non-oiled air

### Notes

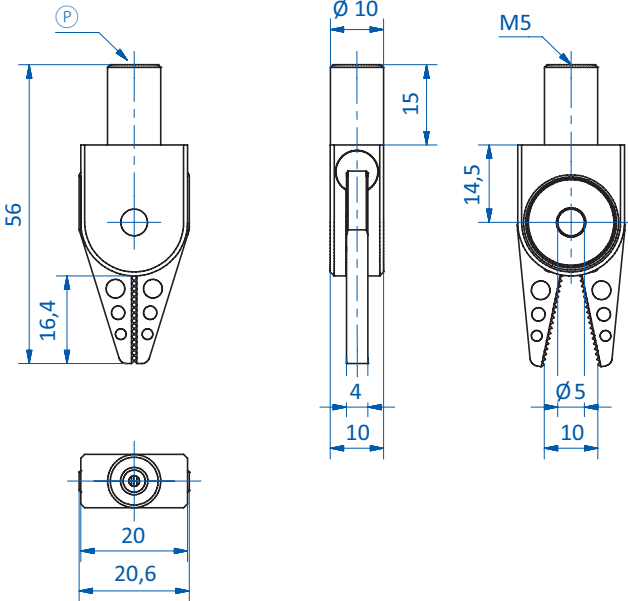
- > PNP Inverter 20.530 enables direct control of parts on gripper GR04.090-3N: Sensor triggers as soon as part is gripped
- > The converter 20.531 enables the use of grippers in NPN circuits

### Technical data

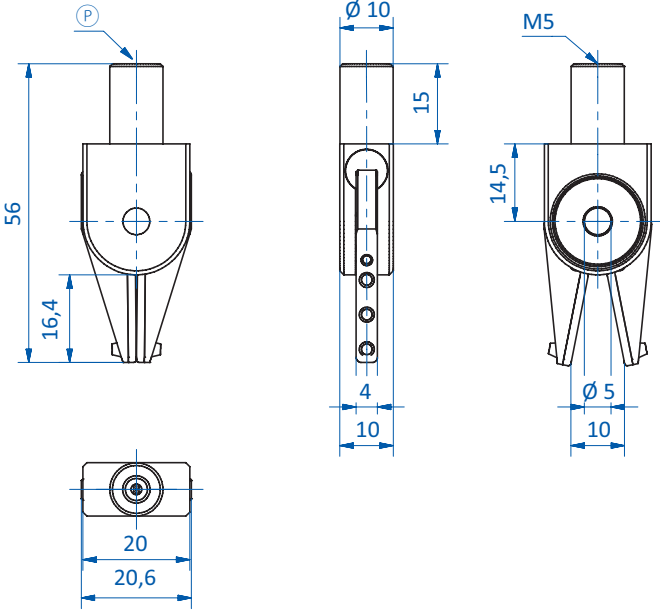
| Item no.            | Jaw design | Operating pressure [bar (psi)] | Sensor | Closing force at 6 bar (87 psi) [N] | Weight [g] | Accessories  |
|---------------------|------------|--------------------------------|--------|-------------------------------------|------------|--|
| <b>GR04.090</b>     | Standard   | 2.5 - 6 (36.3 - 87)            | --     | 15                                  | 14         | --   |
| <b>GR04.090H</b>    | HNBR pad   | 2.5 - 6 (36.3 - 87)            | --     | 15                                  | 15         | HNBR pad: GR04.090-4   |
| <b>GR04.090-1N</b>  | Standard   | 2.5 - 6 (36.3 - 87)            | NPN    | 15                                  | 16         | Plug connector: 20.527<br>Plug connector: 20.528<br>Connector cable: 20.503<br>Connector cable: 20.507 |
| <b>GR04.090-1P</b>  | Standard   | 2.5 - 6 (36.3 - 87)            | PNP    | 15                                  | 16         | Plug connector: 20.527<br>Plug connector: 20.528<br>Connector cable: 20.503<br>Connector cable: 20.507 |
| <b>GR04.090-3P</b>  | Standard   | 2.5 - 6 (36.3 - 87)            | PNP    | 15                                  | 14         | Connector cable: 20.503<br>Signal converter: 20.530<br>Signal converter: 20.531                        |
| <b>GR04.090H-2N</b> | HNBR pad   | 2.5 - 6 (36.3 - 87)            | NPN    | 15                                  | 17         | Connector cable: 20.501<br>Connector cable: 20.502<br>HNBR pad: GR04.090-4                             |
| <b>GR04.090H-2P</b> | HNBR pad   | 2.5 - 6 (36.3 - 87)            | PNP    | 15                                  | 17         | Connector cable: 20.501<br>Connector cable: 20.502<br>HNBR pad: GR04.090-4                             |



Dimensions



GR04.090



GR04.090H

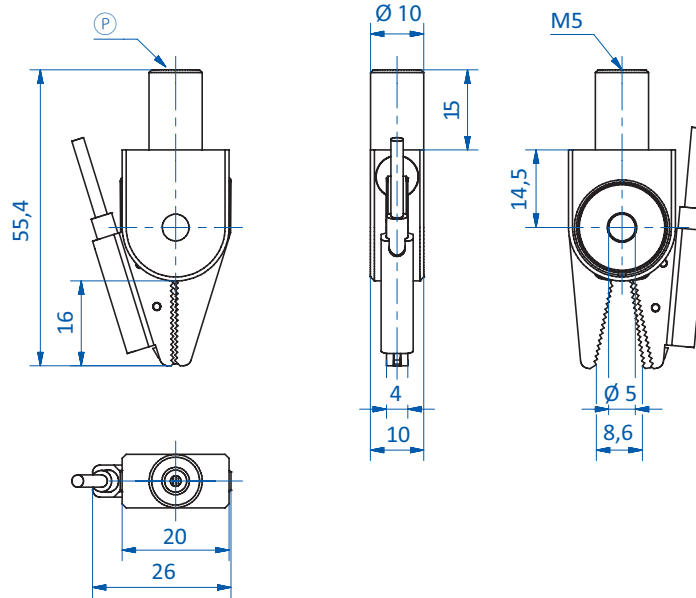
Ⓟ = Compressed air connection



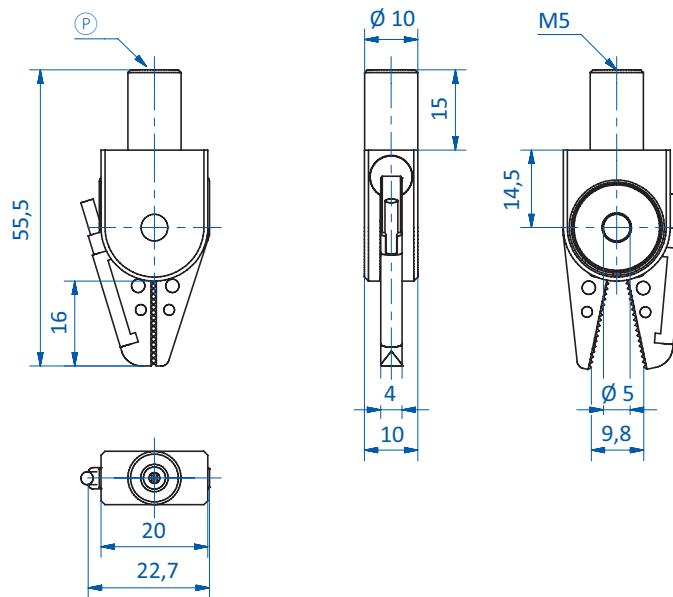
# Grippers | Sprue grippers

Series 90 – miniature sprue grippers, clamping diameter 10 mm – single-acting

## Dimensions



GR04.090-1N | GR04.090-1P

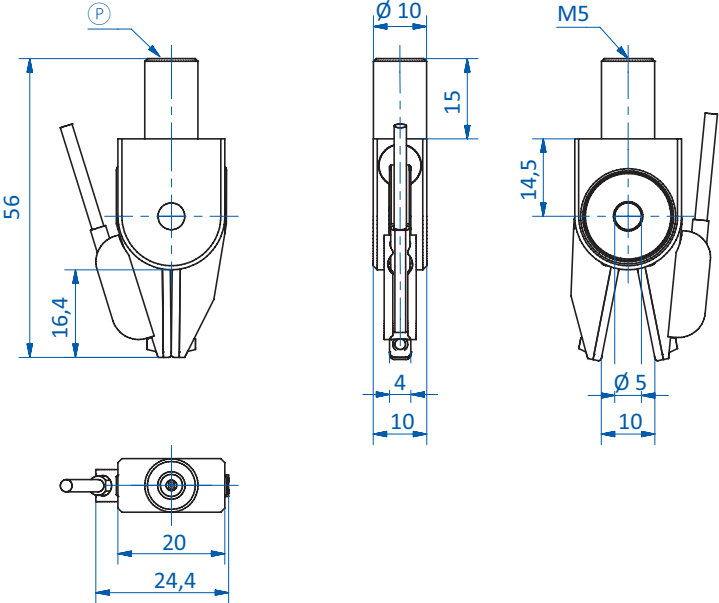


GR04.090-3P

Ⓟ = Compressed air connection



Dimensions



GR04.090H-2N | GR04.090H-2P

Ⓟ = Compressed air connection