



Grippers | Sprue grippers

Series 80 – miniature sprue gripper, clamping diameter 10 mm

Series 80 – miniature sprue gripper, clamping diameter 10 mm



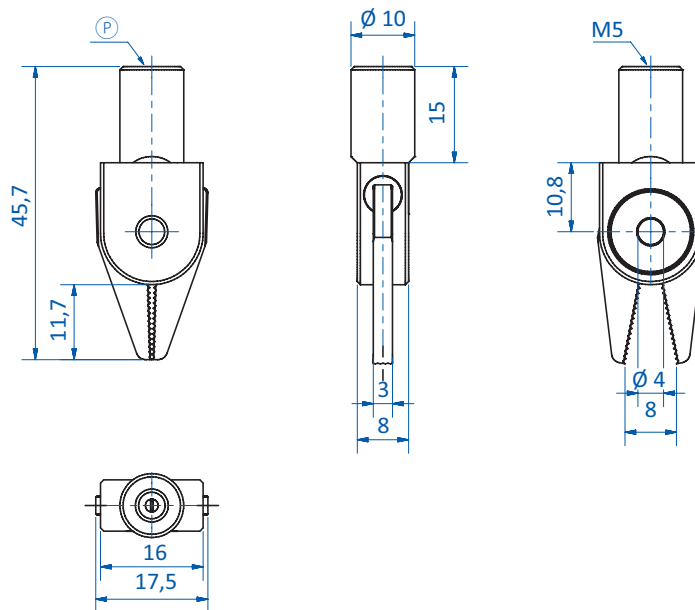
Product notes

- > Clamping diameter 10 mm
- > Body and jaws made of anodized aluminum alloy
- > Model SI with silicone pad suitable for food contact
- > Model H with replaceable HNBR pads for gentle handling
- > Index 1N and 1P for direct monitoring
- > Principle of operation: single-acting
- > Medium: filtered and oiled/unoiled air

Technical data

Item no.	Jaw	Operating pressure [bar (psi)]	Sensor	Closing force at 6 bar (87 psi) [N]	Weight [g]	Accessories
GR04.080	Standard	6 (87)	without	12	8	--
GR04.080SI	Silicon pad	6 (87)	without	12	8	Silicon pad GR04.080-11S
GR04.080H	HNBR pad	6 (87)	without	12	8	HNBR pad: GR04.080-11H
GR04.080-1N	Standard	6 (87)	NPN, direct monitoring, one freely adjustable switching point	12	12	Sensor: GS04.008 Connector cable: 20.503 Connector cable: 20.507
GR04.080-1P	Standard	6 (87)	PNP, direct monitoring, one freely adjustable switching point	12	12	Sensor: GS04.007 Connector cable: 20.503 Connector cable: 20.507

Dimensions

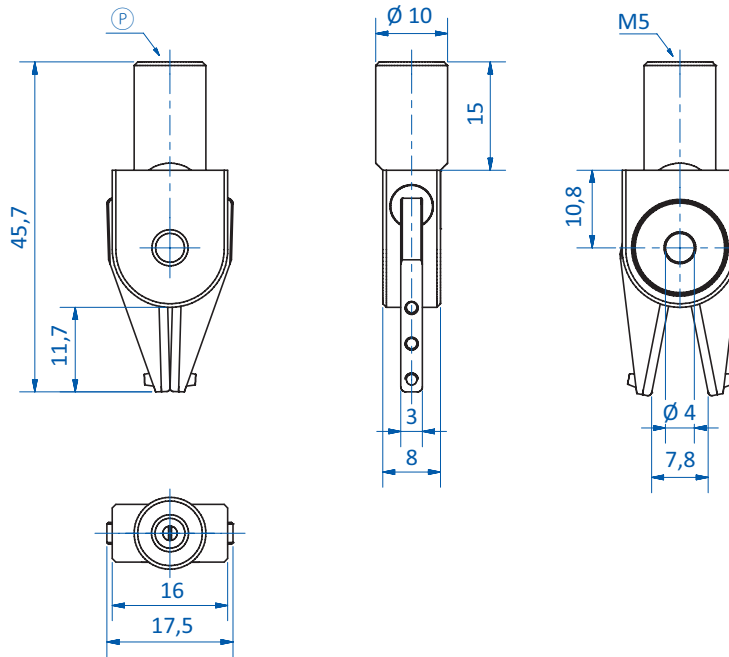


GR04.080

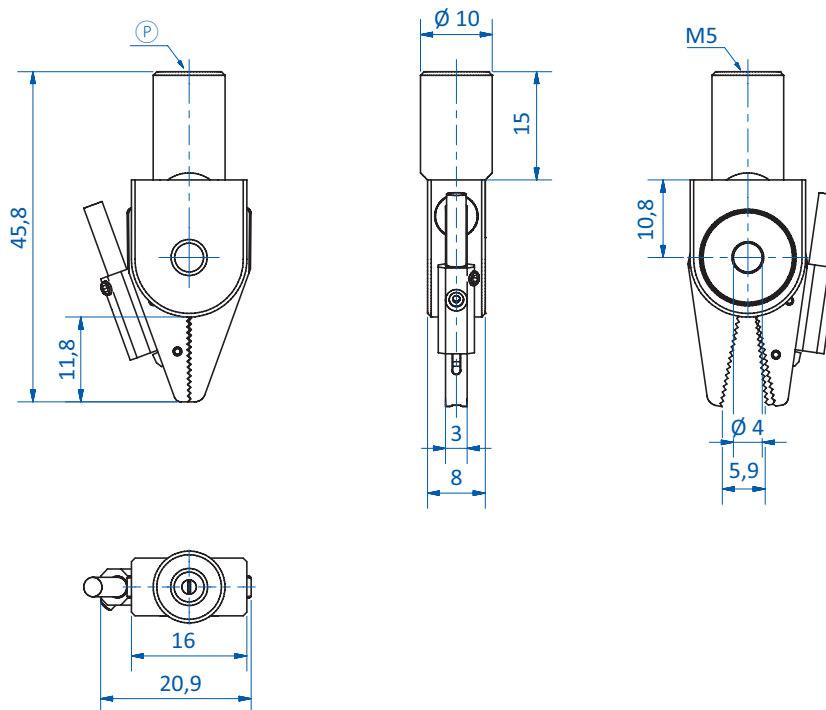
Ⓟ = Compressed air connection



Dimensions



GR04.080SI | GR04.080H



GR04.080-1N | GR04.080-1P

Ⓟ = Compressed air connection