

WARRE HIVE

ASSEMBLY QUESTIONS?
CUSTOMER SERVICE IS AVAILABLE DAILY!
HELLO@BEEBUILT.COM

ESTIMATED HIVE
ASSEMBLE TIME:
1 HOUR

TOOLS NEEDED:

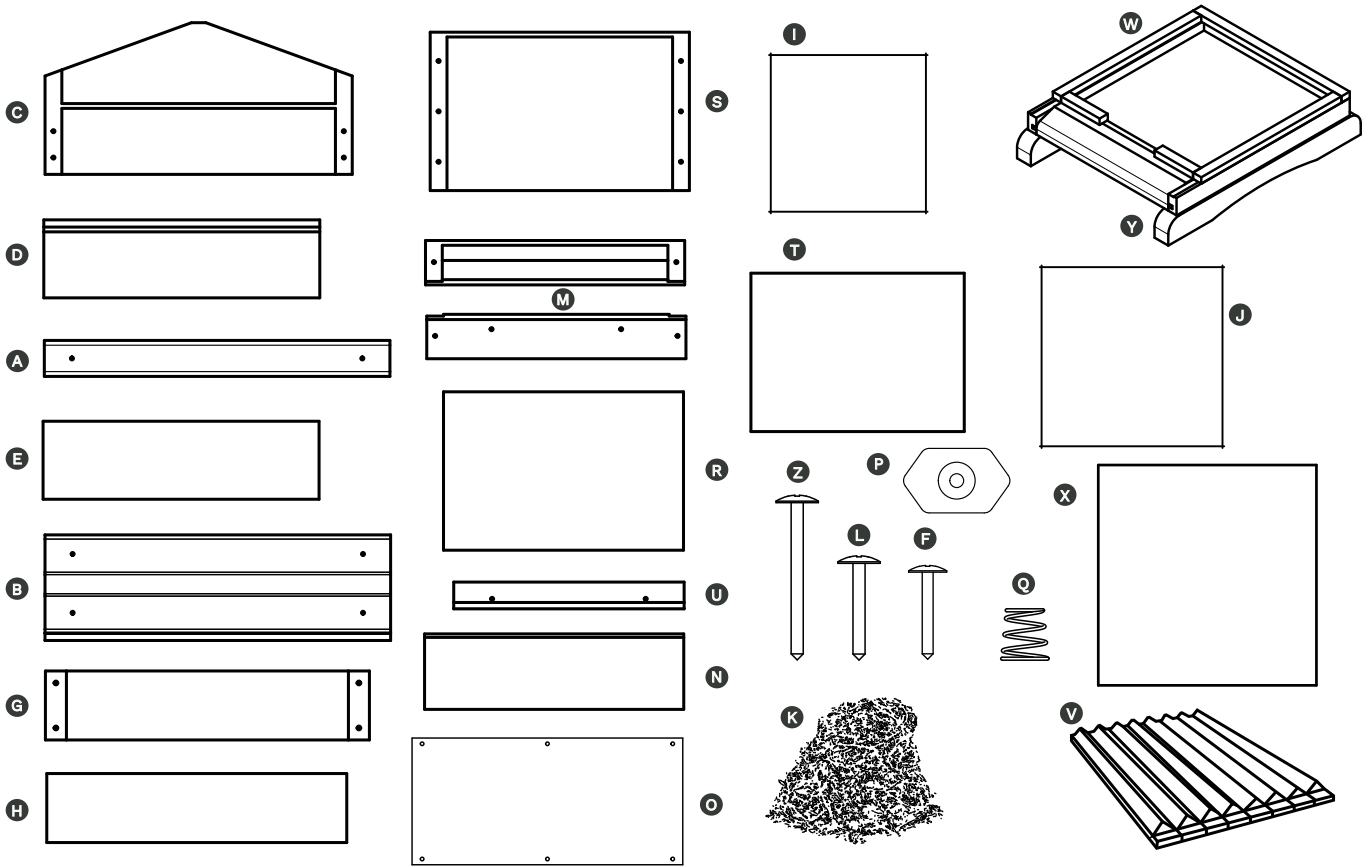
- DRILL WITH PHILLIPS BIT
- HAMMER
- WOOD GLUE
- SILICONE OR CAULK

OPTIONAL TOOLS:

- STAPLES
- SMALL NAILS
- CLAMP

PARTS INCLUDED:

- | | | | |
|-------------------------------|----------------------------------|----------------------------|-------------------------------------|
| A 1 RIDGE CAP | H 2 SHORT QUILT SIDES | O 1 PLEXI GLASS | V 16 TOP BARS |
| B 4 SHINGLES | I 1 SMALL CANVAS | P 2 WALNUT LATCHES | W 1 FLOOR W/ SCREENED BOTTOM |
| C 2 PEAKED ROOF ENDS | J 1 LARGE CANVAS | Q 2 SPRINGS | X FLOOR INSERT |
| D 2 ROOF SIDE RAILS | K 1 BAG OF SHREDDED CEDAR | R 1 LONG BOX END | Y 2 FEET |
| E 3 ROOF PANEL INSERTS | L 8 2" SCREWS | S 2 WINDOW SIDES | Z 4 3" SCREWS |
| F 30 1 5/8" SCREWS | M 2 WINDOW RAILS | T 4 SHORT BOX SIDES | |
| G 2 LONG QUILT SIDES | N 1 WINDOW COVER | U 4 HANDLES | |



AT LEAST 5% OF OUR PROFITS ARE CONTRIBUTED TO ORGANIZATIONS DOING GOOD FOR HONEY BEES AND OTHER POLLINATORS.

GRAB A FAVORITE BEVERAGE, PUT ON SOME MUSIC, AND LET'S BUILD THIS!

OUR HIVES ARE PRECISION MILLED & HANDMADE IN PORTLAND, OREGON FROM DOUGLAS FIR, SUGAR PINE, AND WESTERN RED CEDAR.

PEAKED ROOF

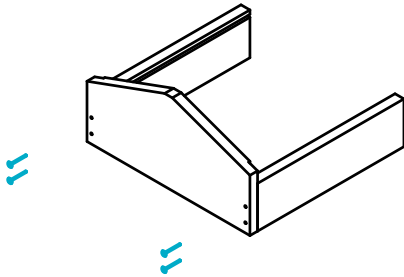
GATHER THE FOLLOWING PARTS & HARDWARE:

- A 1 RIDGE CAP
- B 4 SHINGLES

- C 2 PEAKED ROOF ENDS
- D 2 ROOF SIDE RAILS

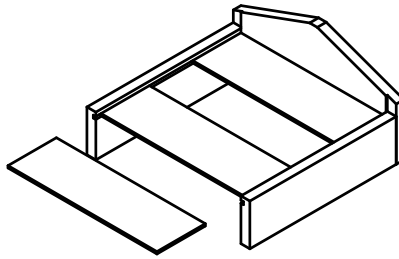
- E 3 ROOF PANEL INSERTS
- F 18 1 5/8" SCREWS

1



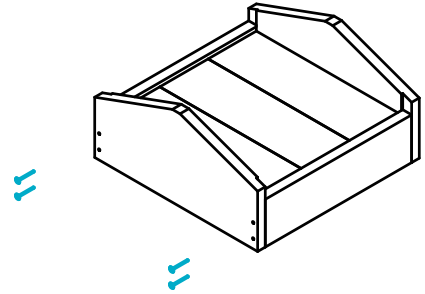
Attach the two roof side rails to one peaked roof end. If you have a clamp, use it to attach these pieces together. Make sure the grooves on all three pieces are aligned. Use a screwdriver or a hand drill to screw the pieces into place.

2



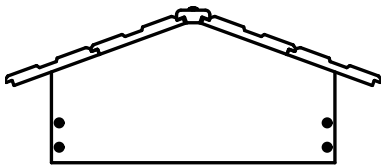
Slide the roof insert panels into the groove. Turn the pieces vertically to slide the insert down into grooves if having difficulty.

3



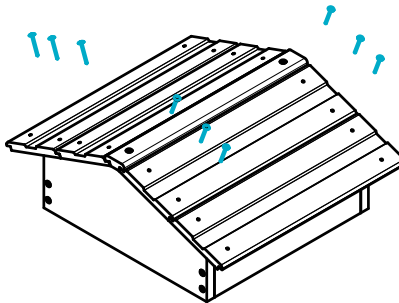
Attach the second peaked roof end to the open end of the side rails. The roof insert should still fit neatly into the peaked roof. Use your drill to secure peaked roof side to side rails.

4



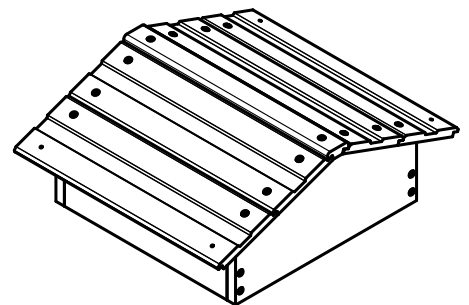
To ensure that all pieces fit together, attach the ridge cap after shingles are attached to the roof. After attaching the top shingles first, you will have a peak and rest under the ridge cap. Line up one shingle with the flat edge on top with the peaked roof end.

5



Once this is lined up, attach one shingle at a time with the pre-drilled holes. Fit the ridge cap on the flat surfaces of the peaked roof ends. The ridge cap fits neatly in between the top shingles. If there are gaps, realign the shingles to minimize.

6



To attach the bottom lower shingles, slide the foot edge under the roof side of the attached shingles. Use the pre-drilled holes to attach the last two shingles.

The bottom shingles will have two extra holes, therefore, only two screws are needed.

SEAL THE PIECES OF WOOD WITH CAULK. THIS ENSURES A WATERTIGHT SEAL & INSULATION FOR THE BEES.

CAUTION: THE RIDGE CAP WILL NOT FIT IF THE SHINGLES ARE NOT ORIENTED CORRECTLY.

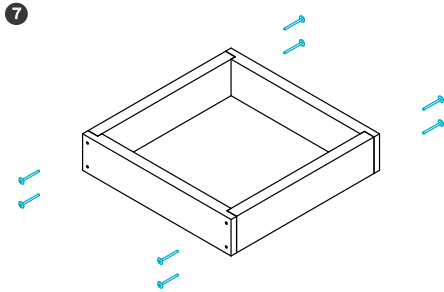
QUILT BOX

GATHER THE FOLLOWING PARTS & HARDWARE:

- G 2 LONG QUILT SIDES
- H 2 SHORT QUILT SIDES
- I 1 SMALL CANVAS

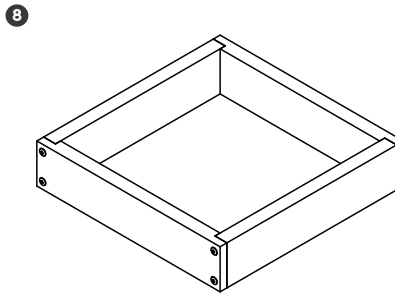
- J 1 LARGE CANVAS
- K 1 BAG OF SHREDDED CEDAR
- L 8 2" SCREWS

- NOT INCLUDED -
- STAPLES
- SMALL NAILS



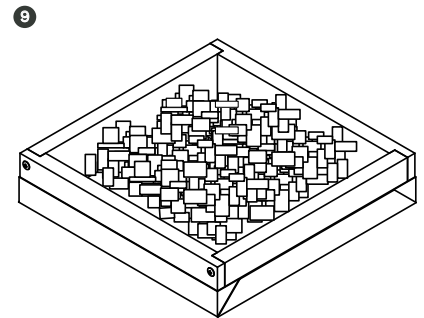
7

Screw together 2 long quilt sides to the 2 short quilt sides using 8 screws (2 per corner). Matching panels should be across from one another. Lay large canvas piece on flat surface. Center quilt box on top of the canvas. Fold the canvas over the side as if you were wrapping a present.



8

Pull canvas up the outside of the quilt box and attach with at least 3 staples on each side (or whichever means you've chosen to secure it). For these instructions, we will be using a staple gun which is fast and easy to use!



9

Once completed, fill with wood shavings or some other absorbent, organic material. Hold on to the small canvas. After you assemble the boxes it will lay freely between the quilt box and the top bars of the top box.

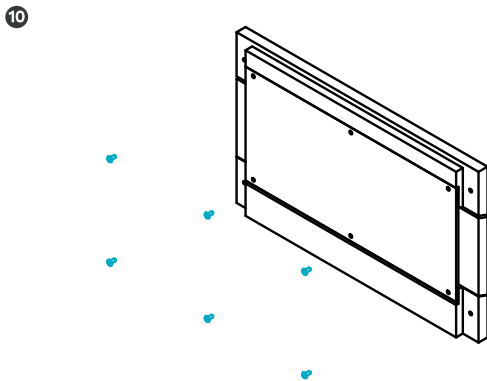
HIVE WINDOW

GATHER THE FOLLOWING PARTS & HARDWARE:

- M 1 WINDOW TOP RAIL
- M 1 WINDOW BOTTOM RAIL
- N 1 WINDOW COVER

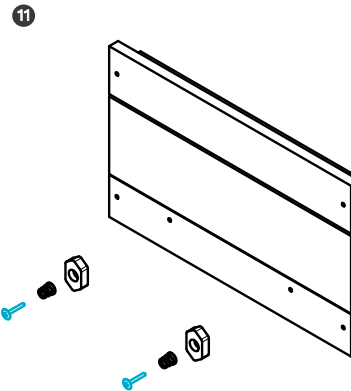
- O 1 PLEXI GLASS
- 6 3/8" SCREWS
- P 2 WALNUT LATCHES

- F 2 SPRING INSERT SCREWS
- Q 2 SPRINGS



10

Lay the window rails face down, grooved side up and the plexi glass down into the window rails, lining up the edges so there is a 1/16" gap between them (this allows for wood expansion). Place all 6 self-tapping screws in each pre-drilled hole and screw them in.



11

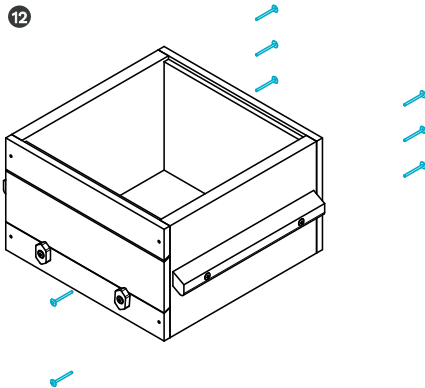
Locate the pre-drilled holes for the walnut latches on the bottom window rail. Insert the springs into the hole on the latches, then insert the spring. Insert screws into the springs. Screw them into place. If these latches are difficult to turn once attached, loosen the screws gently by a couple of turns.

DIFFERENT MATERIALS CAN BE USED TO INSULATE YOUR QUILT BOX I.E. BURLAPS, CRUMPLED PAPER, OR DRIED LEAVES. IT IS IMPORTANT TO REPLACE YOUR INSULATION YEARLY OR AS NEEDED.

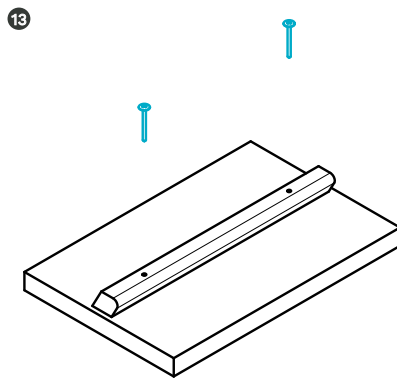
HIVE BOXES

GATHER THE FOLLOWING PARTS & HARDWARE:

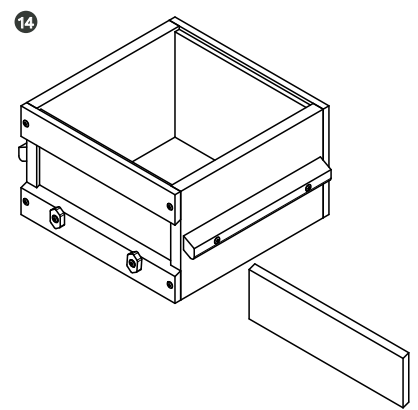
- | | | |
|----------------------------|-------------------------------------|-------------------------|
| R 2 LONG BOX ENDS | U 4 HANDLES | X 1 FLOOR INSERT |
| S 2 WINDOW SIDES | F 12 1 5/8" SCREWS | Y 2 FEET |
| T 4 SHORT BOX SIDES | V 16 TOP BARS | Z 4 3" SCREWS |
| | W 1 FLOOR W/ SCREENED BOTTOM | |



Screw together 1 window side and 1 long box end to 2 short box sides using 12 screws (6 screws per long box end, 4 screws per window side). The box sides need to be flush with the bottom and top rail and should be secured on before the plexi window. Do this for both boxes.



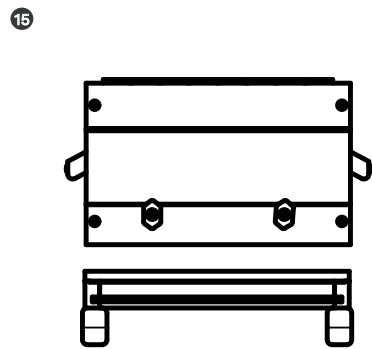
Attach 1 handle centered to the outside of each short box side using 2 screws each. Make sure they slope downward away from the top of the box.



Once these pieces are assembled, flip the window over and slide the window cover in place. There should be no gaps between any of these pieces. This ensures light will not enter the hive once the window is secured.

COMBINE

WE RECOMMEND FACING YOUR WINDOW SIDES OPPOSITE OF THE ENTRANCE AS TO NOT INTERFERE WITH THE ENTRANCE OR BEES FLIGHT PATH WHEN LOOKING THROUGH WINDOWS.



Evenly space 8 top bars into each box. Place screened floor on top of feet and then attach feet using 2 3" screws on each side through the pre-drilled holes in the floor.

- 16** Stack in this order: floor board, boxes with top bars inside, small canvas, quilt box with insulation, and finally the roof.

A NOTE ON TUNG OIL

Tung oil is a natural sealant, allowing the wood to retain its natural beauty and providing an extra barrier against the elements. We encourage a chemical-free tung oil treatment to the entirety of the outside of your assembled hive. Applying the oil after assembly ensures you won't accidentally apply any to the inside of the hive. Tung oil takes time to dry and can be messy so consider application once the hive has been placed in its final location. For best results we recommend sealing your hive prior to any extended outside exposure. Do not apply until you are finished assembling your hive! Tung oil can only be applied to the outside of your hive, never ever the inside or inside joints—the smell could make your bees flee!

MASTER AND SEASONED BEEKEEPERS AGREE, SO MUCH CAN BE LEARNED FROM YOUR HIVE SIMPLY BY WATCHING THE BEES COME AND GO!

ANY RAGS USED FOR TUNG OIL APPLICATION SHOULD BE PROPERLY DISPOSED OF IMMEDIATELY