

# FRAME ASSEMBLY

OUR COMB GUIDE FRAMES COME WITH AN OPTIONAL, INSERT-ABLE WEDGE COMB GUIDE TO MAKE YOUR FRAMES FOUNDATION-LESS OR FOUNDATION-CAPABLE, WHICHEVER YOU PREFER!

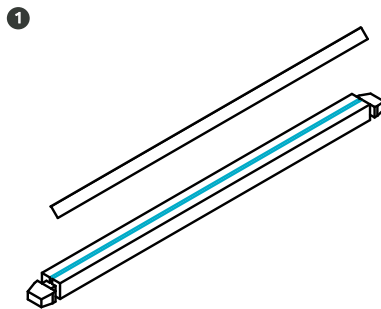
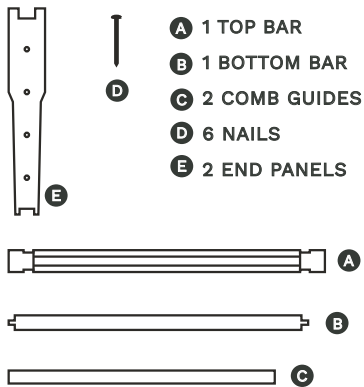
ASSEMBLY QUESTIONS?  
CUSTOMER SERVICE IS AVAILABLE DAILY!  
[HELLO@BEEBUILT.COM](mailto:HELLO@BEEBUILT.COM)

ESTIMATED HIVE ASSEMBLE TIME:  
**15 MIN**

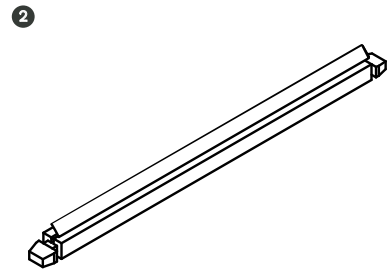
TOOLS NEEDED:  
**HAMMER**

OPTIONAL:  
**WOOD GLUE**

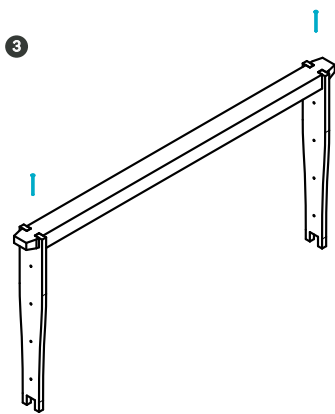
## PARTS INCLUDED:



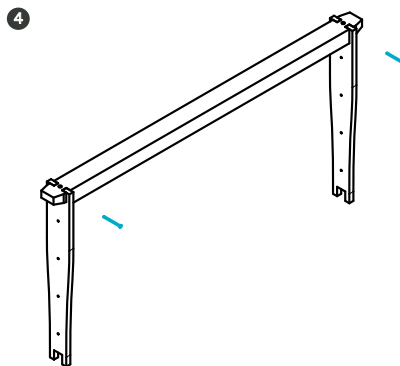
**1**  
To make your frames foundation-less, simply place a bead of glue in the groove located on the top bar of one frame and bottom bar.



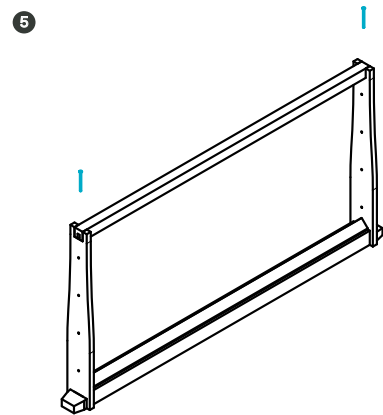
**2**  
Insert the comb guide into the groove.



**3**  
Attach the frame sides to the top. Using 2 long nails, nail one down through each end of the top bar into the end panels on one side.



**4**  
Using 2 long nails, nail one through the side of each end panel into the top bar (on the opposite side of where you nailed in the first 2 nails). This will ensure that the frame doesn't pull apart once its glued in by the bees with propolis.



**5**  
Attach the bottom bar to the frame sides. Using the last two nails, put one nail into the center of the bottom bar, affixing it to the frame sides.

AT LEAST 5% OF OUR PROFITS ARE CONTRIBUTED TO ORGANIZATIONS DOING GOOD FOR HONEY BEES AND OTHER POLLINATORS.