



## Mk8 Euro IQ Tail Light Harness Install Guide

This MK8 Tail Light Harness Kit is engineered for ease of use, incorporating a "jumper harness" for a hassle-free installation that connects to your vehicle without the necessity of cutting or altering the original wiring harness.

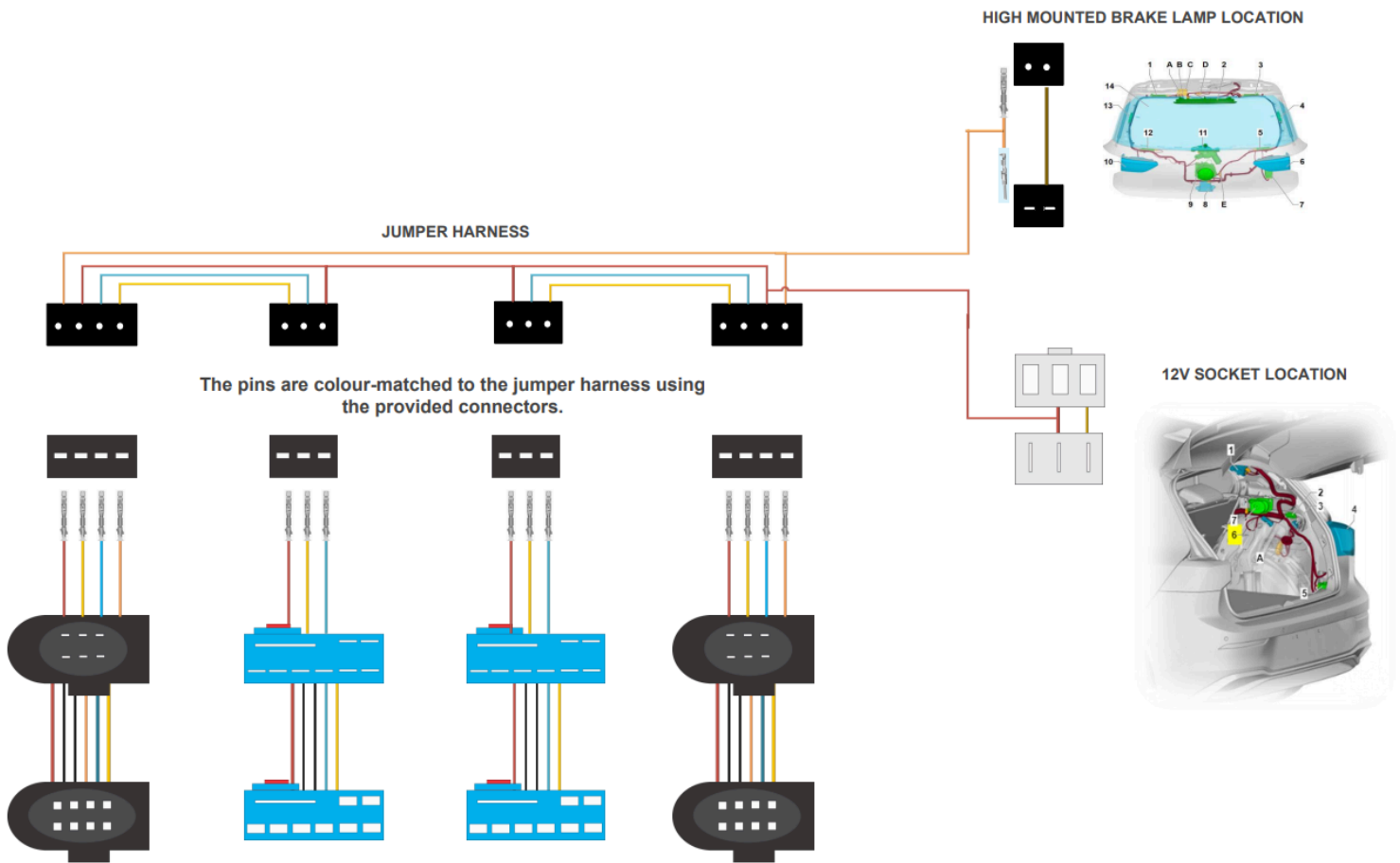
The **RED** line depicts the harness stretching from the jumper harness to the 12-volt outlet situated in the right panel area, while the **WHITE** lines illustrate the harnesses linking the inner and outer Tail lights, threading through the boot up to the headliner area. (Fig. 1)

To safeguard the pins from any installation damage and to facilitate the routing process of the harness through the grommets, each harness is provided with high-temperature tape.

## HARNESS ROUTING

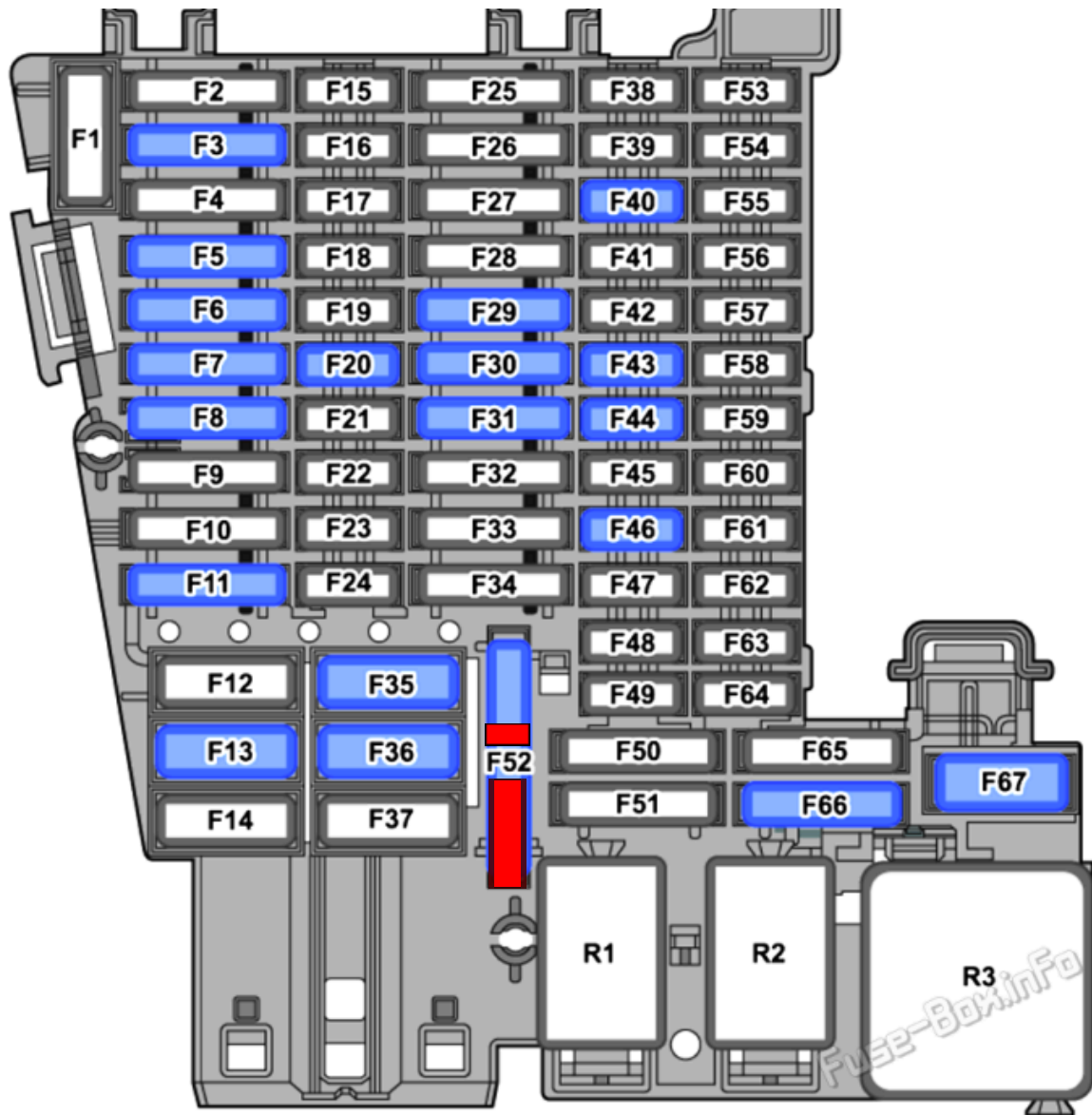


**Fig. 1**



**Fig. 2**

The above illustration (Fig. 2) is a basic representation of the harness. Each pin will be inserted into the corresponding connector in the position where the wire colors match. **DO NOT** insert the pins according to the positions in Fig. 2, these pins are extremely fragile, and can easily be damaged. Once inserted, they are *not* intended to be removed. The inner and outer harnesses are not side specific.



**Fig. 3**

Fuse 52 in the fuse box under the dashboard (LH side) will need to be moved down 1 position. This will provide constant power. Insert the fuse as shown in **RED**.