



CAR FILLING



DISPENSERS



PUMPS



METERS



NOZZLE METERS



NOZZLES

MISS FILLING DEVICE

FEATURES

- 19mm OD
- Compatible to ISO22241-3
- Universal
- Working Temp: -20°C to +85°C

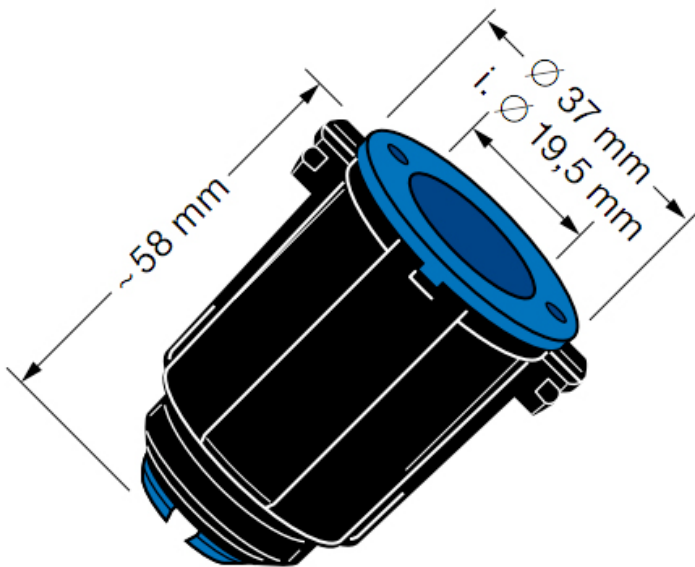
Adblue DEF (Diesel Exhaust Fluid) MIS-FILLING DEVICE Magnetic Adaptor for filling any vehicle requiring DEF / Adblue in the vehicle.

The AdBlue™ magnet is for the prevention of mis-filling AdBlue™ into a diesel vehicle. This universal magnet filler neck collar fits into any vehicles AdBlue™ fill point so when a magnetic spout nozzle is used, such as ZVA AdBlue™ Nozzle in service stations, it only allows AdBlue™ into the correct fill chamber preventing miss-filling into any other fill point.

The fixed magnetic field within the filler neck opens the magnet switch in the spout.

For the refuelling of other containers push MIS-FILLING Magnetic Adaptor over the 19mm OD nozzle spout then pull the trigger. Such as jerry cans for long trips.

Don't pay high prices for 20L drums of Adblue, buy a nozzle & fill your own container from the bowser.



MAGNETIC ADAPTOR

