



CAR FILLING



DISPENSERS



PUMPS



METERS



NOZZLE METERS



NOZZLES

# SELF SERVICE MC

## FEATURES

- CONTROLLED ACCESS
- BUILT-IN FILTER
- ALL-IN-ONE EQUIPMENT
- COMPACT DESIGN
- SSM2018 SOFTWARE ON REQUEST

The PIUSI Self Service MC is the combination of the PIUSI MC technology and the Suzzarablue product range. This AdBlue® dispenser is composed of the MC panel, the Suzzarablue pump, the SB325 nozzle, the K24 pulse meter and 3D filter.



SELF SERVICE MC

## PERFORMANCE

UP TO

**32 L/MIN**

FLOW RATE

UP TO

**80**

USERS

**± 1%**

ACCURACY



## PACKAGING

CODE	WEIGHT		PACKAGING		N. BOXES/EUROPALLET	
	KG	LBS	MM	PCS/BOX		
FO074400A	50	110	1478X488X400	1	6*	4



FILTRATION



FLUID MONITORING



HOSE REELS



ACCESSORIES



MERCHANDISE



AIR



ANTIFREEZE



AdBlue®



BIODIESEL



DIESEL



FOOD



GASOLINE



GREASE



KEROSENE



OIL

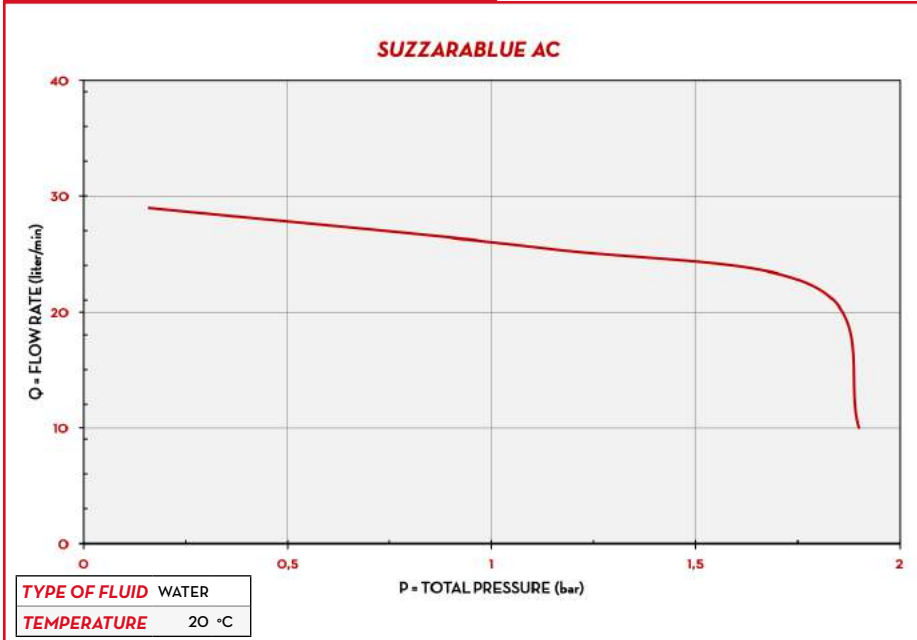


WATER



WINDSCREEN

**CHARTS**



**IN THE BOX**

- SELF SERVICE MC UNIT
- DELIVERY HOSE
- SB325\_X NOZZLE
- INSTRUCTION MANUAL

**DETAILS**



SB325\_X NOZZLE

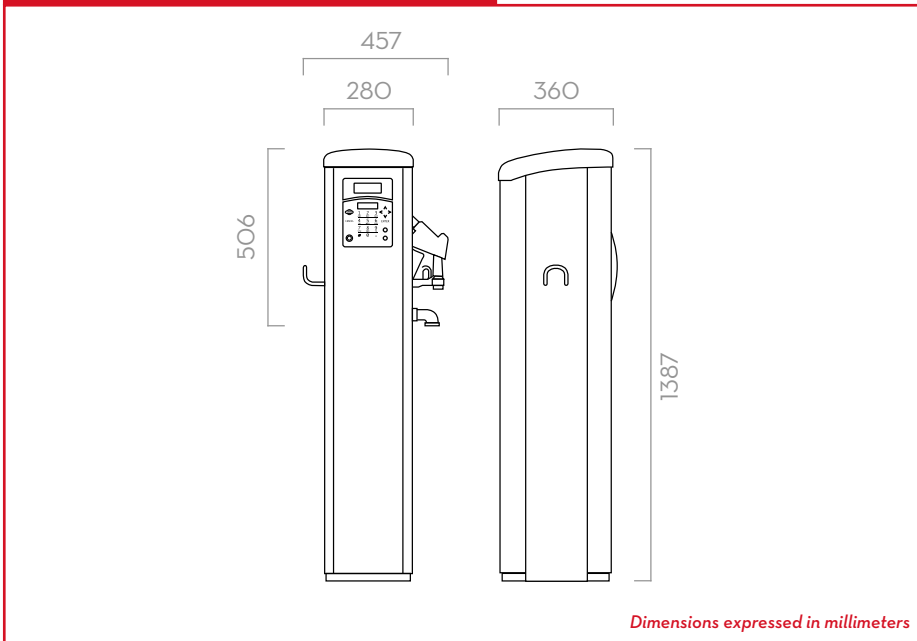


3D FILTER



SSM2018 (PAG. XX)

**DIMENSIONS**



**MATERIALS**

- **PUMP:**  
SUZZARBLUE PUMP AC PAG. 40
- **METER:**  
K24 METER PAG. 64
- **NOZZLE:**  
SB325\_X PAG. 84
- **FILTER:**  
3D FILTER PAG. 94

**TECHNICAL DATA**

CODE	DESCRIPTION	FLUIDS TYPE	FLOW-RATE		VOLTAGE			METER MOD.	NOZZLE TYPE	FILTER 3D FILTER	INLET BSP	DELIVERY HOSE LENGHT
			L/MIN	GPM	AC V/HZ DC VOLT	POWER WATT	AMP. MAX.					
FO074400A	SELF SERVICE 70 MC ADBLUE		32	8,5	230/50	400	1,95	K24	SB325	YES	3/4"	6 M