



DISPENSERS



PUMPS



METERS



NOZZLE



FILTRATION



FLUID
MONITORING

PITSTOP

FEATURES

- **READY TO INSTALL**
- **VERSATILITY**
- **STURDY STRUCTURE**

The PIUSI PITSTOP is a dispenser unit with two DC pumps, automatic hose reel, water filter and automatic nozzle with 14 meter. hose integrated into a sturdy supporting structure. Easy to install, versatile and compact, this dispenser is the all-in-one solution for setting up a perfect mobile refueling unit.

PERFORMANCE

UP TO

45 L/MIN

FLOW-RATE

12/24V

VOLTAGE

POWER

14MT

HOSE LENGTH

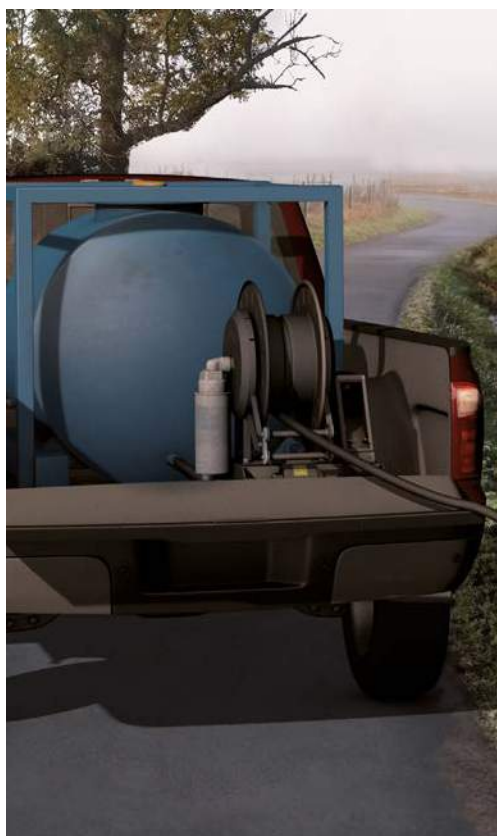
HOSE REEL

200β/30μ

FILTRING CAPACITY



PITSTOP DC



PACKAGING

CODE	WEIGHT		PACKAGING		
	KG	LBS	MM	INCH	PCS/BOX
FO0212000	45	99	595X465X670	23,4X13,5X24,4	1
FO0213000	45	99	595X465X670	23,4X13,5X24,4	1



HOSE REELS



ACCESSORIES



MERCHANDISE



AIR



ANTIFREEZE



AdBlue®



BIODIESEL



DIESEL



FOOD



GASOLINE



GREASE



KEROSENE



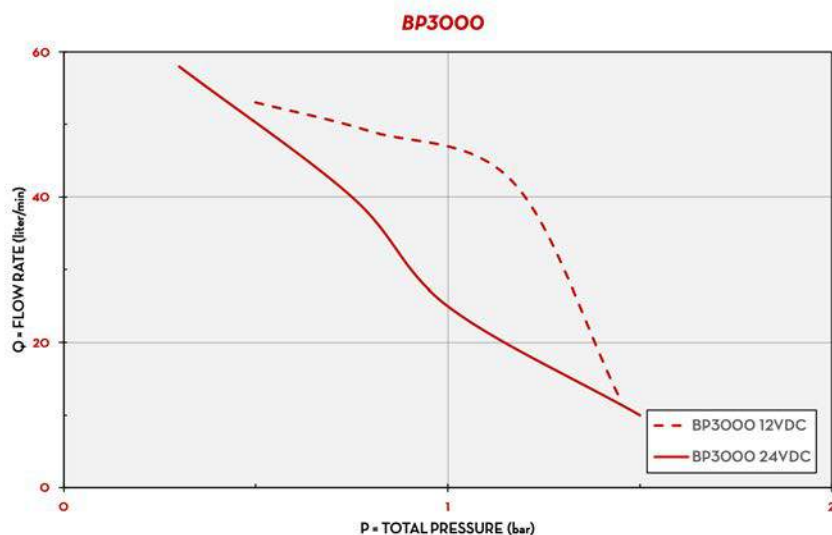
OIL



WATER

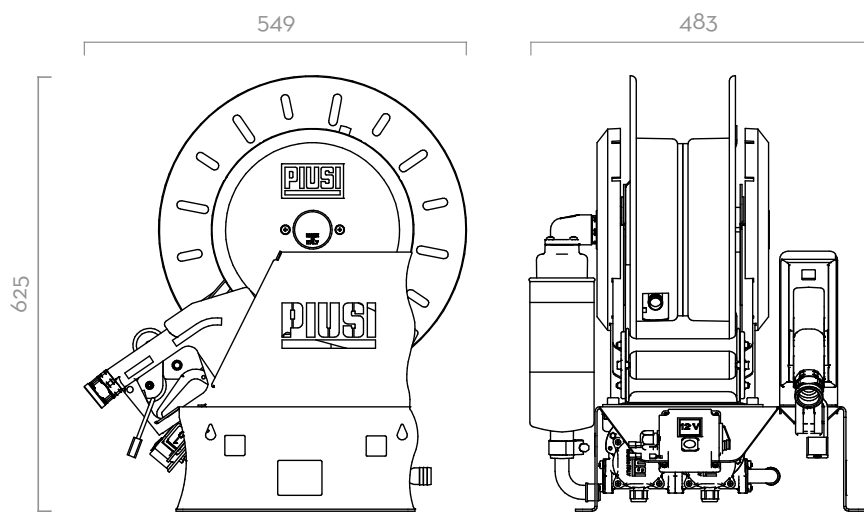


WINDSCREEN

CHART

TYPE OF FLUID DIESEL

TEMPERATURE 20 °C

DIMENSIONS

Dimensions expressed in millimeters

IN THE BOX

- PITSTOP UNIT
- AUTOMATIC NOZZLE
- FILTER
- INSTRUCTION MANUAL

DETAILS

BUILT-IN DC PUMPS



PAD LOCK



ON/OFF SWITCH



ADJUSTABLE ARM

COMPONENTS

- **PUMP:**
BP3000 PAG. 74
- **FILTER:**
WATER CAPTOR PAG. 128
- **NOZZLE:**
A60 PAG. 118

TECHNICAL DATA

CODE	DESCRIPTION	FLUIDS TYPE	FLOW-RATE		VOLTAGE			PUMP		DUTY CYCLE	NOZZLE	HOSE		INLET
			L/MIN	GPM	AC V./HZ DC VOLT	POWER WATT	AMP. MAX.	TYPE	N°			MINUTES	TYPE	
FO0212000	PIUSI PITSTOP DC 12V	D	45	11,9	12	400	33	BP 3000	2	30	AUT.	14M	3/4"	1"
FO0213000	PIUSI PITSTOP DC 24V	D	45	11,9	24	620	26	BP 3000	2	30	AUT.	14M	3/4"	1"