



KIT LUBE



PUMPS



METERS



NOZZLE METERS



NOZZLE



WASTE OIL EQ.

PISTOL-ONE

FEATURES

- HIGH PRESSURE RATIO
- LOW PRESSURE DROP
- STURDY AND DURABLE
- SURFACE POLISHING PROTECTION
- HIGH PERFORMANCE SWIVEL
- BUILT-IN LEVER LOCK

PERFORMANCE

up to
90 L/MIN
(up to 23,8 gpm)

FLOW-RATE

100 BAR

PRESSURE

EN.

The Piusi Pistol-one is a manual nozzle suitable for the delivery of a wide range of oils at high flow rates. Its sturdy design makes this nozzle suitable for heavy duty operations.



PISTOL-ONE



with flexible spout

with rigid spout



PACKAGING

CODE	WEIGHT		PACKAGING			
	KG	LBS	MM	INCH	PCS/PALLET	PCS/BOX
FO0640000	1,3	2,9	300X180X80	11,8X7,1X3,1		1
FO0640010	1,9	4,2	300X180X80	11,8X7,1X3,1		1
FO0640020	2,0	4,2	300X180X80	11,8X7,1X3,1		1



FILTERING



OIL MONITORING



HOSE REEL



ACCESSORIES



MERCHANDISE



AIR



ANTIFREEZE



BIODIESEL



DIESEL



FOOD



GASOLINE



GREASE



KEROSENE



OIL



AdBlue[®]

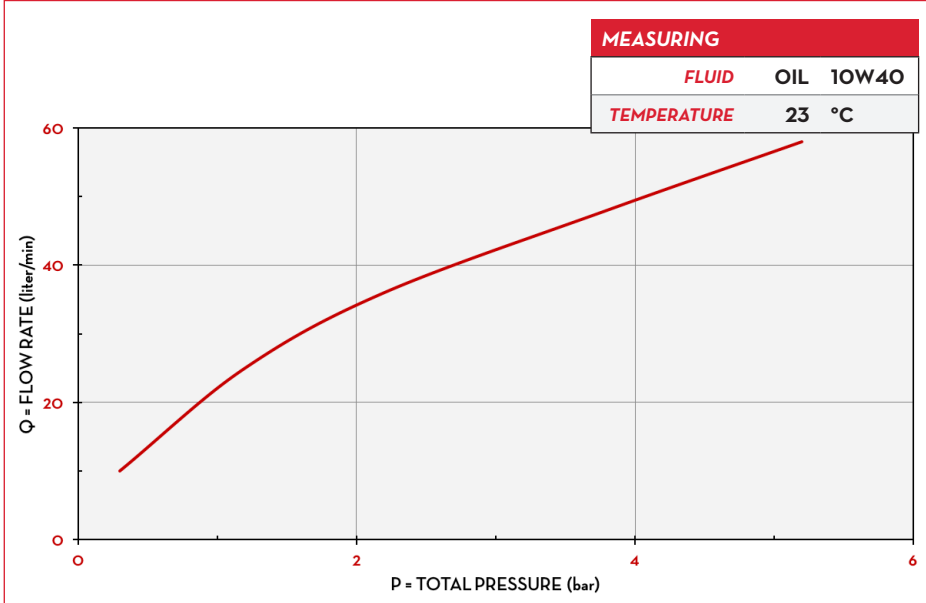


WATER



WINDSCREEN

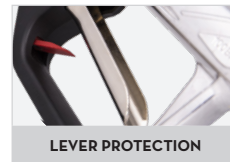
CHARTS



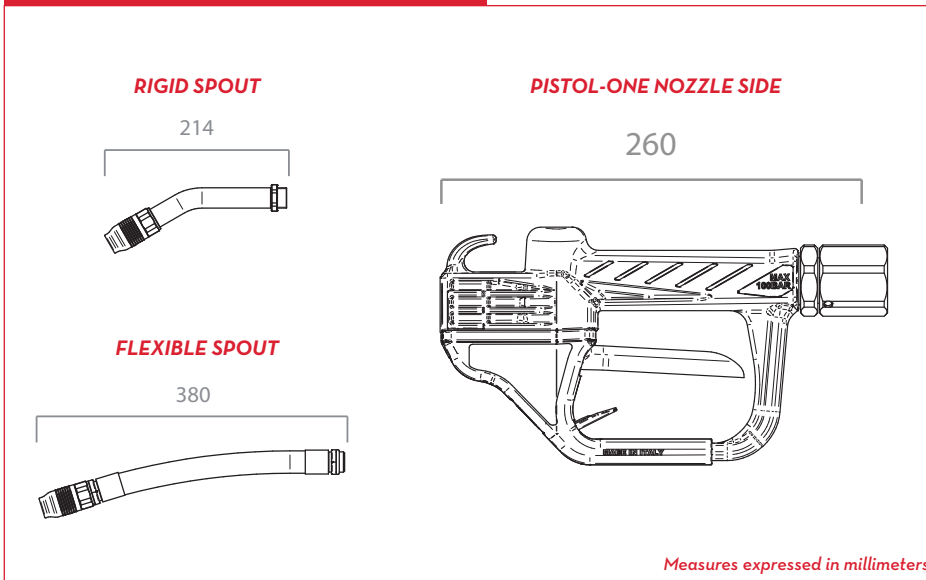
IN THE BOX

- PISTOL-ONE NOZZLE
- INSTRUCTION MANUAL

DETAILS



DIMENSIONS



MATERIALS

- BODY: ALUMINIUM
- VALVE: NBR, NICKEL PLATED STEEL, BRASS

TECHNICAL DATA

CODE	DESCRIPTION	FLUIDS TYPE			INTLET
			RIGID	FLEXIBLE	
FO0640000	PISTOL-ONE + SWIVEL 3/4"		-	-	3/4" BSP
FO0640010	PISTOL-ONE + SWIVEL 3/4" + RIGID SPOUT		YES	-	3/4" BSP
FO0640020	PISTOL-ONE + SWIVEL 3/4" + FLEXIBLE SPOUT		-	YES	3/4" BSP

NPT VERSION AVAILABLE

PISTOL-ONE