



DISPENSERS



PUMPS



METERS



NOZZLE



FILTRATION



FLUID  
MONITORING

# MC BOX

## FEATURES

- ACCESS CONTROL
- SUITABLE FOR ANY PUMP
- PULSE METER INPUT
- MULTI USERS
- COMPATIBLE WITH SSM2018 SOFTWARE

The PIUSI MC BOX is a multi-user control panel that allows pump management, authorized user access, pre-set dispensing and pulse meter input. Thanks to these features, each site can enter the Fuel Management System universe. Do you already have a pump, a pulse flow meter, or both? With Piusi MC BOX you can create your custom electronic dispenser, suitable for any fluid and perfectly compatible with Piusi's FMS SSM 2018.

## PERFORMANCE

UP TO  
**120**

USERS

**AC/DC**

VOLTAGE  
POWER

UP TO  
**255**

TRANSACTION MEMORY



MC BOX



## PACKAGING

CODE	WEIGHT		PACKAGING		
	KG	LBS	MM	INCH	PCS/BOX
F1398000C	5	19,4	480X370X265	18,9X14,6X10,4	1
F1398005B	5	19,4	480X370X265	18,9X14,6X10,4	1
F1398001B	6	13,2	480X370X265	18,9X14,6X10,4	1
F1398002B	6	13,2	480X370X265	18,9X14,6X10,4	1



HOSE REELS



ACCESSORIES



MERCHANDISE



AIR



ANTIFREEZE



AdBlue®



BIODIESEL



DIESEL



FOOD



GASOLINE



GREASE



KEROSENE



OIL



WATER



WINDSCREEN

## CONNECTION SCHEME



PUMP CONTROL



PULSE METER INPUT



TANK LEVEL INDICATOR



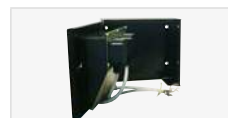
NOZZLE SWITCH



## IN THE BOX

- MCBOX UNIT
- INSTRUCTION MANUAL

## DETAILS



EASY ACCESS TO CONNECTION

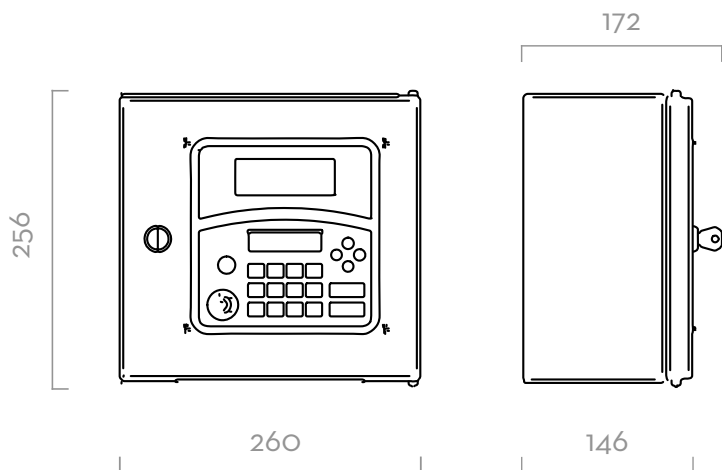


DISPLAY COVER



USER KEY

## DIMENSIONS



Dimensions expressed in millimeters

## TECHNICAL DATA

CODE	DESCRIPTION	FLUIDS TYPE	USERS	VOLTAGE			METERS
				AC V/HZ	POWER WATT	AMP. MAX. (load motor)	
F139800OC	MC BOX (ANY FLUIDS)	D G K O	80	230/50	35	6,5	-
F1398005B	MC BOX (ANY FLUIDS)	D G K O	120	230/50	35	6,5	-
F1398001B	MC BOX 12V	D G K O	120	12	10	50	-
F1398002B	MC BOX 24V	D G K O	120	24	10	25	-

\*COMPLETE BY: CD ROM WITH SOFTWARE, 10 IBUTTON USER KEY, 1 IBUTTON MANAGER KEY, USB PLUG IBUTTON KEY READER FOR PC