



KIT LUBE



PUMPS



METERS



NOZZLE METERS



NOZZLE



WASTE OIL EQ.

K500

FEATURES

- PRESET FUNCTION
- HIGH ACCURACY
- STANDARD BATTERY AA
- ERGONOMIC GRAB
- ROTATING SPOUT
- SHOCK-ABSORBING PROTECTION
- IP55 PROTECTION
- ADJUSTABLE UNIT OF MEASUREMENT

PERFORMANCE

up to
30 L/MIN
(up to 7,8 gpm)

FLOW-RATE

± 0,5 %

ACCURACY

70 BAR

PRESSURE

up to
2000
cSt

VISCOSITY

EN.

The Piusi K500 is the most widespread preset nozzle for oil. It has an ergonomic handle, an oval gear meter and a preset function to always choose the right quantity before dispensing.



ROTATING SPOUT
R12519000
pag. 105



FLEXIBLE SPOUT
FO0676070
pag. 105



RIGID SPOUT
FO0676080
pag. 105

K500

PACKAGING

CODE	WEIGHT		PACKAGING			N. BOXES/ EUROPALLET	
	KG	LBS	MM	PCS/PALLET	PCS/BOX		
FO068700D	1,8	4	280X160X140		1	128	160
FO068720A	1,8	4	280X160X140		1	128	160
FO0687221A	1,8	4	280X160X140		1	128	160
FO068600D	1,8	4	280X160X140		1	128	160



FILTERING



OIL MONITORING



HOSE REEL



ACCESSORIES



MERCHANDISE

PIUSI[®]



AIR



ANTIFREEZE



BIODIESEL



DIESEL



FOOD



GASOLINE



GREASE



KEROSENE



OIL



AdBlue[®]

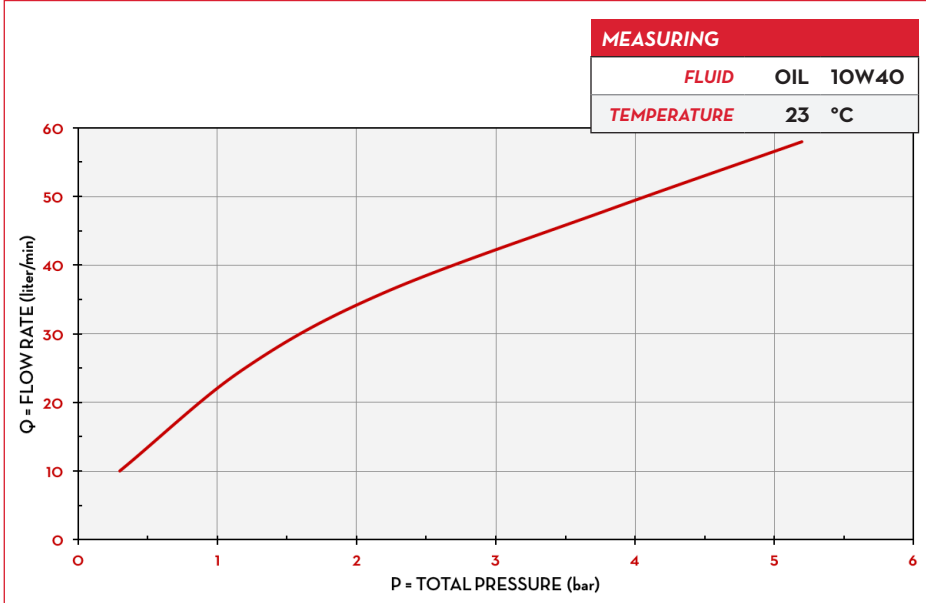


WATER



WINDSCREEN

CHARTS



IN THE BOX

- K500 NOZZLE
- INSTRUCTION MANUAL

DETAILS



EASY PRESET QUANTITY



HIGH PROTECTION

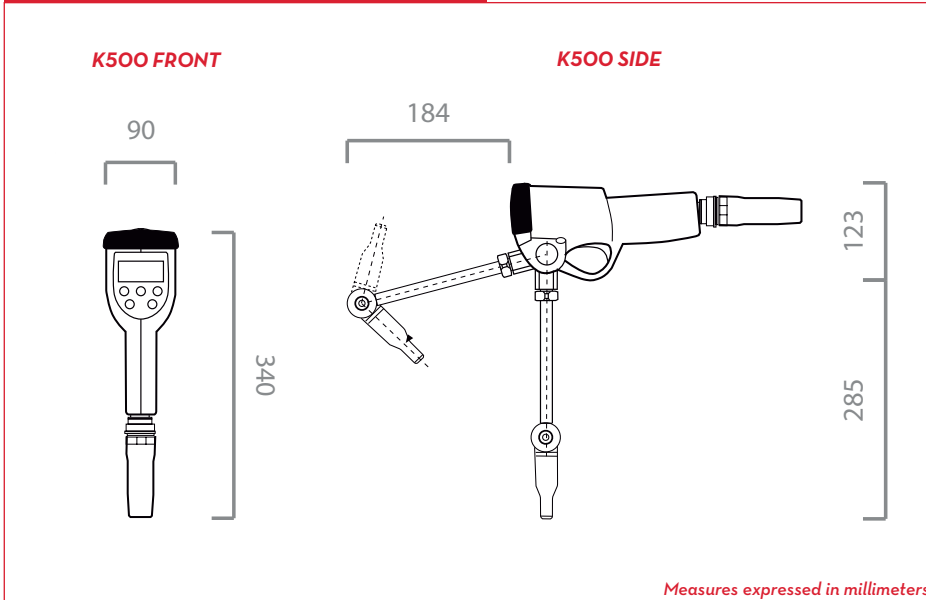


BATTERY COMPARTMENT



METER WITH OVAL GEARS

DIMENSIONS



MATERIALS

- NOZZLE BODY: ALUMINIUM
- VALVE: NBR, NICKEL PLATED STEEL, BRASS
- METER BODY: ALUMINIUM
- GEARS: TECHNOPOLYMER

TECHNICAL DATA

CODE	DESCRIPTION	FLUIDS TYPE	SPOUT TYPE	 AUTOMATIC NO DRIP VALUE	FLOW-RATE		AIR PRESSURE		BATTERIES SIZE 1,5 V AA NO.	INLET
					L/MIN	GPM	BAR	PSI		
FO068700D	K500 W/ARTICULABLE SPOUT			YES	1 ÷ 30	0,26 ÷ 7,8	70	994	4	1/2" BSP
FO068720A	K500 W/RIGID SPOUT			YES	1 ÷ 30	0,26 ÷ 7,8	70	994	4	1/2" BSP
FO068721A	K500 W/FLEXIBLE SPOUT			YES	1 ÷ 30	0,26 ÷ 7,8	70	994	4	1/2" BSP
FO068600D	K500 W/ARTICULABLE SPOUT			YES	1 ÷ 30	0,26 ÷ 7,8	70	994	4	1/2" NPT

K500

NOZZLE METERS

89