



DISPENSERS



PUMPS



METERS



NOZZLE



FILTRATION



FLUID MONITORING

K24 ATEX

FEATURES

- BURSTING PRESSURE 100 BAR
- LCD DISPLAY
- FLOW-RATE INDICATION
- EASY TO CALIBRATE
- UL VERSION AVAILABLE

The PIUSI K24 ATEX, specifically designed to be compliant with ATEX/IECEX requirements, is manufactured using high-quality materials compatible with gasoline, kerosene and diesel to be used in potentially explosive areas. This turbine flow meter is equipped with a 6-digit totalizer and partial reset.

PERFORMANCE

7-120

L/MIN
FLOW-RATE

20 BAR

MAX OPERATING
PRESSURE

± 1%

ACCURACY

0,3%

REPEATIBILITY



K24 ATEX / IECEX



OUR PRODUCT COMPLIES WITH THE FOLLOWING MARKING ATEX/IECEX

II	2	G	Ex	ia	IIB	T4	Gb
GROUP	CATEGORY	TYPE OF EXPLOSIVE ATMOSPHERE	PERMANENT PREFIX	PROTECTION METHOD	GAS GLASS	TEMPERATURE CLASS	EQUIPMENT PROTECTION LEVEL

PACKAGING

CODE	WEIGHT		PACKAGING		
	KG	LBS	MM	INCH	PCS/BOX
K24 A ATEX/IECEX					
FOO408X00	0,5	1,1	115X16OX135	4,5X6,3X5,3	1
K24 A ATEX/IECEX PULSER					
FOO408Y00	0,5	1,1	115X16OX135	4,5X6,3X5,3	1



HOSE REELS



ACCESSORIES



MERCHANDISE



AIR



ANTIFREEZE



AdBlue®



BIODIESEL



DIESEL



FOOD



GASOLINE



GREASE



KEROSENE



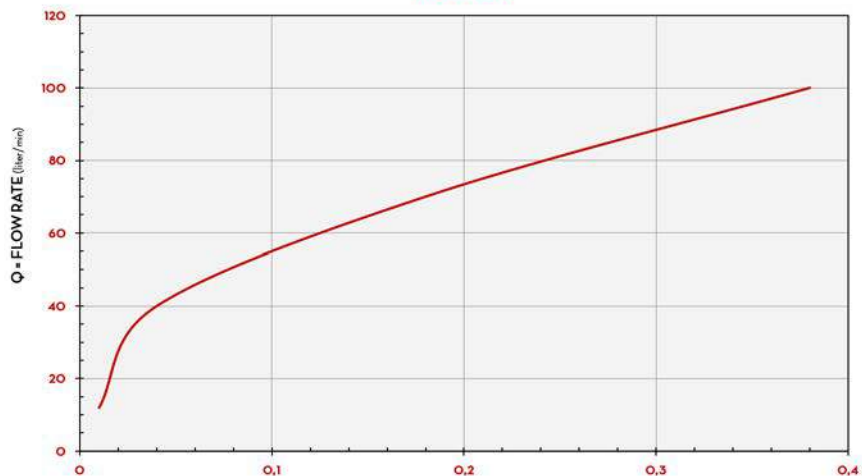
OIL



WATER



WINDSCREEN

CHART**K24 ATEX**

TYPE OF FLUID DIESEL

TEMPERATURE 16 °C

P = TOTAL PRESSURE (bar)

IN THE BOX

- K24 ATEX METER
- INSTRUCTION MANUAL

DETAILS

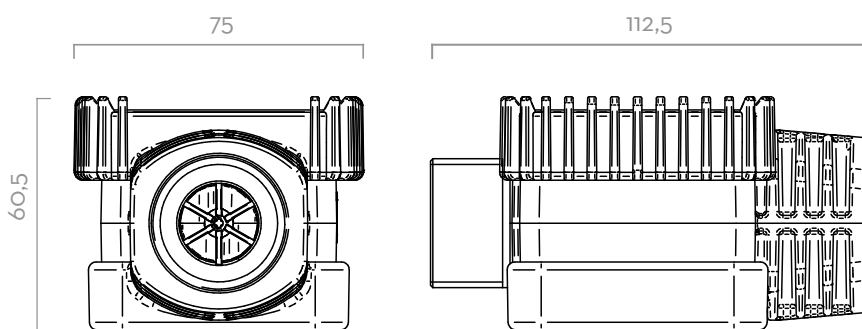
ROTABLE DISPLAY



BI-DIRECTIONAL



TURBINE PULSE METER

DIMENSIONS

Dimensions expressed in millimeters

MATERIALS

- BODY: ALUMINIUM
- GEARS: TECHNOPOLYMER

TECHNICAL DATA

CODE	DESCRIPTION	FLUIDS TYPE	FLOW-RATE		PRESSURE		SPECIAL BATTERY INCLUDED N° 1.3V LITHIUM	FLANGE	INLET / OUTLET
			L/MIN	GPM	BAR	PSI			
K24 A ATEX/IECEX									
FO0408X00	K24 A M/F 1" BSP ATEX/IECEX	D G K	7 - 120	2 - 32	20	300	YES	NO	M 1" BSP - F 1" BSP
K24 A ATEX/IECEX PULSER									
FO0408Y00	K24 A PULSER M/F 1" BSP ATEX/IECEX (92 PULSE/L)	D G K	7 - 120	2 - 32	20	300	NO	NO	M 1" BSP - F 1" BSP

FLUIDS PERMITTED: DIESEL, KEROSENE, PETROL, PETROL ALCOHOL MIXED MAX 20%,
AVGAS 100/100LL (PUMP ONLY), JET A/A1 (PUMP ONLY) - ASPEN 2/4. UL CLASSIFIED VERSION AVAILABLE