



KIT LUBE



PUMPS



METERS



NOZZLE METERS



NOZZLE



WASTE OIL EQ.

EASYOIL

FEATURES

- **BALANCED VALVE**
- **LIGHT PRESSURE LEVER**
- **ERGONOMIC GRAB**
- **BUILT-IN FILTER**
- **BUILT-IN LEVER LOCK**
- **COLOUR CODE SWIVEL**

PERFORMANCE

up to
30 L/MIN
(up to 7,8 gpm)

FLOW-RATE

70 BAR

PRESSURE

EN.

The Piusi Easy oil is a manual nozzle suitable for the delivery of a wide range of oils. Its ergonomic design and low weight make this nozzle unique in the market.



with flexible spout

with rigid spout

EASYOIL

PACKAGING

CODE	WEIGHT		PACKAGING			
	KG	LBS	MM	INCH	PCS/PALLET	PCS/BOX
FO096600A	0,45	1	203X320X88	8X12,6X3,5		1
FO0966130	1,2	2,6	203X320X88	8X12,6X3,5		1
FO0966140	1,2	2,6	203X320X88	8X12,6X3,5		1
FO0966150	1,2	2,6	203X320X88	8X12,6X3,5		1



FILTERING



OIL MONITORING



HOSE REEL



ACCESSORIES



MERCHANDISE



AIR



ANTIFREEZE



BIODIESEL



DIESEL



FOOD



GASOLINE



GREASE



KEROSENE



OIL



AdBlue®

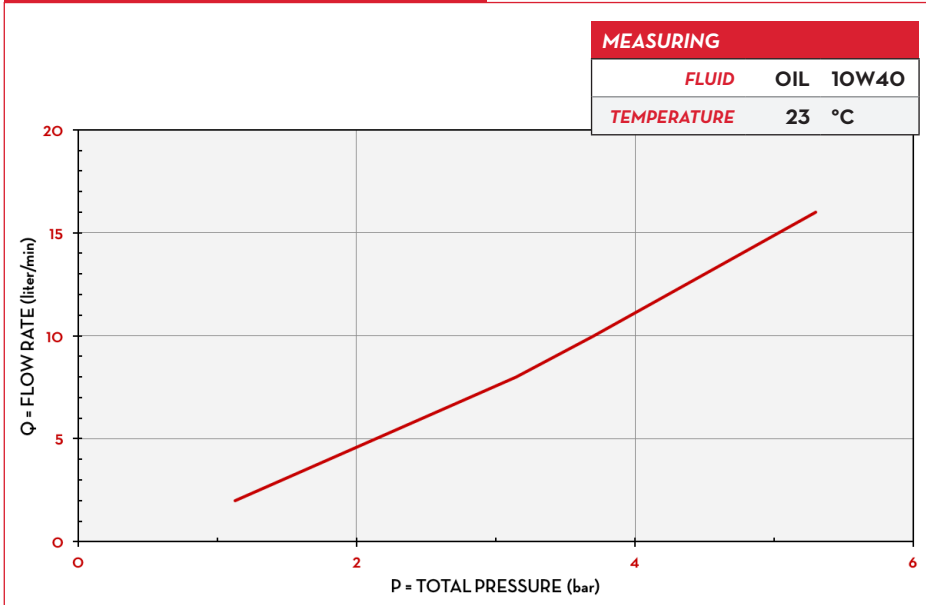


WATER



WINDSCREEN

CHARTS



IN THE BOX

- EASYOIL NOZZLE
- INSTRUCTION MANUAL

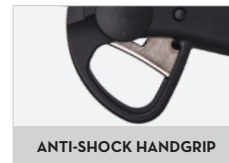
DETAILS



1/2" INLET

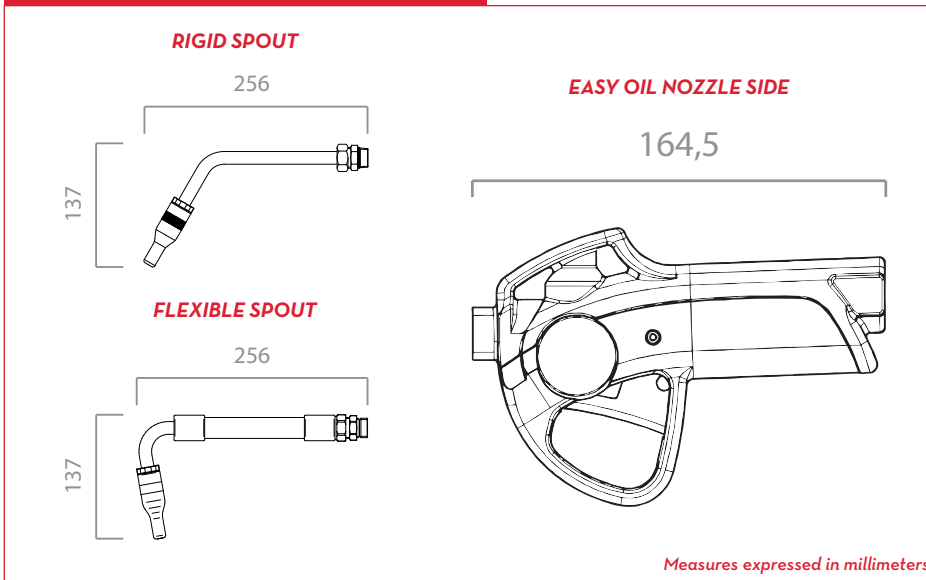


ALUMINIUM BODY



ANTI-SHOCK HANDGRIP

DIMENSIONS



MATERIALS

- BODY: ALUMINIUM
- VALVE: NBR, NICKEL PLATED STEEL, BRASS

TECHNICAL DATA

CODE	DESCRIPTION	FLUIDS TYPE	SPOUT			INTLET
			ROTATING	RIGID	FLEXIBLE	
FO096600A	EASYOIL FF 1/2" X 1/2" BSP		-	-	-	1/2" BSP
FO0966130	EASYOIL + SWIVEL 1/2" + RIGID SPOUT		-	YES	-	1/2" BSP
FO0966140	EASYOIL + SWIVEL 1/2" + FLEXIBLE SPOUT		-	-	YES	1/2" BSP
FO0966150	EASYOIL + SWIVEL 1/2" + ROTATING SPOUT		YES	-	-	1/2" BSP

NPT VERSION AVAILABLE

EASYOIL

NOZZLE