



KIT LUBE



PUMPS



METERS



NOZZLE METERS



NOZZLE



WASTE OIL EQ.

EASY NEXT/2

FEATURES

- HIGH RATIO PRESSURE
- LOW PRESSURE DROP
- STURDY AND DURABLE
- BUILT-IN LEVER LOCK
- READY TO USE
- EASY TO CALIBRATE
- ELECTRONIC RESET FUNCTION
- LOW BATTERY CONSUMPTION
- IP65 PROTECTION
- RUBBER PROTECTION
- ADJUSTABLE UMA CAMSHAFT
- SWIVEL

PERFORMANCE

up to
60 L/MIN
(up to 15 gpm)

FLOW-RATE

± 0,5 %

ACCURACY

70 BAR

PRESSURE

0,2 %

REPEATABILITY



EN.

The Piusi Easy NEXT/2 is the answer to all the needs of a high flow rate oil dispense and measure. It is composed by the Pistol-one nozzle and the oval gear meter NEXT/2.



with rigid spout

with flexible spout

EASY NEXT/2

PACKAGING

CODE	WEIGHT		PACKAGING			N. BOXES/ EUROPALLET	
	KG	LBS	MM	PCS/PALLET	PCS/BOX		
FO0974000	2,3	5,1	115X135X160		1	100	120
FO0974010	2,9	6,4	115X135X160		1	100	120
FO0974020	3	6,6	115X135X160		1	100	120



FILTERING



OIL MONITORING



HOSE REEL



ACCESSORIES



MERCHANDISE



AIR



ANTIFREEZE



BIODIESEL



DIESEL



FOOD



GASOLINE



GREASE



KEROSENE



OIL



AdBlue®

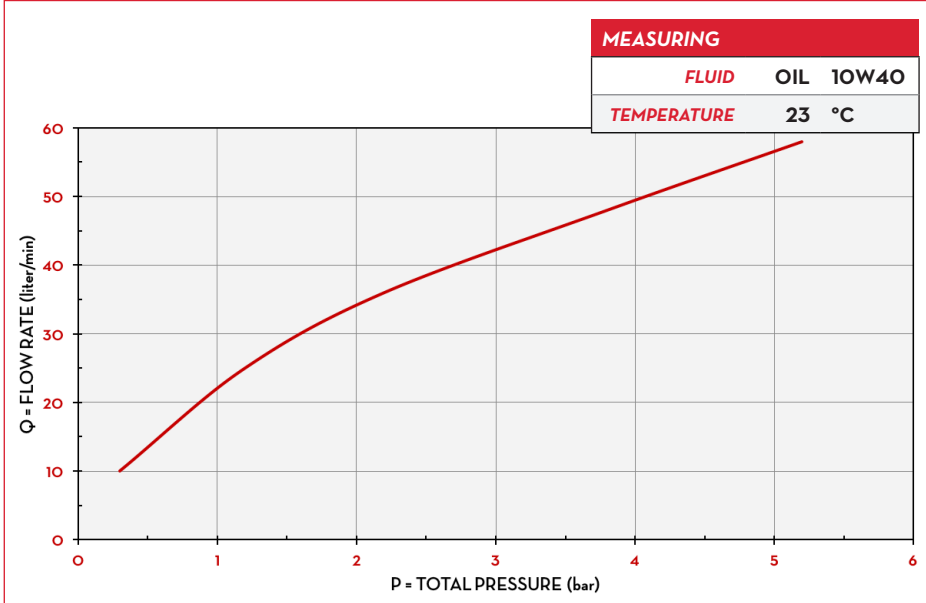


WATER



WINDSCREEN

CHARTS



IN THE BOX

- PISTOL-ONE NOZZLE
- NEXT/2 METER
- INSTRUCTION MANUAL

NEXT/2 SIDE

NEXT/2 FRONT

DETAILS



RESET/CALIBRATE BUTTON



MULTIFUNCTION DISPLAY

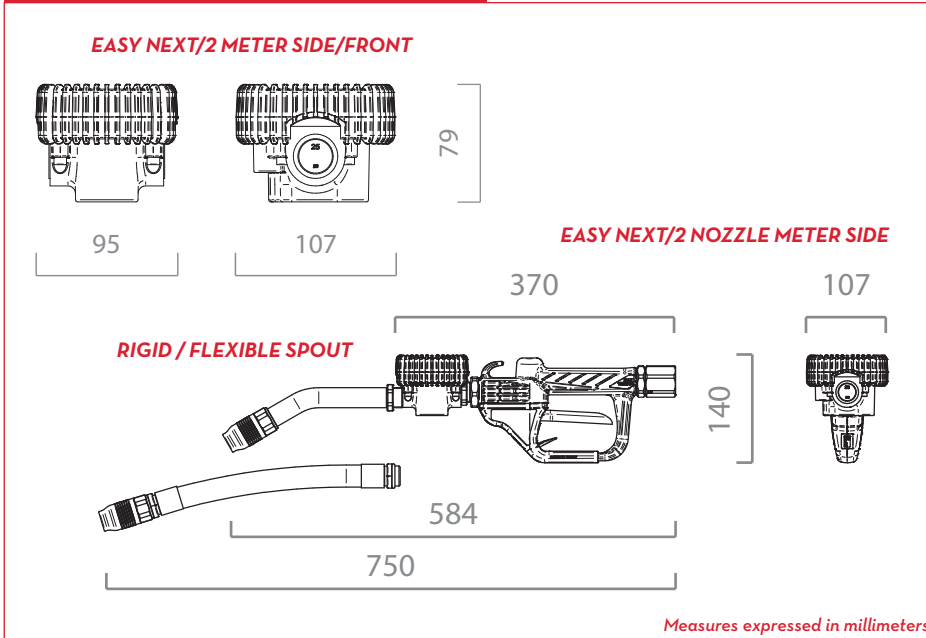


SELECTED MATERIALS



METER WITH OVAL GEARS

DIMENSIONS



MATERIALS

- NOZZLE BODY: ALUMINIUM
- VALVE: NBR, NICKEL PLATED STEEL, BRASS
- METER BODY: ALUMINIUM
- GEARS: TECHNOPYLIMER

TECHNICAL DATA

CODE	DESCRIPTION	FLUIDS TYPE	SPOUT TYPE	SEMI AUTO-MATIC NO DRIP VALUE	FLOW-RATE		WORKING PRESSURE		BATTERY INCLUDED AAA NO. 2.2 X 1,5 V	INTLET	OUTLET
					L/MIN	GPM	BAR	PSI			
FOO974000	NEXT/2 NOZZLE W/O SPOUT BSP	○	-	-	6 - 60	1,5 - 15	70	994	2	3/4" BSP	-
FOO974010	NEXT/2 NOZZLE W/RIGID SPOUT BSP	○	RIGID	YES	6 - 60	1,5 - 15	70	994	2	3/4" BSP	RIGID EXT.
FOO974020	NEXT/2 NOZZLE W/FLEX SPOUT BSP	○	FLEXIBLE	YES	6 - 60	1,5 - 15	70	994	2	3/4" BSP	FLEX EXT.

EASY NEXT/2