



DISPENSERS



PUMPS



METERS



NOZZLE



FILTRATION



FLUID
MONITORING

BIPUMP

FEATURES

- STURDY STRUCTURE
- COMPACT DESIGN
- HEAVY DUTY
- HIGH RELIABILITY
- IP55

The PIUSI BIPUMP is a diesel transfer pump, available both in 12 and 24 V versions, designed to meet the needs of those who are looking for a long-lasting quality, high flow-rate pump, applicable to different industries. It is easy to install and is suitable for being applied on diesel dispensers and fixed fuel transfer systems, as well as other applications.

PERFORMANCE

UP TO

85 L/MIN

FLOW-RATE

12/24V

VOLTAGE

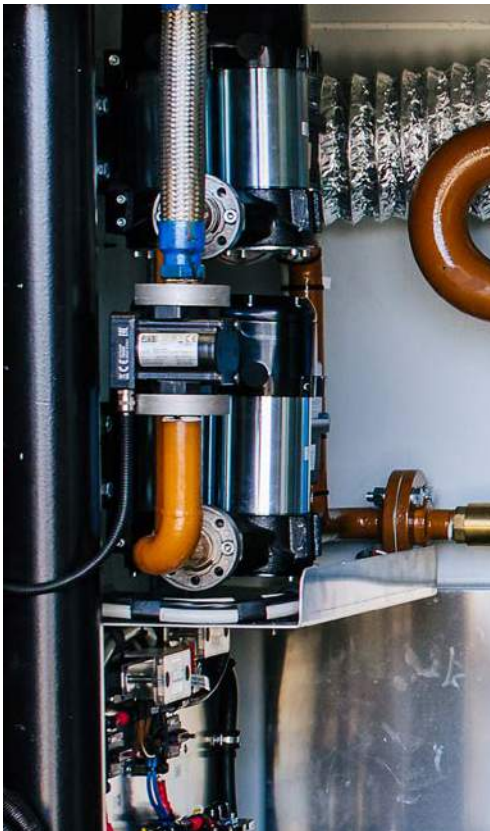
POWER

30 MIN

DUTY CYCLE



BIPUMP



PACKAGING

CODE	WEIGHT		PACKAGING			N. BOXES / EUROPALLET	
	KG	LBS	MM	INCH	PCS/BOX	✕	
FOO363A0A	9,9	21,8	345X175X255	-	1	60	72
FOO363B0A	9,9	21,8	345X175X255	-	1	60	72
FOO363O1A	9,9	21,8	345X175X255	-	1	60	72
FOO363O2A	9,9	21,8	345X175X255	-	1	60	72
FOO363O3A	9,9	21,8	345X175X255	-	1	60	72
FOO363O4A	9,9	21,8	345X175X255	-	1	60	72
FOO36321A	9,9	21,8	345X175X255	-	1	60	72
FOO363380	9,9	21,8	345X175X255	-	1	60	72



HOSE REELS



ACCESSORIES



MERCHANDISE



AIR



ANTIFREEZE



AdBlue®



BIODIESEL



DIESEL



FOOD



GASOLINE



GREASE



KEROSENE



OIL

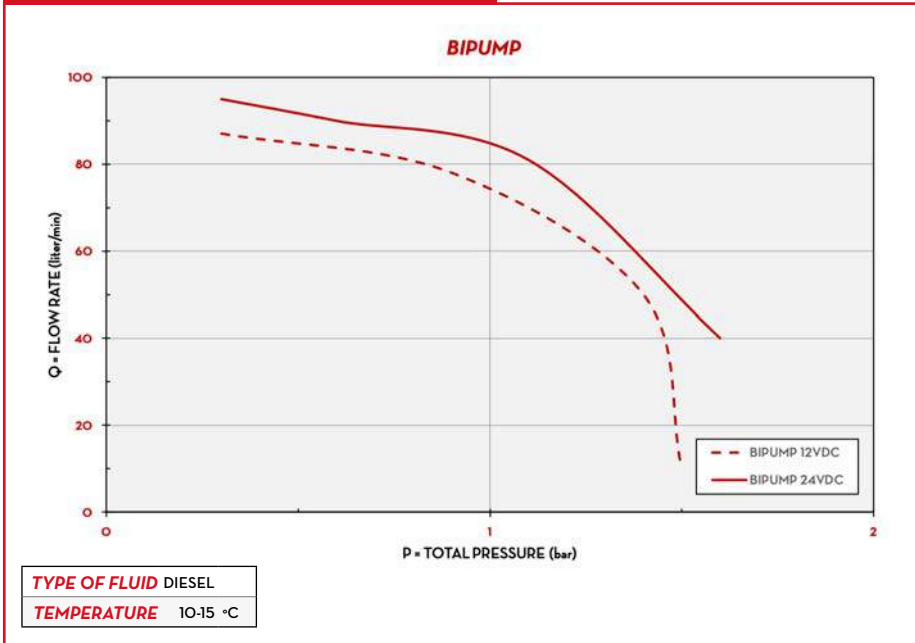


WATER



WINDSCREEN

CHART



IN THE BOX

- BIPUMP UNIT
- FLANGED CONNECTIONS
- INSTRUCTION MANUAL

DETAILS

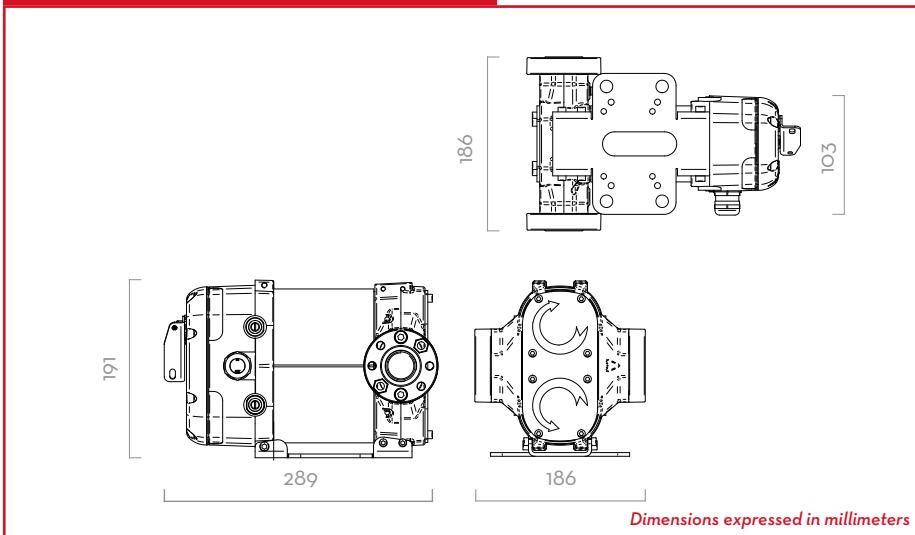


ON/OFF SWITCH



FLANGED CONNECTIONS

DIMENSIONS



PUMP

- > MAX 6M (20FT),
- > SUCTION HOSE Ø 1" MIN,
- > MAX SUCTION HEIGHT:
 - 2M (7FT) W/O NON RETURN VALVE
 - 4M (14FT) W NON RETURN VALVE



TANK

MATERIALS

- BODY: CAST IRON
- ROTOR: SINTERED STEEL
- VANES: ACETAL RESIN
- SEAL: NBR
- SHAFT: STEEL

TECHNICAL DATA

CODE	DESCRIPTION	FLUIDS TYPE	FLOW-RATE		VOLTAGE			DUTY CICLE		RPM	INLET BSP
			L/MIN	GPM	DC VOLT	POWER WATT	AMP. MAX.	MINUTES			
FOO363A0A	BIPUMP 12V WITH ON/OFF SWITCH	D	85	22,4	12	500	42	30	2000	1"	
FOO363B0A	BIPUMP 24V WITH ON/OFF SWITCH	D	85	22,4	24	500	21	30	2000	1"	
FOO36301A	BIPUMP 12V WITH CABLE 2M	D	85	22,4	12	500	42	30	2000	1"	
FOO36302A	BIPUMP 12V WITH CABLE 4M	D	85	22,4	12	500	42	30	2000	1"	
FOO36303A	BIPUMP 24V WITH CABLE 2M	D	85	22,4	24	500	21	30	2000	1"	
FOO36304A	BIPUMP 24V WITH CABLE 4M	D	85	22,4	24	500	21	30	2000	1"	
FOO36321A	BIPUMP 12/24 WITHOUT ON/OFF SWITCH	D	85	22,4	12/24	500/500	42/21	30/30	2000	1"	
FOO363380	BI-PUMP 12V W/SWITCH W/CABLE 6M	D	85	22,4	12	500	42	30	2000	1"	