



DISPENSERS



PUMPS



METERS



NOZZLE



FILTRATION



FLUID
MONITORING

CUBE MC

FEATURES

- MULTI-USER MANAGEMENT
- ALL-IN-ONE EQUIPMENT
- COMPACT DESIGN
- COMPATIBLE WITH SSM 2018 SOFTWARE
- SUCTION FILTER
- IP55

The PIUSI CUBE MC is the upgraded version of the world famous Cube dispenser equipped with an electronic panel able to manage up to 120 users and 255 transactions. The sturdy structure includes a self-priming vane pump, built-in bypass, automatic nozzle, and integrated nozzle holder with start/stop pump lever.

PERFORMANCE

UP TO
70 L/MIN

FLOW-RATE

AC/DC

VOLTAGE

POWER

± 0,5%

ACCURACY

UP TO
120

USERS



CUBE 70 MC



CUBE 70 MC WITH PEDESTAL (optional)

PACKAGING

CODE	WEIGHT		PACKAGING			N. BOXES / EUROPALET	
	KG	LBS	MM	INCH	PCS/BOX	✈	🚚
FO059400D	25	55	400X400X460	-	1	12	24
FO059413C	25	55	400X400X460	-	1	12	24
FO059414C	25	55	400X400X460	-	1	12	24
FO059415C	25	55	400X400X460	-	1	12	24
FO059422A	25	55	400X400X460	-	1	12	24



HOSE REELS



ACCESSORIES



MERCHANDISE



AIR



ANTIFREEZE



AdBlue®



BIODIESEL



DIESEL



FOOD



GASOLINE



GREASE



KEROSENE



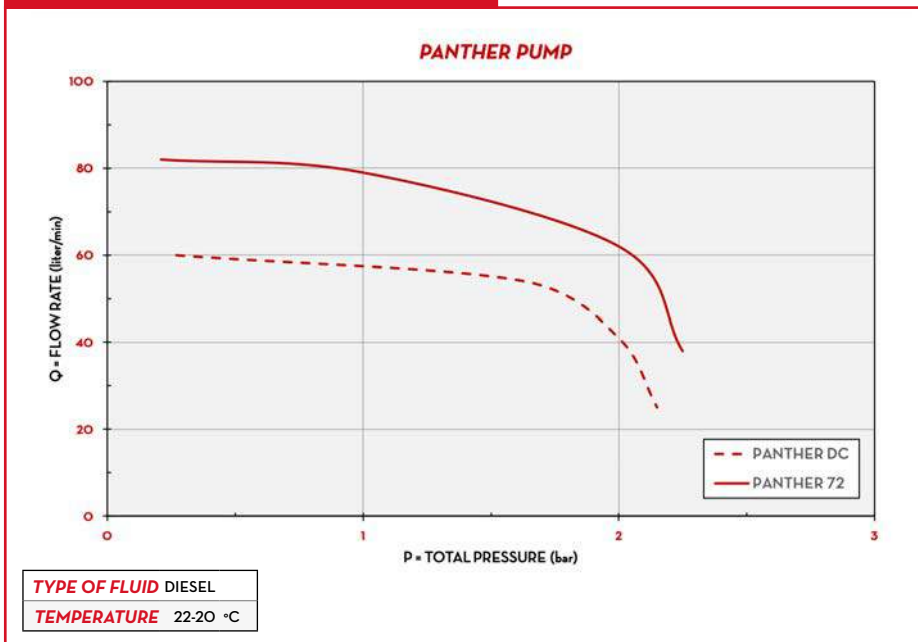
OIL



WATER



WINDSCREEN

CHART**IN THE BOX**

- CUBE DISPENSER
- AUTOMATIC NOZZLE
- DELIVERY HOSE
- INSTRUCTION MANUAL

DETAILS

SHUTTER



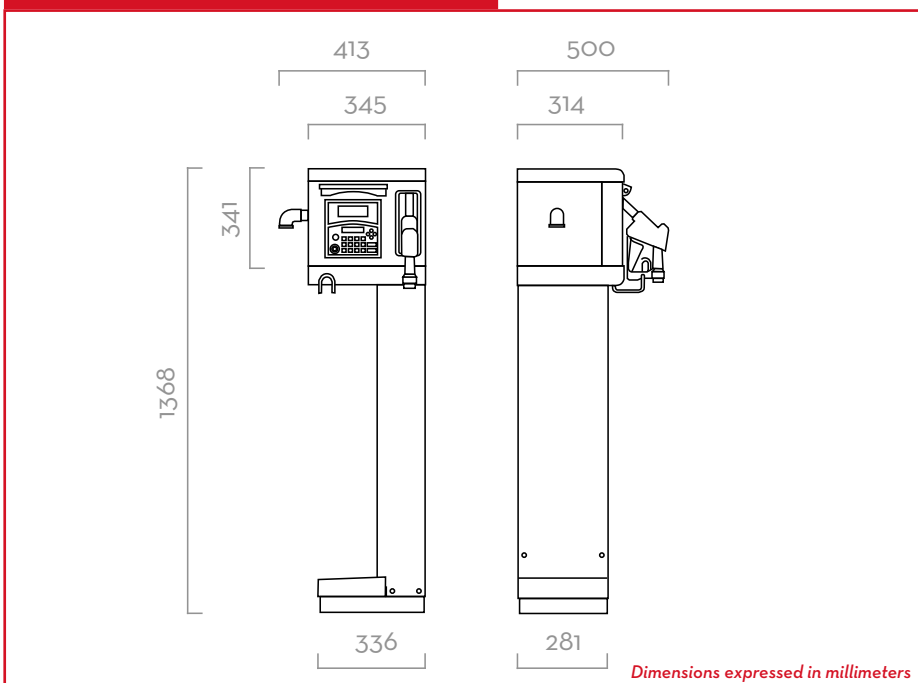
DRIVER KEY (not included)



DATA TRANSFER 2018 (pag. 150)



SSM 2018 (pag. 148)

DIMENSIONS**MATERIALS**

- **PUMPS:**
 - PANTHER AC PAG. 64
 - PANTHER DC PAG. 78
- **METER:**
 - K600/3 PAG. 96
- **NOZZLE:**
 - AUTOMATIC NOZZLE PAG. 118

TECHNICAL DATA

CODE	DESCRIPTION	FLUIDS TYPE	FLOW-RATE		VOLTAGE			PUMP TYPE	METER TYPE	NOZZLE TYPE	FILTER H2O FILTER	INLET BSP	HOSE		PC CONNECTION	USERS N°
			L/MIN	GPM	AC V/HZ	DC VOLT	POWER WATT						AMP. MAX.	LENGTH		
FO059400D	CUBE 70 MC	D	70	18	230/50	900	4,2	PANTH 72	K600	AUT.	NO	1"	4M	1"	YES	50
FO059413C	CUBE 70 MC DC 12V	D	56	15	12	300	35	PANTH DC	K600	AUT.	NO	1"	4M	1"	YES	50
FO059414C	CUBE 70 MC DC 24V	D	70	18	24	420	25	PANTH DC	K600	AUT.	NO	1"	4M	1"	YES	50
FO059415C	CUBE 70 MC 120 UT	D	70	18	230/50	550	3,3	PANTH 72	K600	AUT.	NO	1"	4M	1"	YES	120
FO059422A	CUBE 70 MC 12V 120 UT	D	56	15	12	300	35	PANTH DC	K600	A120	NO	1"	4M	1"	YES	120

UPON REQUEST IT IS AVAILABLE WITH DIFFERENT VOLTAGES AND 60 HZ FREQUENCY