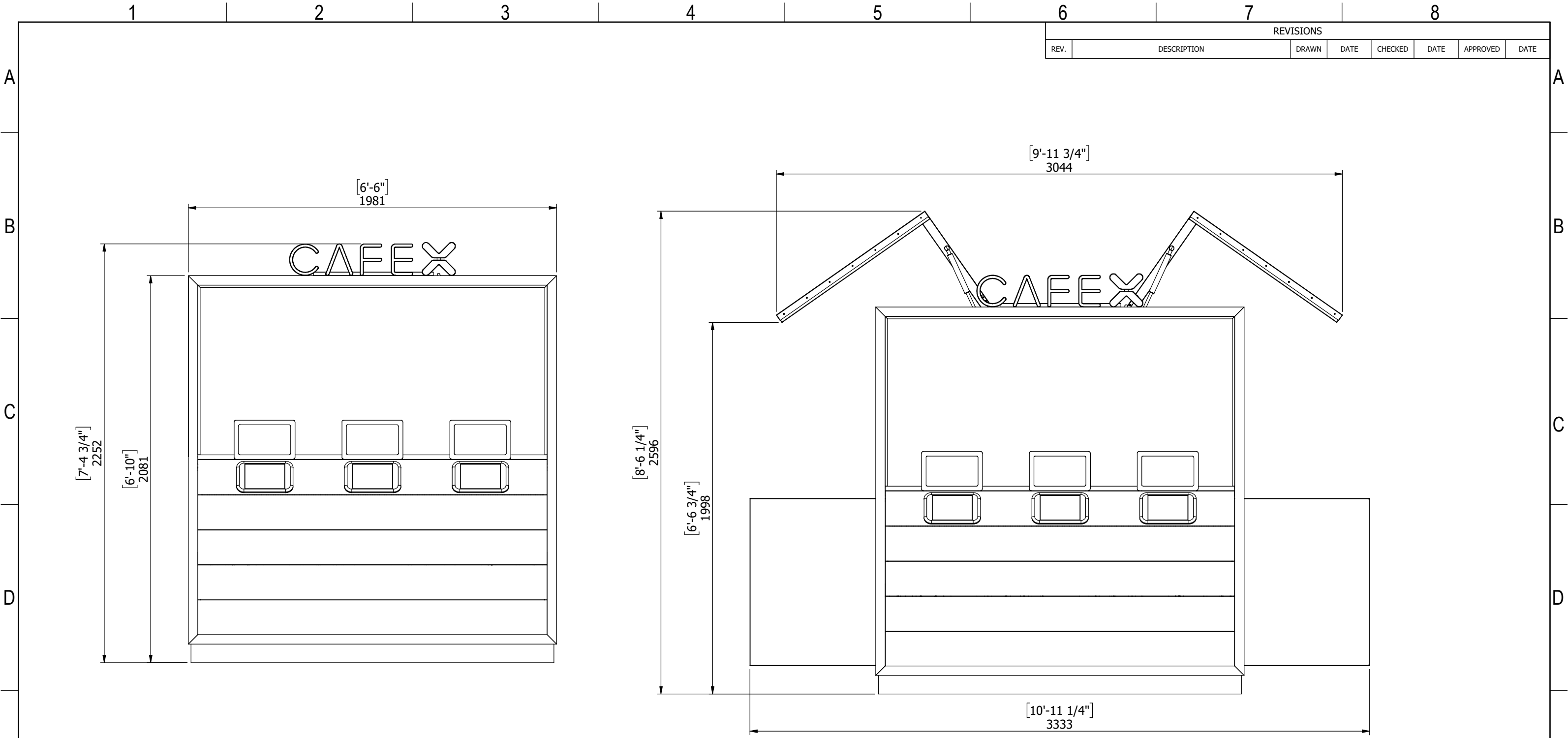


REVISIONS						
REV.	DESCRIPTION	DRAWN	DATE	CHECKED	DATE	APPROVED



**FRONT VIEW - DOORS CLOSED**

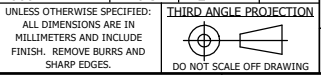
**FRONT VIEW - DOORS OPEN**

TOLERANCE			
UNLESS OTHERWISE SPECIFIED:			
DIMENSION	CNC	WELDING/ SHT MTL	HOLE POS.
X ≤ 6	±0.05	±0.2	±0.2
6 < X ≤ 30	±0.1	±0.4	
30 < X ≤ 120	±0.15	±0.6	
120 < X ≤ 400	±0.2	±0.8	
400 < X ≤ 1000	±0.3	±1.0	
1000 < X	±0.5	±1.2	

**CAFEX**

CAFEX TECHNOLOGIES, INC. 1060 BRYANT STREET, SAN FRANCISCO, CA 94103 WWW.CAFEXAPP.COM

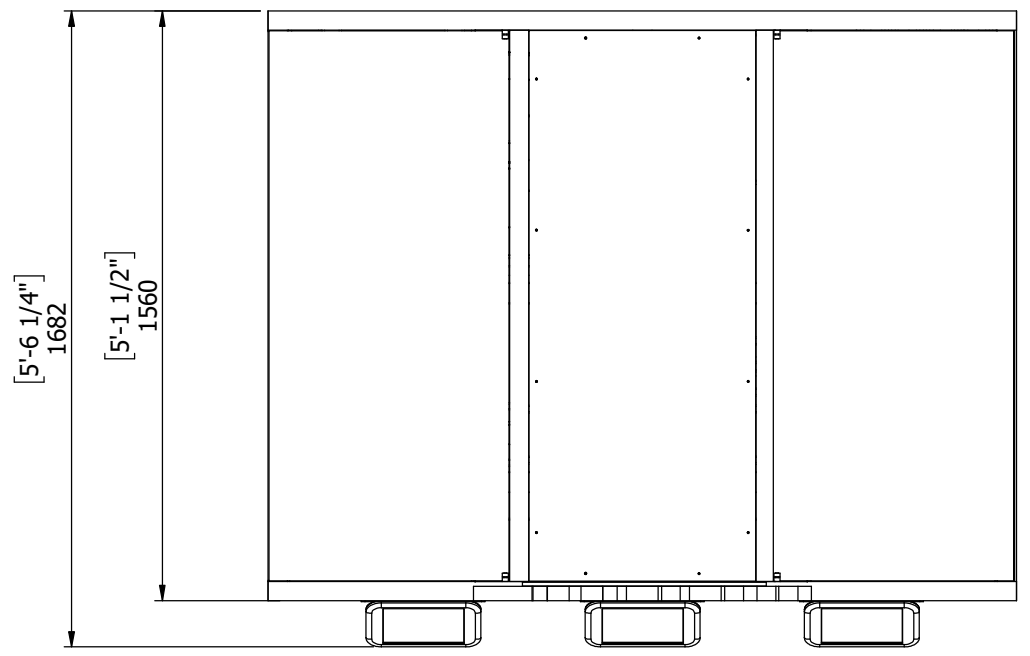
MASS (g)	999398	THIS DRAWING CONTAINS INFORMATION PROPRIETARY TO CAFEX TECHNOLOGIES, INC. IT IS SUBMITTED IN CONFIDENCE AND IS TO BE USED SOLELY FOR THE PURPOSE FOR WHICH IT IS FURNISHED AND RETURNED UPON REQUEST. THIS DRAWING AND SUCH INFORMATION IS NOT TO BE REPRODUCED, TRANSMITTED, DISCLOSED OR USED IN WHOLE OR IN PART WITHOUT THE WRITTEN AUTHORIZATION OF CAFEX TECHNOLOGIES, INC.	
VOLUME (cm <sup>3</sup> )		TITLE	
		<b>ROBOTIC COFFEE BAR RB2.3</b>	
SIZE	SCALE	MATERIAL	SHEET
B	1:20		1 of 4
			DWG NO.
			8
			REV.
			00



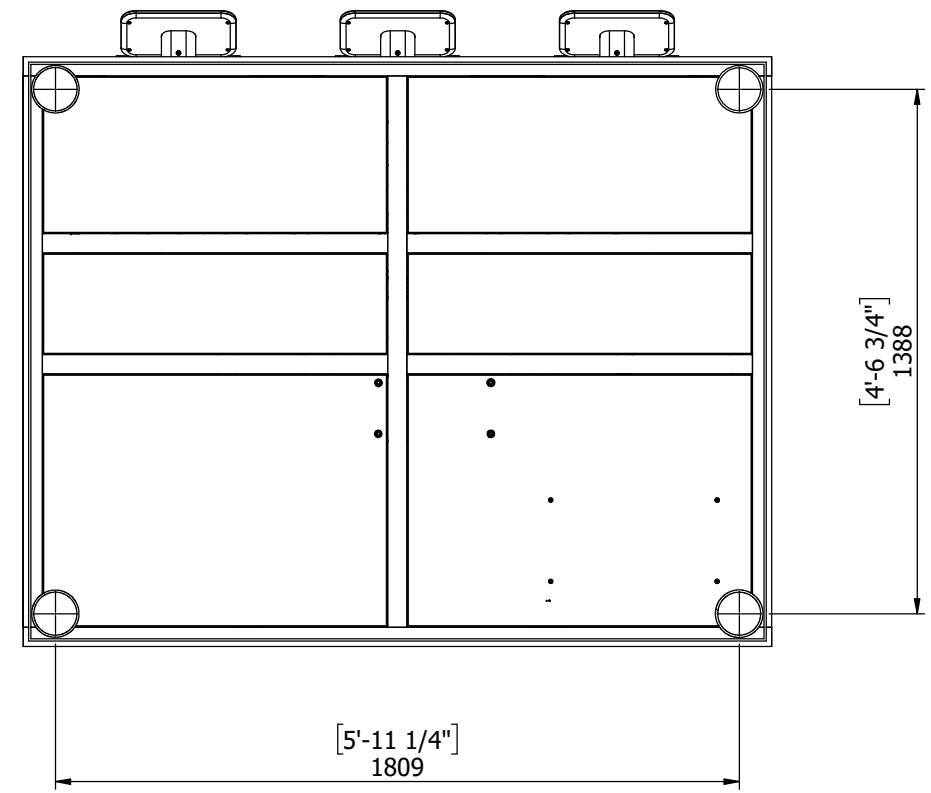
1 2 3 4 5 6 7 8

A  
B  
C  
D  
E  
F

A  
B  
C  
D  
E  
F



**TOP VIEW**



**BOTTOM VIEW**

**CAFEX**

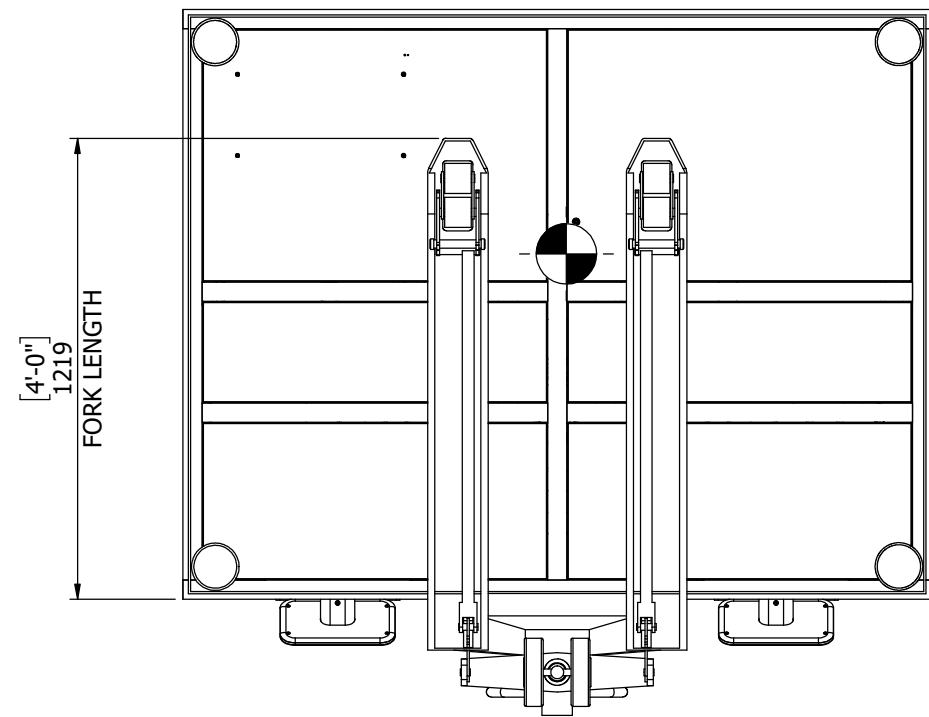
THIS DRAWING CONTAINS INFORMATION PROPRIETARY TO CAFEX TECHNOLOGIES, INC. IT IS SUBMITTED IN CONFIDENCE AND IS TO BE USED SOLELY FOR THE PURPOSE FOR WHICH IT IS FURNISHED AND RETURNED UPON REQUEST. THIS DRAWING AND SUCH INFORMATION IS NOT TO BE REPRODUCED, TRANSMITTED, DISCLOSED OR USED IN WHOLE OR IN PART WITHOUT THE WRITTEN AUTHORIZATION OF CAFEX TECHNOLOGIES, INC.

SIZE	SCALE	SHEET	DWG NO.	REV.
B	1:20	2 of 4		00

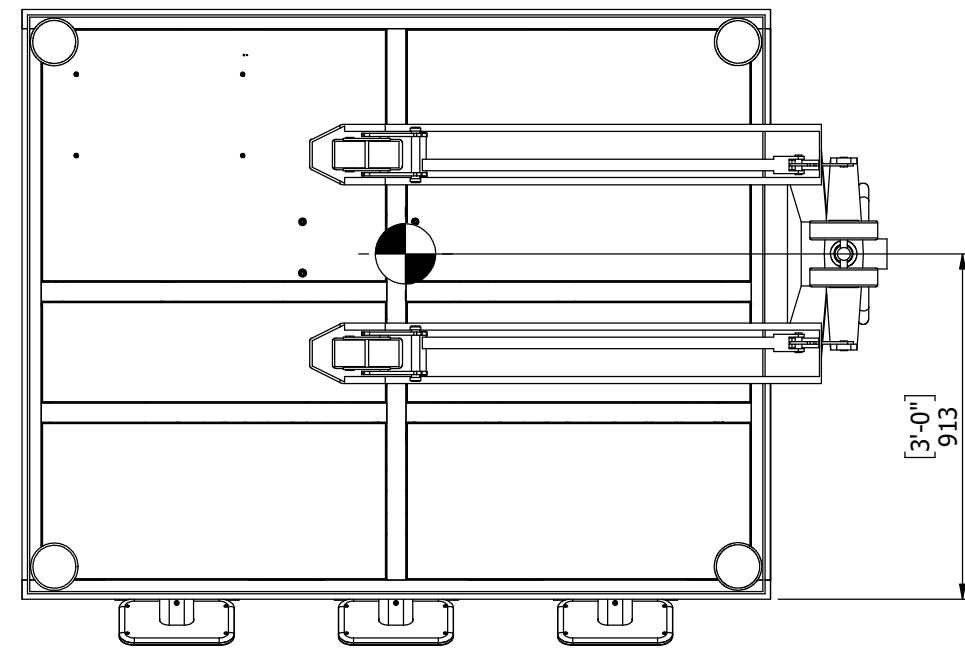
1 2 3 4 5 6 7 8

1 2 3 4 5 6 7 8

A  
B  
C  
D  
E  
F



**PALLET JACK-FRONT LIFT**



**PALLET JACK-SIDE LIFT**

**CAFEX**

THIS DRAWING CONTAINS INFORMATION PROPRIETARY TO CAFEX TECHNOLOGIES, INC. IT IS SUBMITTED IN CONFIDENCE AND IS TO BE USED SOLELY FOR THE PURPOSE FOR WHICH IT IS FURNISHED AND RETURNED UPON REQUEST. THIS DRAWING AND SUCH INFORMATION IS NOT TO BE REPRODUCED, TRANSMITTED, DISCLOSED OR USED IN WHOLE OR IN PART WITHOUT THE WRITTEN AUTHORIZATION OF CAFEX TECHNOLOGIES, INC.

SIZE	SCALE	SHEET	DWG NO.	REV.
B	1:20	3 of 4		00

1 2 3 4 5 6 7 8

1 2 3 4 5 6 7 8

A A

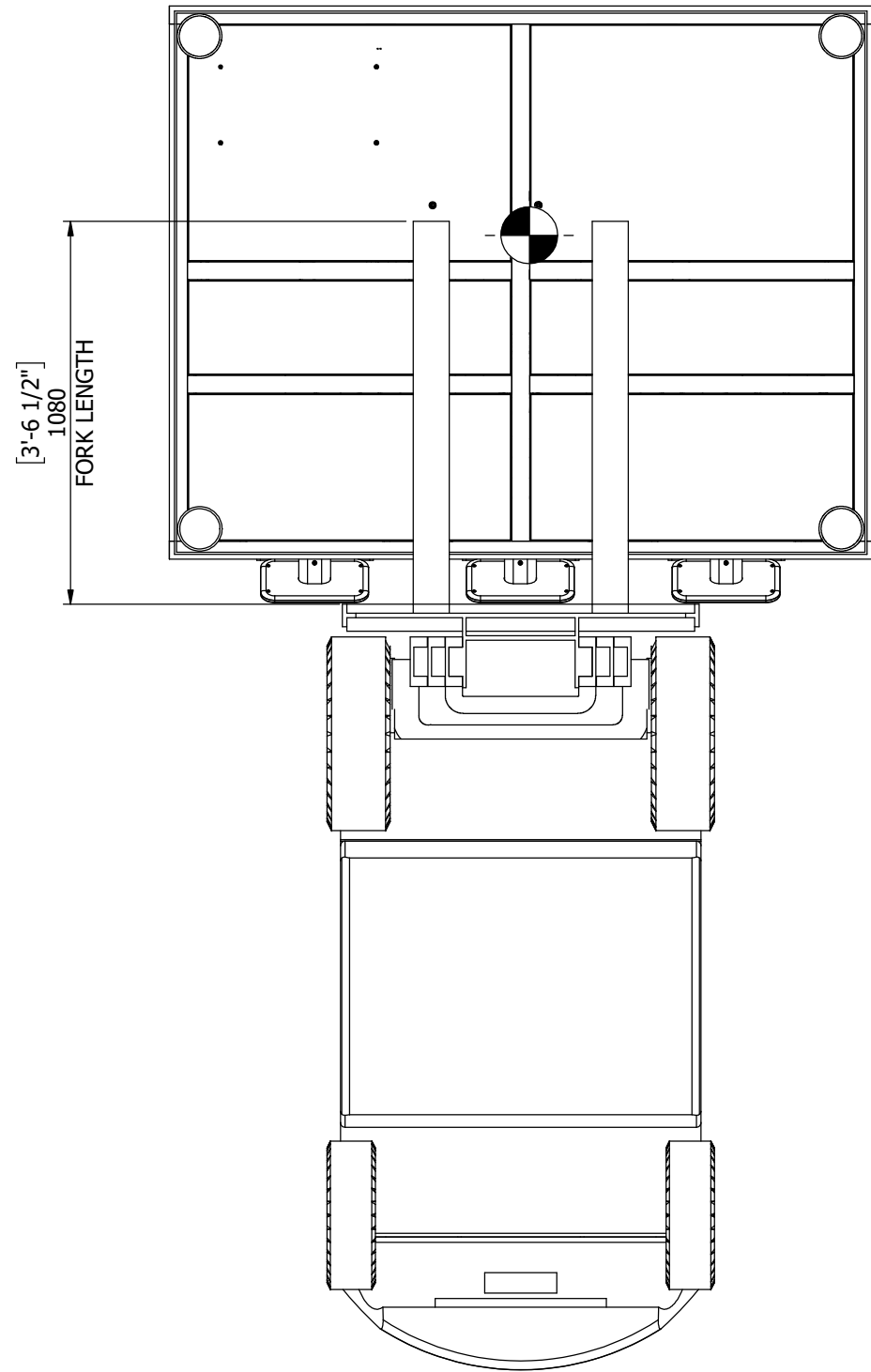
B B

C C

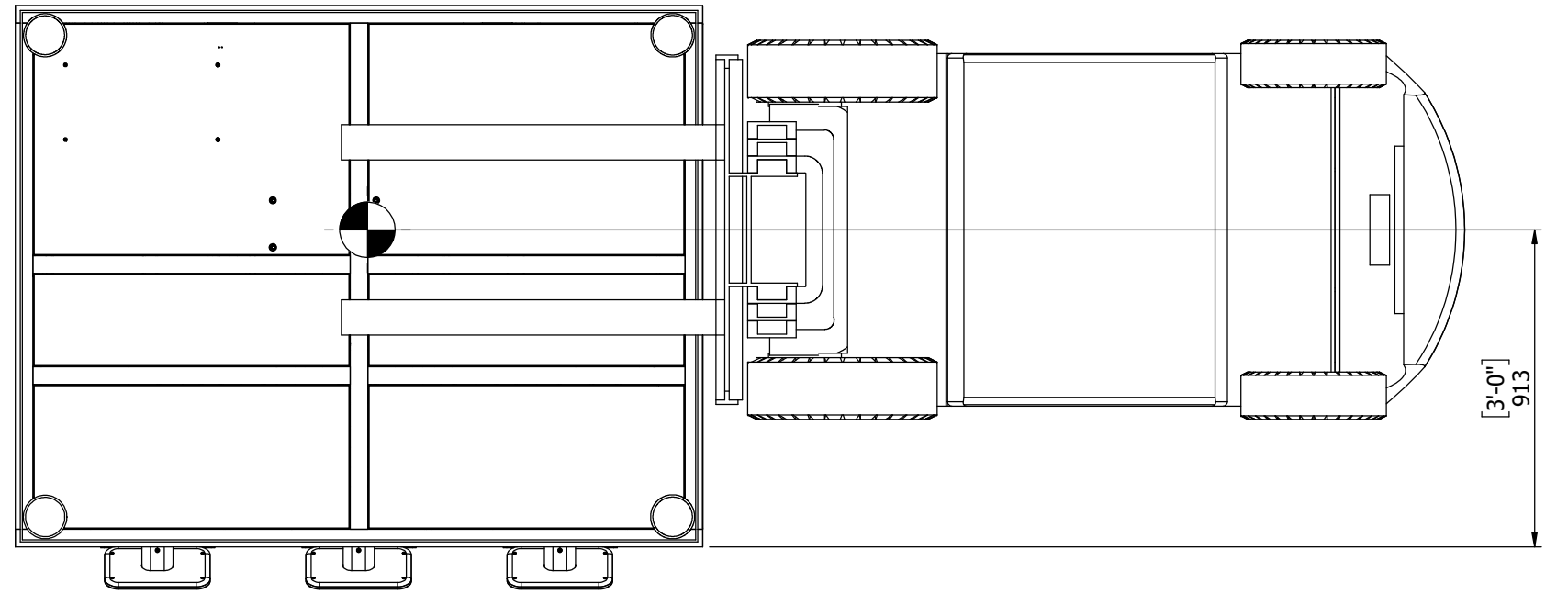
D D

E E

F F



**FORKLIFT-FRONT LIFT**



**FORKLIFT-SIDE LIFT**

**CAFEX**

THIS DRAWING CONTAINS INFORMATION PROPRIETARY TO CAFEX TECHNOLOGIES, INC. IT IS SUBMITTED IN CONFIDENCE AND IS TO BE USED SOLELY FOR THE PURPOSE FOR WHICH IT IS FURNISHED AND RETURNED UPON REQUEST. THIS DRAWING AND SUCH INFORMATION IS NOT TO BE REPRODUCED, TRANSMITTED, DISCLOSED OR USED IN WHOLE OR IN PART WITHOUT THE WRITTEN AUTHORIZATION OF CAFEX TECHNOLOGIES, INC.

SIZE	SCALE	SHEET	DWG NO.	REV.
B	1:20	4 of 4		00

1 2 3 4 5 6 7 8