

Illustrated Parts Manual

RL205H/207H

20" Homeowner Reel Mower

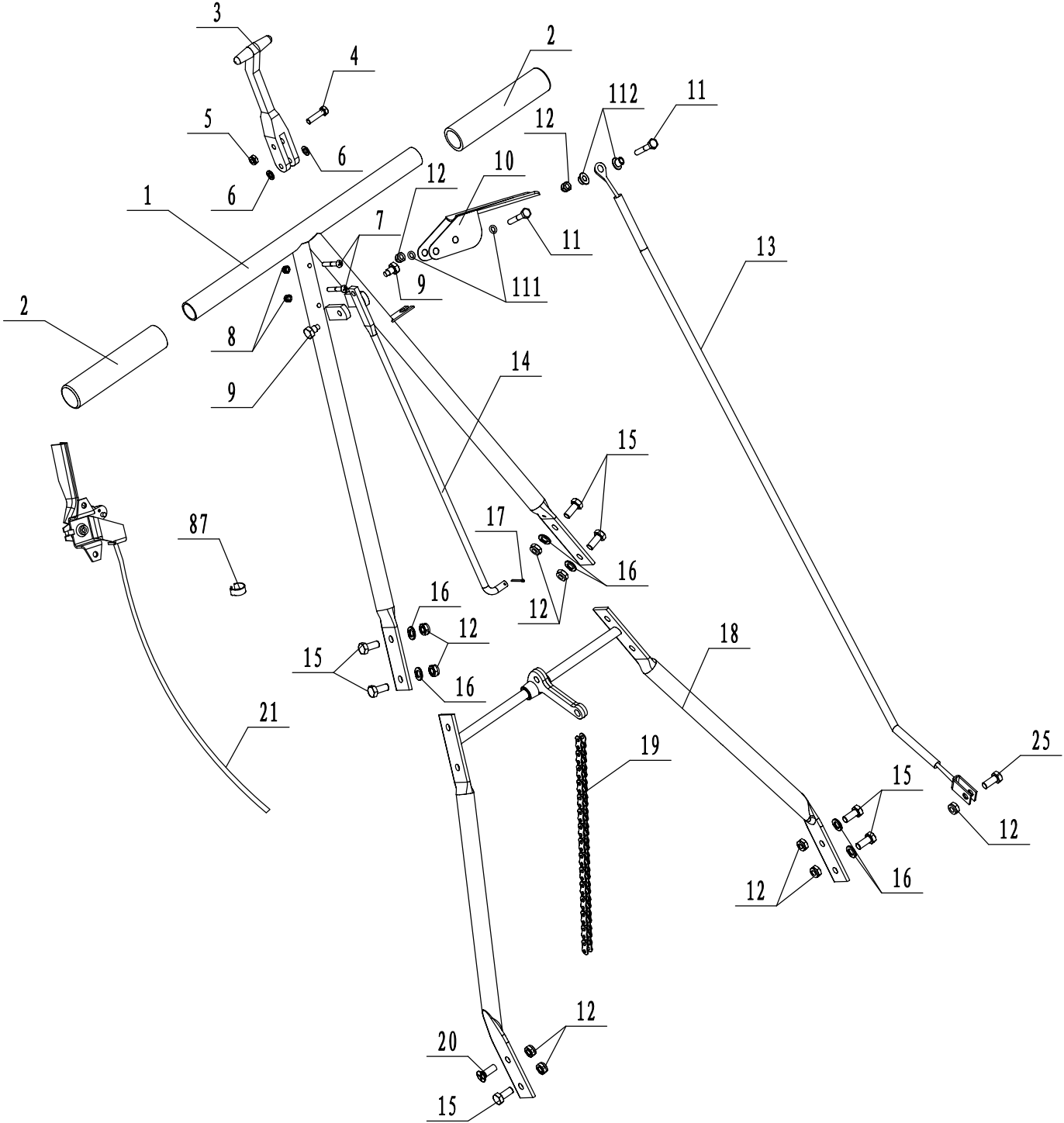


PRECISION REEL MOWERS

EVERGREEN

TURF EQUIPMENT

1028 4th Street SW, Bldg A • Auburn, WA 98001 • Phone: (253) 333-3345 • Fax: (253) 414-1293



PARTS INFORMATION

RL205H/207H

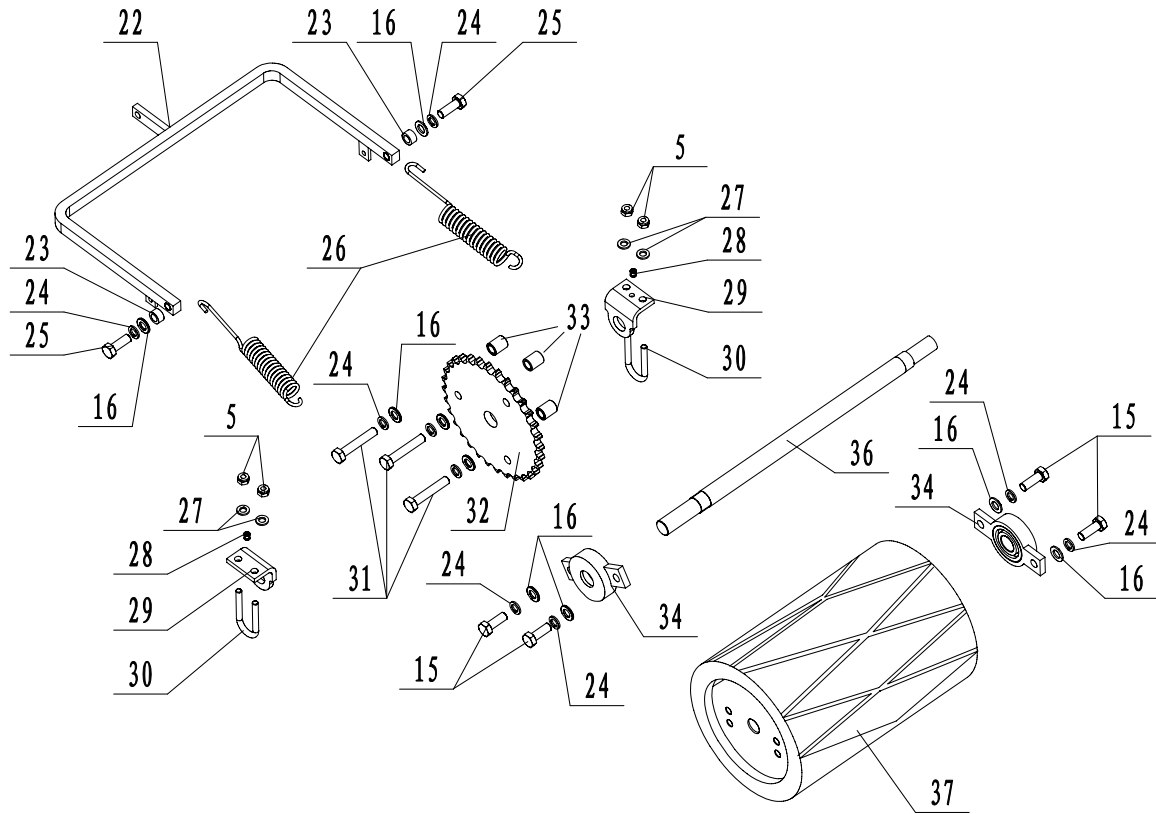
HANDLE & CONTROLS • FIGURE 1

| ITEM | PART NUMBER | DESCRIPTION | QTY | COMMENTS |
|------|-------------|--------------------------------------|-----|----------|
| 1 | H0501T | HANDLE, TOP, HO | 1 | |
| 2 | 25502 | GRIP, HANDLE, ALL | 2 | |
| 3 | H0503 | HANDLE, ROLLER LIFT | 1 | |
| 4 | 905 | BOLT, 1/4-28 x 1-1/4 HX G5 Z | 1 | |
| 5 | 007 | NUT, 1/4-28 NYLOCK STD | 1 | |
| 6 | 25906 | WASHER, TRUNNION BOLT | 2 | |
| 7 | 901 | SCREW, 3/16-32 x 1-1/4 | 2 | |
| 8 | 919 | NUT, 3/16-32 NTE TIN NYLON Z | 2 | |
| 9 | H0504 | BOLT, TRUNNION 5/16-18 | 2 | |
| 10 | H0505N | LEVER, CLUTCH (HO) | 1 | |
| 11 | H0927 | BOLT, CLUTCH HANDLE | 2 | |
| 12 | 922 | NUT, 5/16-24 THIN NYLOCK | 11 | |
| 13 | H0507N | CLUTCH CABLE | 1 | |
| 14 | 25510 | ROD, LIFT | 1 | |
| 15 | 909 | BOLT, 5/16-24 x 3/4 HX G5 Z | 7 | |
| 16 | 928 | WASHER, FLAT 5/16 Z | 6 | |
| 17 | 931 | COTTER PIN, 3/32 x 3/4 Z | 1 | |
| 18 | H0501B | HANDLE, BOTTOM, HO | 1 | |
| 19 | H0609 | CHAIN, ROLLER LIFT, HO | 1 | |
| 20 | 941 | SCREW, 5/16-24 x 3/4", FLAT PHILLIPS | 1 | |
| 21 | H0508N | THROTTLE LEVER ASSY, HO | 1 | |
| 25 | 910 | BOLT, 5/16-24 x 7/8 HX G5 Z | 1 | |
| 87 | 947 | THROTTLE WIRE HOLDER | 2 | |
| 111 | H0925 | NYLON WASHER, THROTTLE | 2 | |
| 112 | H0932 | COLLAR, CLUTCH CABLE, HO | 2 | |

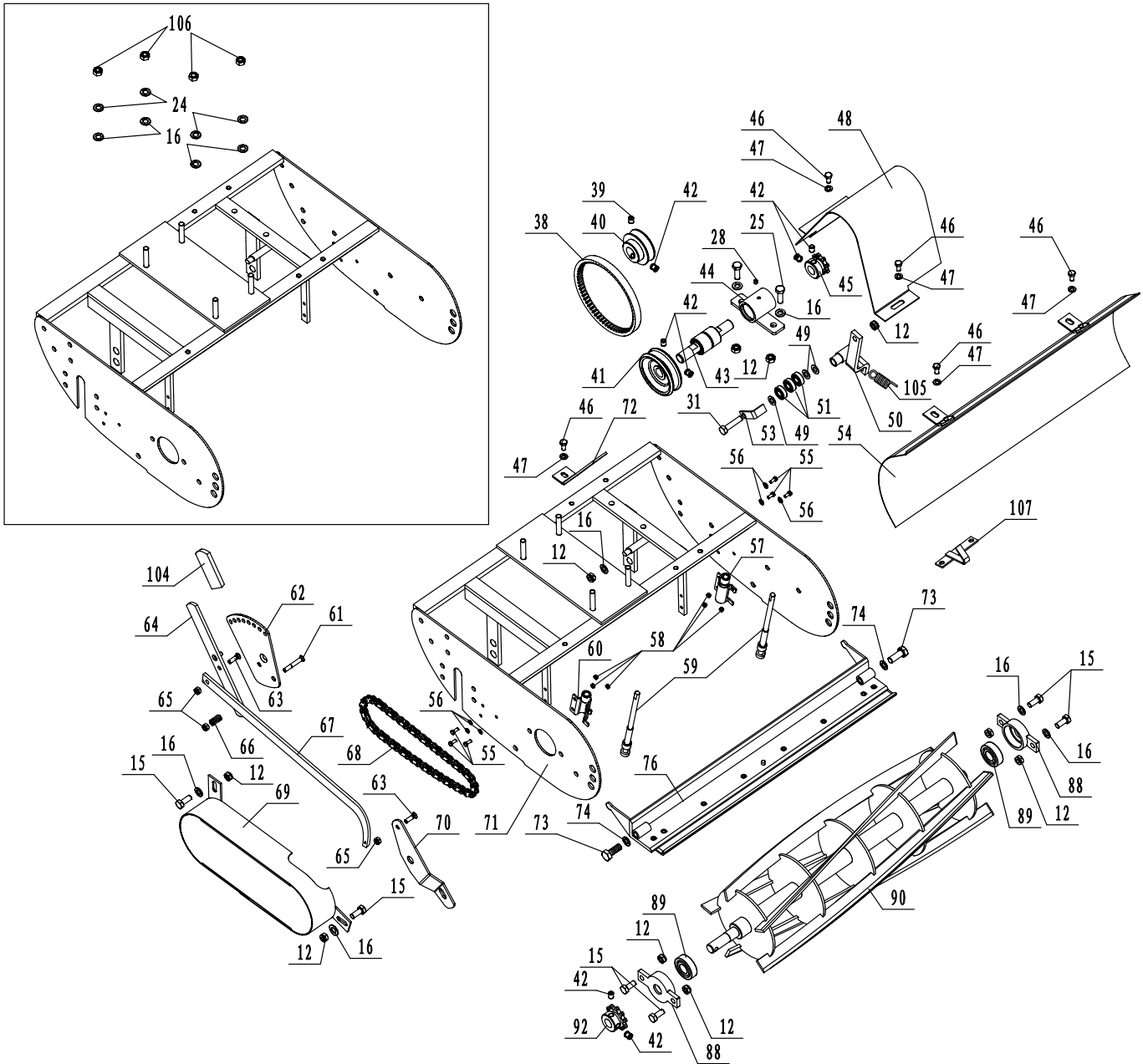
PARTS INFORMATION

RL205H/207H

ROLLER • FIGURE 2



| ITEM | PART NUMBER | DESCRIPTION | QTY | COMMENTS |
|------|-------------|----------------------------------|-----|------------------------|
| 5 | 007 | NUT, 1/4-28 NYLOCK STD | 4 | |
| 15 | 909 | BOLT, 5/16-24 x 3/4 HX G5 Z | 4 | |
| 16 | 928 | WASHER, FLAT 5/16 Z | 9 | |
| 22 | 25607 | ROLLER YOKE | 1 | |
| 23 | H0608 | BUSHING, YOKE | 2 | |
| 24 | 927 | WASHER, 5/16 SPLIT LOCK | 9 | |
| 25 | 910 | BOLT, 5/16-24 x 7/8 HX G5 Z | 2 | |
| 26 | H0610 | SPRING, ROLLER | 2 | |
| 27 | 948 | WASHER, 1/4 SAE FLAT Z | 4 | |
| 28 | 934 | SET SCREW, 1/4-20 x 1/4 SOC SET | 2 | |
| 29 | H0604 | CLAMP, ROLLER | 2 | |
| 30 | 603 | U-BOLT 1/4-28 ROUND, W/HDWE | 2 | Includes #5 and #27 |
| 31 | 913 | BOLT, 5/16-24 x 1-3/4 HX G5 Z | 3 | |
| 32 | 25605 | SPROCKET, ROLLER, LARGE, 30T | 1 | |
| 33 | 25606 | SPACER, SPROCKET | 3 | |
| 34 | 25304 | HOLDER, BEARING, 2-EAR W/NSK BRG | 2 | Includes bearing (#35) |
| 35 | 25324 | BEARING, ROLLER SHAFT | 2 | |
| 36 | 25602 | SHAFT, ROLLER | 1 | |
| 37 | 25601 | ROLLER, 9" | 1 | |



PARTS INFORMATION

RL205H/207H

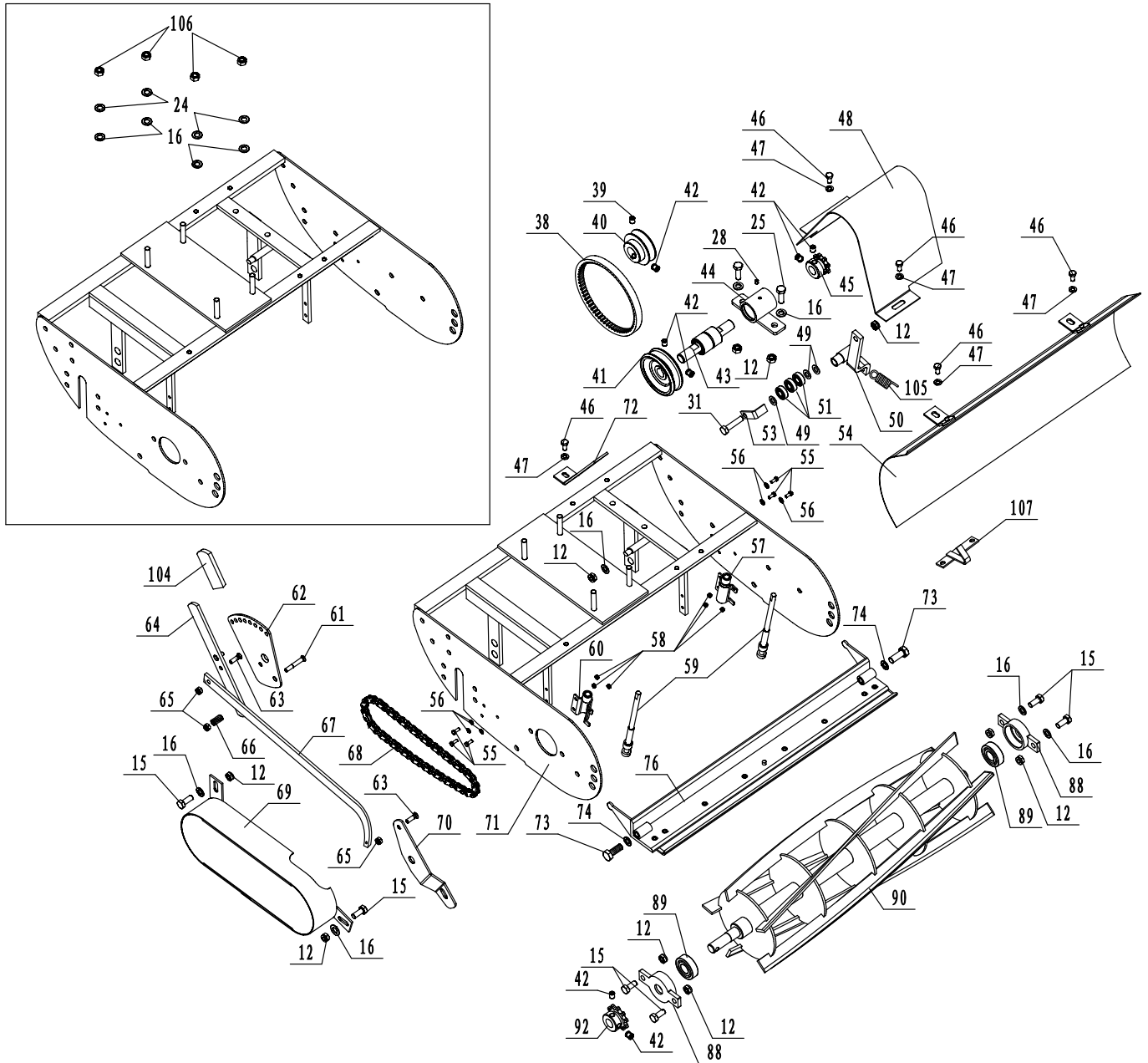
FRAME, BED KNIFE, GUARDS, BLADE & REEL • FIGURE 3

| ITEM | PART NUMBER | DESCRIPTION | QTY | COMMENTS |
|------|-------------|-------------------------------------|-----|----------------------|
| 12 | 922 | NUT, 5/16-24 THIN NYLOCK | 10 | |
| 15 | 909 | BOLT, 5/16-24 x 3/4 HX G5 Z | 6 | |
| 16 | 928 | WASHER, FLAT 5/16 Z | 13 | |
| 24 | 927 | WASHER, 5/16 SPLIT LOCK | 4 | |
| 25 | 910 | BOLT, 5/16-24 x 7/8 HX G5 Z | 2 | |
| 28 | 934 | SET SCREW, 1/4-20 x 1/4 SOC SET | 1 | |
| 31 | 913 | BOLT, 5/16-24 x 1-3/4 HX G5 Z | 1 | |
| 38 | H0705 | BELT, 18" | 1 | |
| 39 | 935HD | SET SCREW, 5/16-24 x 3/8 HALF DOG | 1 | |
| 40 | H0931 | PULLEY, ENGINE, 2" x 3/4", HO | 1 | |
| 41 | H0702 | PULLEY, PILLOW BLOCK, 3" X 5/8", HO | 1 | |
| 42 | 935 | SET SCREW, 5/16-24 x 5/16 KNURLED | 4 | |
| 43 | H0707BN | PILLOW BLOCK SHAFT/BRG, HO | 1 | |
| 44 | H0707HN | PILLOW BLOCK HOUSING, HO | 1 | |
| 45 | H0309 | SPROCKET, 8T x 5/8, ROLLER/JACK | 1 | |
| 46 | 903 | BOLT, 1/4-28 x 1/2 HX G5 Z | 5 | |
| 47 | 948 | WASHER, 1/4 SAE FLAT Z | 5 | |
| 48 | H0408N | GUARD, ENGINE BELT, HO | 1 | |
| 49 | H0928 | WASHER, SPECIAL | 3 | |
| 50 | H0709N | BRACKET, CLUTCH | 1 | |
| 51 | H0920 | BEARING, IDLER, HO | 3 | |
| 53 | H0712N | BELT RELEASE BRACKET | 1 | |
| 54 | H0402N | GRASS SHIELD, HO | 1 | |
| 55 | H0921 | SCREW, ADJUSTER HOUSING | 6 | |
| 56 | H0923 | WASHER, ADJUSTER HOUSING | 6 | |
| 57 | H0405N | BED KNIFE ADJUST BRACKET, L/H | 1 | |
| 58 | H0922 | NUT, ADJUSTER HOUSING | 6 | |
| 59 | H0404N | ADJUSTING ROD (HO) | 2 | |
| 60 | H0406N | BED KNIFE ADJUST BRACKET, R/H | 1 | |
| 61 | 942 | SCREW, 1/4-28 x 1-1/2 PHIL FL | 1 | |
| 62 | H0421 | BRACKET, HEIGHT ADJUST | 1 | |
| 63 | 943 | BOLT, 1/4-28 x 3/4 FL SOC P | 2 | |
| 64 | H0422 | HANDLE, HEIGHT ADJUST | 1 | |
| 65 | 944 | NUT, 1/4-28 THIN NYLOCK | 3 | |
| 66 | H0425 | HEIGHT ADJUST SPRING | 1 | |
| 67 | H0426N | CONNECTOR, CURVED | 1 | |
| 68 | 25206 | CHAIN, REEL, 20-25", 40x46 | 1 | |
| 69 | H0410 | GUARD, REEL CHAIN | 1 | |
| 70 | H0424 | BRACKET, FRONT | 1 | |
| 71 | H0902 | FRAME ASSY, HO | 1 | |
| 72 | H0706N | BELT GUARD, HO | 1 | |
| 73 | 915N | BED KNIFE MOUNTING BOLT, HO | 2 | |
| 74 | 929 | WASHER, 3/8 SAE FLAT Z | 2 | |
| 76 | H0401K | BED KNIFE FRAME, HO | 1 | |
| 77 | 20401 | BED KNIFE, 20" | 1 | |
| 78 | 902 | SCREW, CUTTER BAR | 8 | |
| 88 | H0204N | BEARING HOLDER, HO | 2 | Bearing not included |

PARTS INFORMATION

RL205H/207H

FRAME, BED KNIFE, GUARDS, BLADE & REEL • FIGURE 3

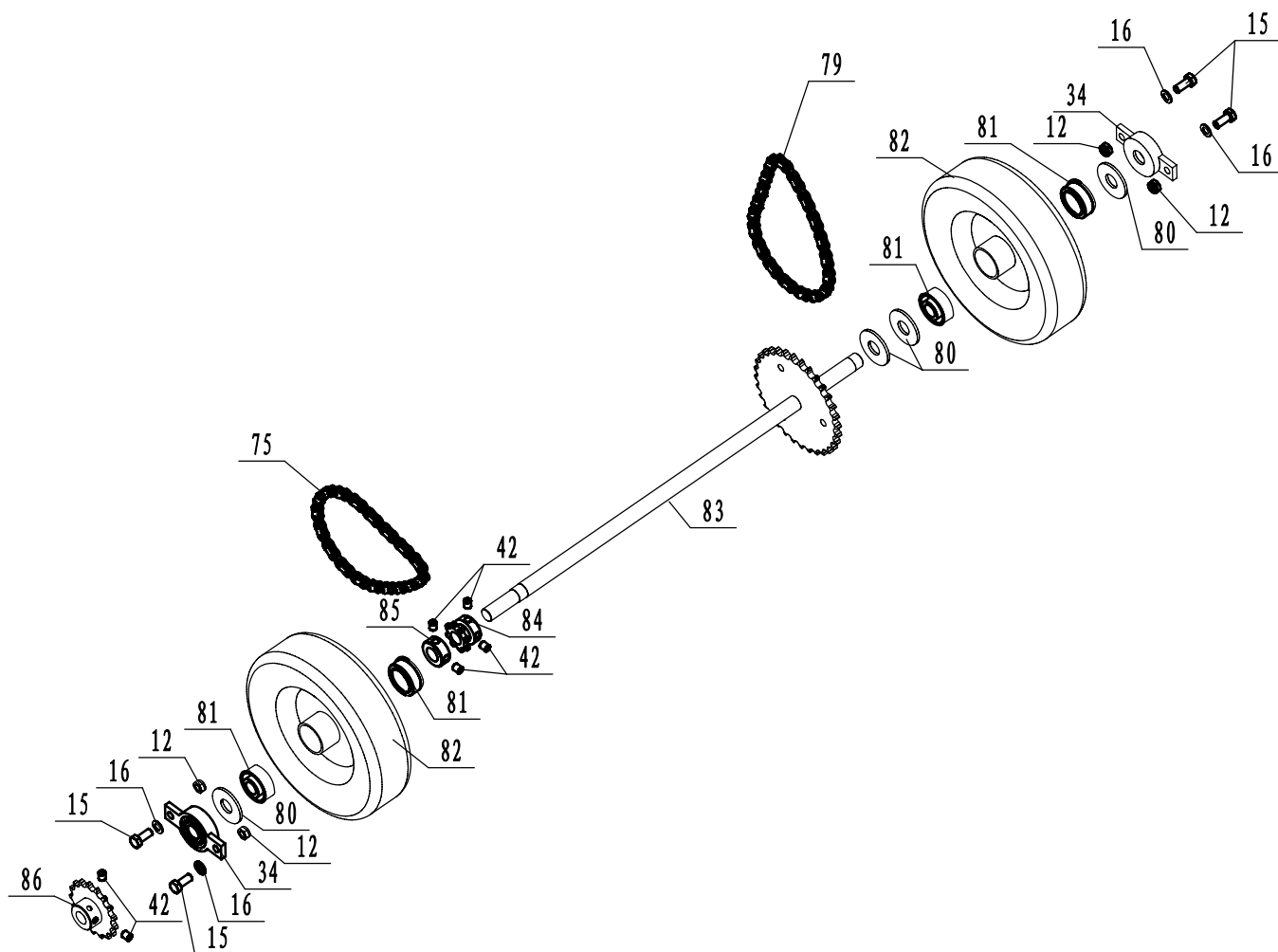


| ITEM | PART NUMBER | DESCRIPTION | QTY | COMMENTS |
|------|-------------|----------------------------------|-----|----------|
| 89 | H0202 | BEARING, REEL | 2 | |
| 90 | H0201-5 | BLADE, REEL, 20", 5 BLADE (HO) | 1 | |
| 90 | H0201-7 | BLADE, REEL, 20", 7 BLADE (HO) | 1 | |
| 91 | H0900N | SPACER, HOMEOWNER REEL | 1 | |
| 92 | H0820 | SPROCKET, REEL, 11T x 5/8, FRONT | 1 | |
| 104 | H0423 | GRIP, FLAT | 1 | |
| 105 | H0924 | RETURN SPRING | 1 | |
| 106 | 921 | NUT, 5/16-24 Z | 4 | |
| 107 | 25803H | HOOK, CATCHER 20-25" (HONDA) | 1 | |

PARTS INFORMATION

RL205H/207H

DRIVE SHAFT, WHEELS, REEL, CHAIN • FIGURE 4

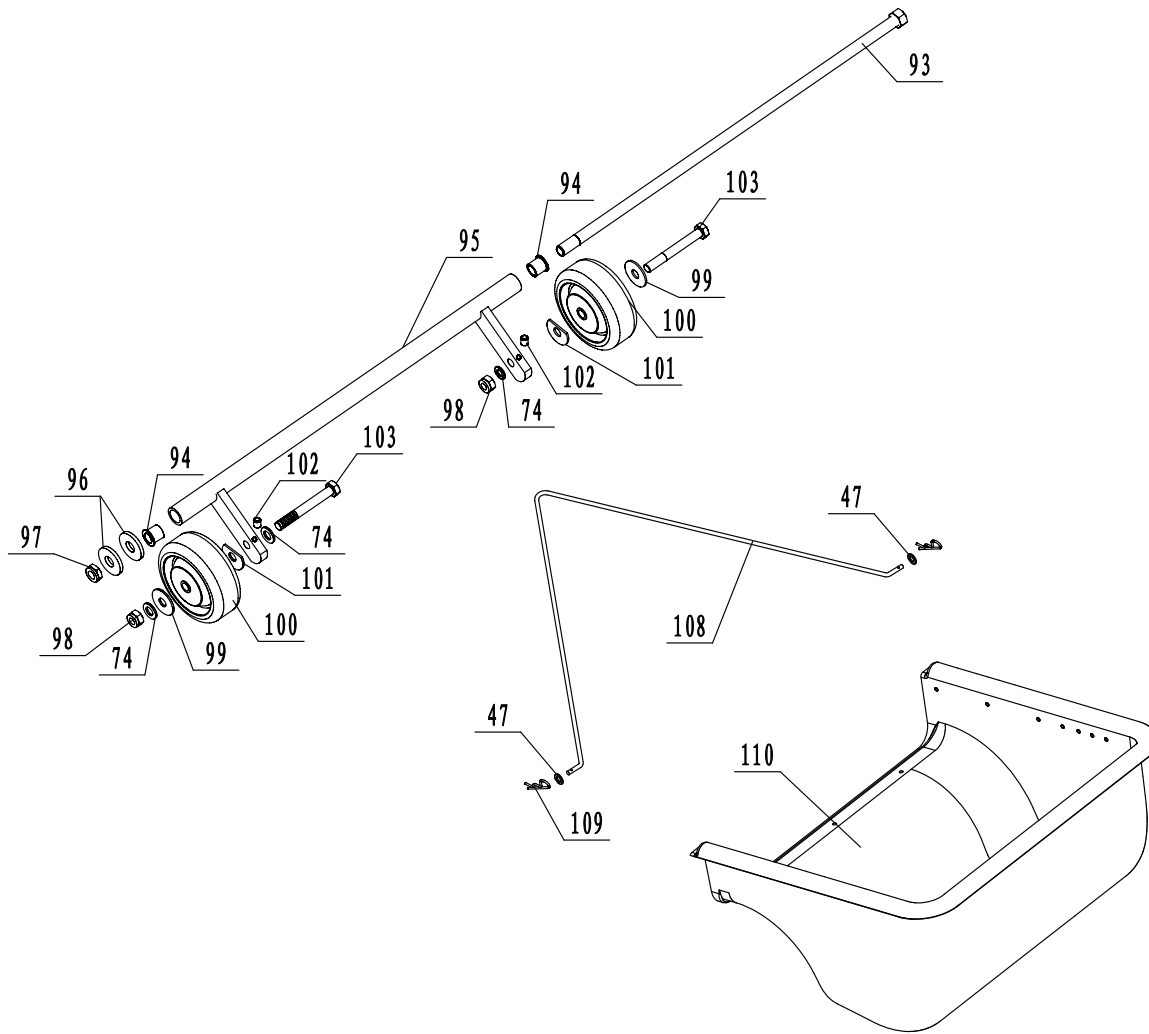


| ITEM | PART NUMBER | DESCRIPTION | QTY | COMMENTS |
|------|-------------|-------------------------------------|-----|------------------------------|
| 12 | 922 | NUT, 5/16-24 THIN NYLOCK | 4 | |
| 15 | 909 | BOLT, 5/16-24 x 3/4 HX G5 Z | 4 | |
| 16 | 928 | WASHER, FLAT 5/16 Z | 4 | |
| 34 | 25304 | HOLDER, BEARING, 2-EAR | 2 | Includes bearing (installed) |
| 35 | 25324 | BEARING, ROLLER/DRIVE SHAFT | 2 | |
| 42 | 935 | SET SCREW, 5/16-24 x 5/16 KNURLED | 6 | |
| 75 | H0611 | CHAIN, ROLLER, 40x36, NEW HO | 1 | |
| 79 | 25611 | CHAIN, DRIVE, 40x37, NEW HO | 1 | |
| 80 | 25323 | WHEEL SPACER | 4 | |
| 81 | 25307 | BEARING, WHEEL | 4 | |
| 82 | 25306 | TIRE ASSY W/BEARING | 2 | |
| 83 | H0301N | SHAFT, DRIVE 20", 11/16", HO | 1 | |
| 84 | 25823 | SPROCKET, ROLLER, SMALL, 8T x 11/16 | 1 | |
| 85 | 25315 | COLLAR | 1 | |
| 86 | H0310 | SPROCKET, AXLE, 17T x 5/8, REAR | 1 | |

PARTS INFORMATION

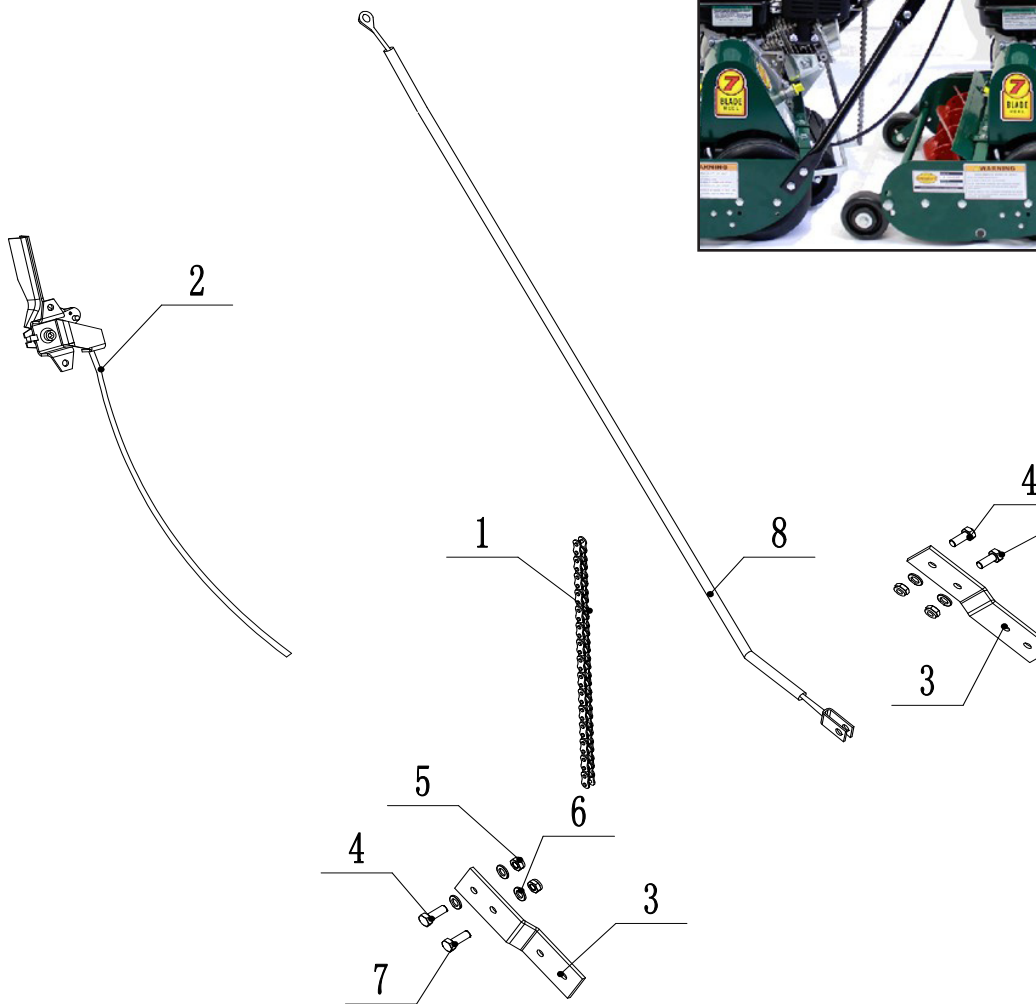
RL205H/207H

CASTERS & TIE ROD & GRASS CATCHER • FIGURE 5



| ITEM | PART NUMBER | DESCRIPTION | QTY | COMMENTS |
|------|-------------|---------------------------|-----|--------------------------------------|
| 47 | 948 | WASHER, 1/4 SAE FLAT Z | 2 | |
| 74 | 929 | WASHER, 3/8 SAE FLAT Z | 3 | |
| 93 | H0403 | ROD, TIE | 1 | |
| 94 | H0106 | BUSHING, CASTER BAR | 2 | |
| 95 | H0101N | BRACKET, CASTER 20" | 1 | Includes grease fittings (installed) |
| 96 | 930 | WASHER, 1/2 SAE FLAT G9 Z | 2 | |
| 97 | 924 | NUT, 1/2-20 NTE NYLON Z | 1 | |
| 98 | 908 | NUT, 3/8-16 NYLOCK Z | 2 | |
| 99 | H0929 | WASHER, SPECIAL | 2 | |
| 100 | 25102-2 | CASTER SET (2) | 1 | |
| 100 | 25102-2D | CASTER SET, DARNELL (2) | 1 | Optional |
| 101 | H0930 | WASHER, SPECIAL | 2 | |
| 102 | H0207 | FITTING, GREASE, M6 x 1 | 2 | |
| 103 | 917 | BOLT, CASTER AXLE, 20" | 2 | |
| 108 | H0802 | BAIL, GRASS CATCHER | 1 | |
| 109 | 960 | PIN, CLEVIS (CATCHER) | 2 | |
| 110 | 20801 | GRASS CATCHER KIT, 20" | 1 | Includes mounting hardware |

OPTIONAL HANDLE EXTENSION KIT • FIGURE 6



| ITEM | PART NUMBER | DESCRIPTION | QTY | COMMENTS |
|------|-------------|----------------------------------|-----|--|
| 0 | HEK-HO | HANDLE EXTENSION KIT | 1 | Fits 20" Classic Only (not older Home Model) |
| 1 | H0609L | ROLLER LIFT CHAIN, HI-CUT, 40x40 | 1 | |
| 2 | H0508NL | THROTTLE LEVER ASS'Y, HI-CUT | 1 | |
| 3 | HEK-102 | BRACKET, HANDLE EXTENSION, ALL | 2 | |
| 4 | 909 | BOLT, 5/16-24 x 3/4 HX G5 Z | 3 | |
| 5 | 922 | NUT, 5/16-24 THIN NYLOCK | 4 | |
| 6 | 928 | WASHER, FLAT 5/16 Z | 4 | |
| 7 | 910 | BOLT, 5/16-24 x 7/8 HX G5 Z | 1 | |
| 8 | H0507NL | CLUTCH CABLE, HI-CUT | 1 | |



FR-20 Front Roller, 20"

The FR-20 front roller replaces the caster bar and casters on your 20" Cal Trimmer mower. There are several advantages. First, this adds a little weight to the front of the mower which is desirable for rougher yards. It also makes the blade cut at the highest contour of the yard and prevents the casters from dipping into flower beds. Finally, you get the stripe in the lawn because it lays the grain of the grass in the same direction that you are mowing. The height adjustment and level of height is the same as the original caster wheels.



#H0907 Backlapping Kit

Back lapping does not replace the need to sharpen your reel and bed knife, especially if you have dents or other kinds of blade damage. However, if your blades are in good shape and you want to fine tune (sharpen) the bed knife to reel orientation, this is a good solution. It requires some patience but good instructions are included. The kit also includes a drill adapter, a 10 ounce jar of #80 back lapping compound, a replacement sprocket (#H0820) and a really high end paint brush from Walmart. In a nutshell, back lapping is to run the blades backwards after applying grinding compound. This requires some grinding, then adjusting, more grinding, then adjusting but once you are done you can cut a very thin piece of paper which is the goal.

P/N 25102-2D DARNELL CASTER SET, (2 casters)



Optional Darnell casters provide a smooth yet durable / long lasting ride for your California Trimmer mower.

Decal Set, Order #25900



Original Trimmer Decal
Order #25913