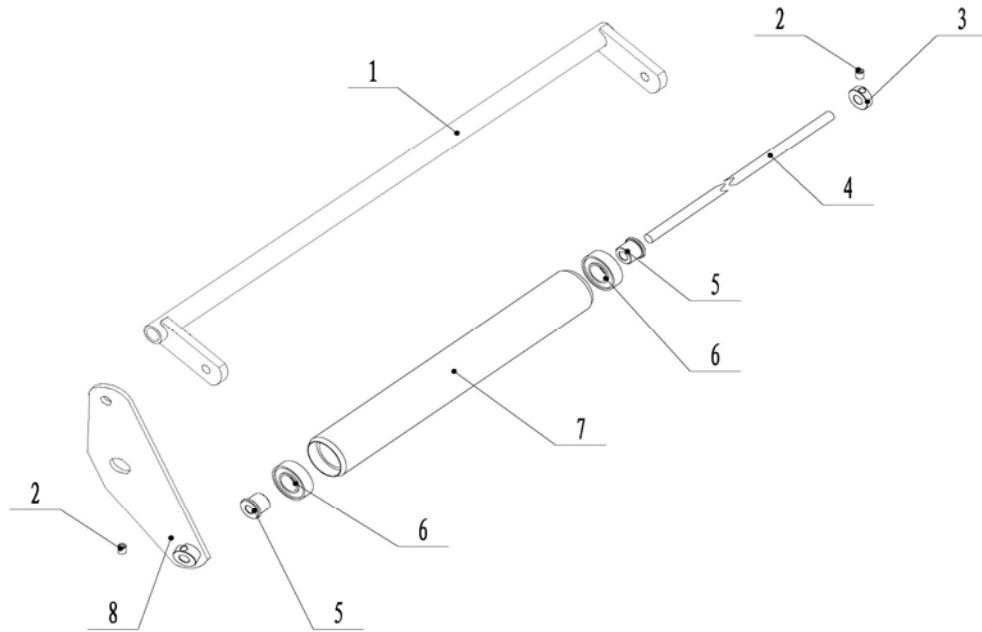


20/25" Front Roller



FR-20 - 20" Front Roller Assembly

Ref #	Part Number	Description	Qty	Comments
1	H0939	FRAME, FR-20, GREEN	1	
2	935	SET SCREW, 5/16-24 x 5/16 KNURLED	2	
3	H0940	COLLAR, FR-20, FR-25	1	
4	H0941	ROLLER SHAFT, FR-20	1	
5	H0942	BEARING SLEEVE, FR-20, FR-25	2	
6	H0934	BALL BEARING, FR-20, FR-25 ROLLER	2	
7	H0943	ROLLER ONLY, FR-20	1	
8	H0944	BRACKET, GREEN, FR-20, FR-25	1	

FR-25 - 25" Front Roller Assembly

Ref #	Part Number	Description	Qty	Comments
1	H0945	FRAME, FR-25, GREEN	1	
2	935	SET SCREW, 5/16-24 x 5/16 KNURLED	2	
3	H0940	COLLAR, FR-20, FR-25	1	
4	H0946	ROLLER SHAFT, FR-25	1	
5	H0942	BEARING SLEEVE, FR-20, FR-25	2	
6	H0934	BALL BEARING, FR-20, FR-25 ROLLER	2	
7	H0947	ROLLER ONLY, FR-25	1	
8	H0944	BRACKET, GREEN, FR-20, FR-25	1	