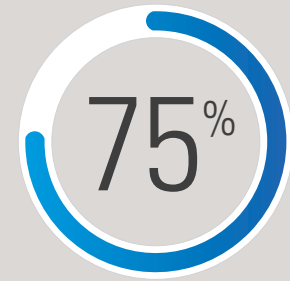
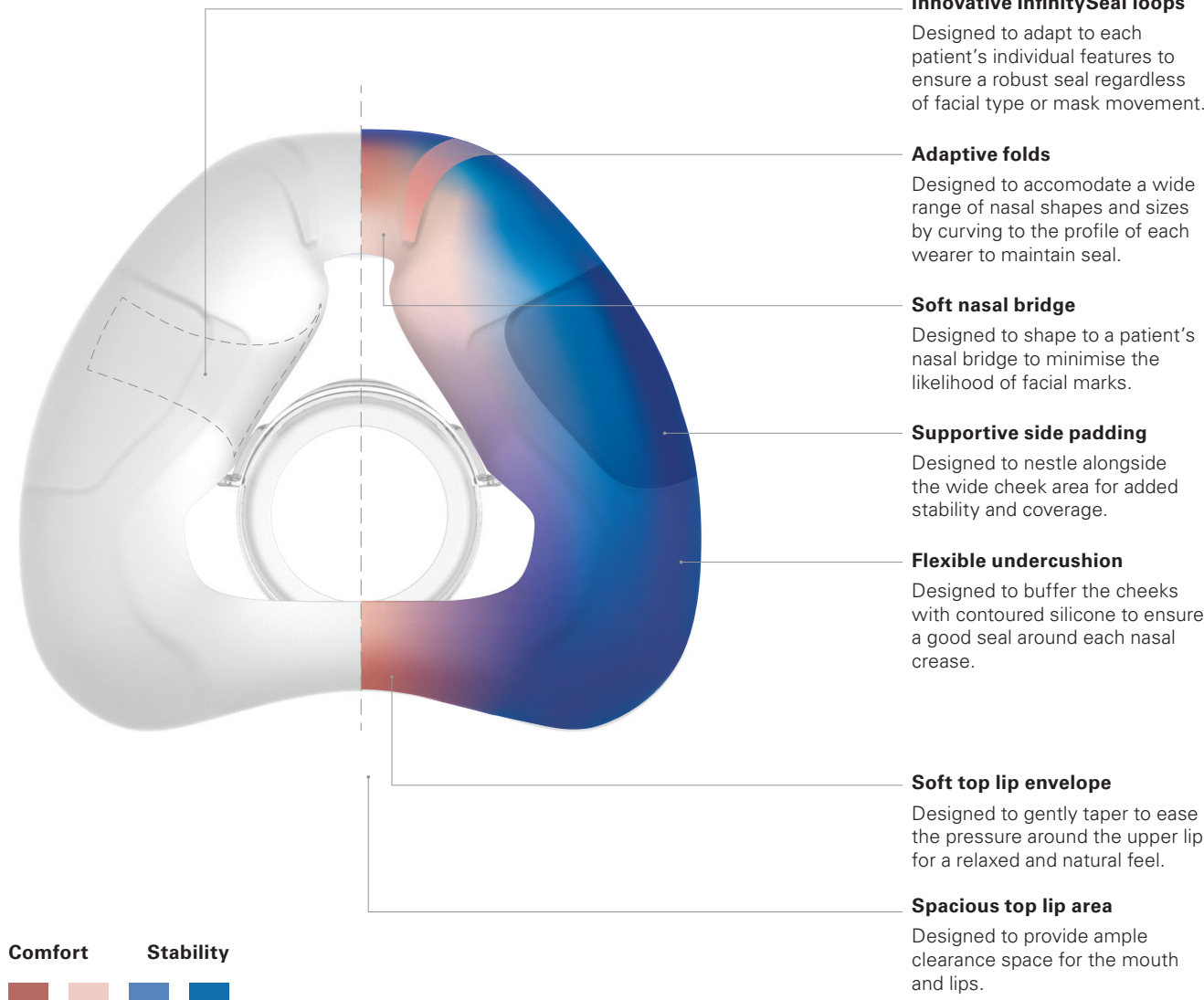


In a ResMed study, 75% of patients found AirFit N20 provides greater stability than their current nasal mask.¹



Evolving cushion technology: one cushion with variable thickness designed for more comfort and stability



Fitting guide

for AirFit N20 compact



- Start by ensuring the magnets on the lower straps are unclipped.
- If they are clipped, detach them by twisting and pulling them away from the frame.



- Pull the headgear over the head making sure the ResMed logo is facing outwards.



- Position the lower straps so they both sit below the ears.
- Bring each of the magnets up to meet their corresponding clips on the frame.



- Adjust the fastening tabs on the upper straps until the mask feels even and stable.
- Reattach the fastening tabs.



- Repeat Step 4 with the lower straps.



- Connect the device's air tube to the elbow, then click the elbow into the front of the mask.
- Start your device.

Refer to the user guide for further instructions.



Additional options

- A patient can position the lower part of the headgear over or under their hair to suit any hairstyle preference.

¹ ResMed internal study of 24 existing ResMed patients, conducted between 23/11/2015 - 21/12/2015 comparing the market leading mask with AirFit N20 ; ID A3695085.
² ResMed AirFit N20 internal global fitting study of 159 existing ResMed patients, conducted 12/11/2015 ; ID A3697629.

ResMed Ltd
1 Elizabeth Macarthur Drive
Bella Vista NSW 2153 Australia

AirFit and InfinitySeal are trademarks of ResMed Ltd.
Velcro is a trademark of Velcro Industries B.V.
Specifications may change without notice. © 2018 ResMed Ltd. 10110374/1 2018-01

ResMed.com/AirFit20



for AirFit N20 Classic



- Start with the lower straps unhooked from the frame.



- Ensure the mask logo is facing downwards.
- Hold the mask against your face and pull the headgear over your head.



- Bring the lower straps below your ears, and hook the straps into the mask frame.



- Adjust the Velcro tabs on the upper straps until the mask feels even and stable. Do not overtighten.
- Reattach the Velcro tabs.



- Repeat Step 4 with the lower straps.
- Reattach the Velcro tabs.



- Connect your device's air tube to the elbow, then click the elbow into your mask.
- Start your device.



The compact and classic nasal masks designed to easily fit everyone

Every patient's face is different, but our AirFit N20 and new AirFit N20 Classic nasal masks make it quick and easy to fit a broad range of patients.

Patients who like a clear line of sight will love the compact version while those who prefer a classic mask will appreciate the freedom and flexibility of the new adaptive frame.



Designed to fit

Every AirFit mask features the InfinitySeal™ silicone cushion - made to seal robustly on a wide range of facial shapes or sizes.

Soft and gentle

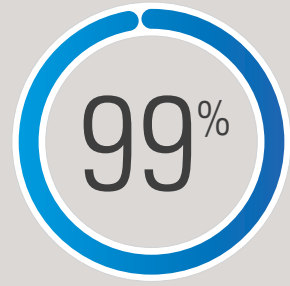
Both the classic and compact masks are gentle on the skin. With a soft cushion and headgear, your patients will enjoy a more comfortable therapy experience.

Made to mix and match

The AirFit N20 and AirFit N20 Classic nasal masks use the same cushion for greater flexibility and efficiency. You have fewer products to manage; your patients have more options to choose from.

ResMed.com/AirFit20

In a ResMed international study, AirFit N20 fit 99.4% of all patients.²



With the InfinitySeal silicone cushion, the AirFit N20 and AirFit N20 Classic are designed to adapt to the unique facial contours of each patient, so you can be confident in providing a secure and comfortable mask fit.



AirFit™ N20



Compact nasal mask

Visual freedom

Let patients see and do more in bed with an under-the-eye frame that combines all-round stability and less facial contact.

Extra movement

A short, flexible tube interconnects the elbow to the machine tube, allowing patients to move more easily without encountering tube drag or leakage.



Soft frame

Padding has been seamlessly incorporated into the face-side of the frame to ensure comfort at every touchpoint.

Soft and gentle

Specifically designed for extra softness, the plush headgear helps ensure patients settle into therapy quickly and comfortably.

Classic support

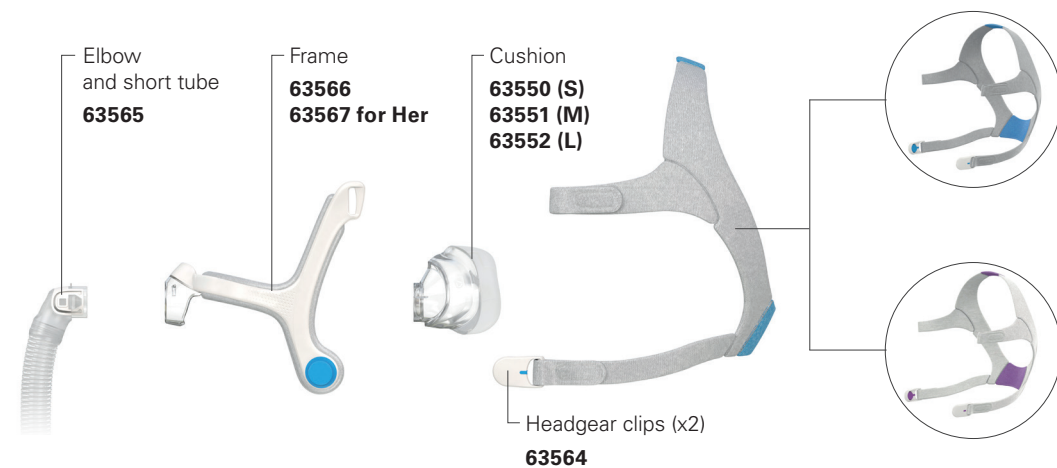
Forehead support from an adaptive frame is designed to tolerate movement and still deliver on performance.

Dependable seal

Set patients up with a reliable seal thanks to the InfinitySeal silicone cushion – designed to prevent blow-outs, tolerate misfitting and seal well under variable pressures.

Fast fitting time

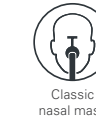
Taking the mask on and off is convenient and easy, with magnetic clips that guide the headgear to the frame in seconds.



AirFit N20 headgear
63560 (S)
63561 (STD)
63562 (L)

AirFit N20 for Her headgear
63558

AirFit™ N20 CLASSIC



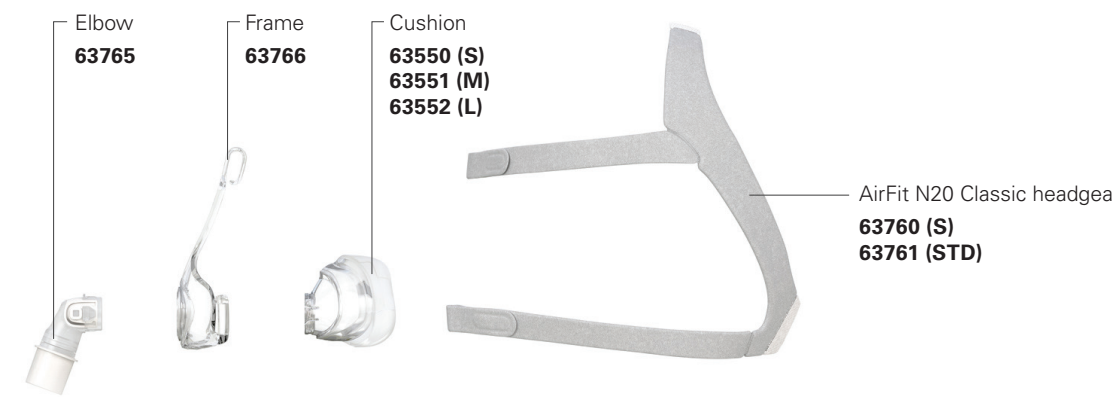
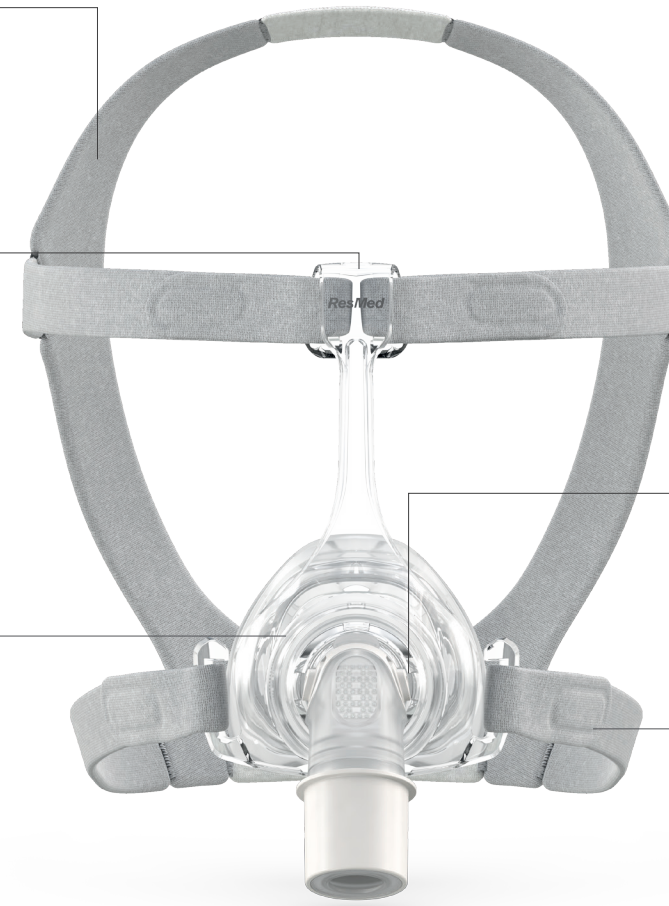
Classic nasal mask

Quick to disconnect

The quick-release elbow is designed to be simple to connect and disconnect, so patients can move in and out of bed with ease.

Easy fitting

Classic Velcro™ tabs for fitting and smooth slide-in hooks for fastening make everyday handling easy.



AirFit N20 Classic headgear
63760 (S)
63761 (STD)

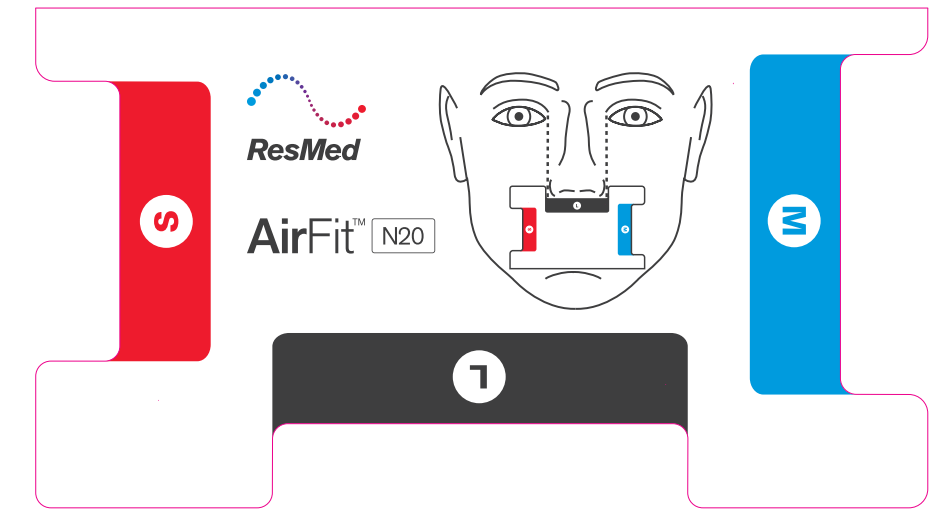
Sizing tips

AirFit N20 and AirFit N20 Classic masks have three interchangeable cushion sizes - small, medium and large.

The modular design of the AirFit N20 and AirFit N20 Classic masks means each size cushion easily clicks into the same mask frame, so you can swap between them with ease for more flexibility.

We recommend that you refer to the mask fitting template to gauge which size is the most suitable for each of your patients.

You can download it on [ResMed.com/AirFit20](https://www.resmed.com/AirFit20)



Product codes

AirFit N20	ANZ
AirFit N20 for Her: Small	63520
AirFit N20: Medium	63521
AirFit N20: Large	63522

AirFit N20 Classic	ANZ
AirFit N20 Classic: Small	63723
AirFit N20 Classic: Medium	63724
AirFit N20 Classic: Large	63725