



POWERDRIVE 221

[PULLEY]

CONTROL SYSTEM



USER MANUAL
MANUEL D'UTILISATION
BENUTZER HANDBUCH
MANUAL DEL USUARIO
ユーザー・マニュアル

CABRINHA







WARNING

DO NOT USE THIS PRODUCT UNLESS YOU HAVE READ AND UNDERSTAND THESE WARNINGS, CAUTIONS, AND INSTRUCTIONS WHICH ARE FOR YOUR SECURITY AND PROTECTION. THIS INFORMATION MAY BE SUBJECT TO CHANGE AT ANY TIME. FOR CURRENT UPDATES, PLEASE VISIT OUR WEBSITE AT: **WWW.CABRINHAKITES.COM**

IF YOU ARE BELOW THE AGE OF 18, YOU SHOULD HAVE YOUR PARENT OR GUARDIAN READ THESE WARNINGS, CAUTIONS AND INSTRUCTIONS AND SHOULD NOT USE THIS PRODUCT UNLESS YOU ARE UNDER THE PROPER GUIDANCE AND SUPERVISION OF SUCH A PERSON.

The use of this product exposes the user to many unavoidable and unexpected risks, dangers and hazards. The suppliers of this product are not responsible for any damage to property or any personal injury caused by any active negligence of the suppliers or by any use, misuse, abuse or irresponsible use of this product by the user.

Kitesurfing is an extreme sport. Power kites and their lines and control equipment can be dangerous to flyers and to anyone in the vicinity of their use. Kitesurfing must be taken seriously and we recommend that, at least in the early stages of your use, you seek the guidance of professional instructors and experienced kiteboarders. Improper and/or unreasonable use of this kite may result in death or serious injury to any part of your body and to others. Do not use your kite near power lines, airports or streets, and keep your kite fly lines away from people and obstacles. Always fly in an open area and observe wind and weather conditions, particularly in circumstances where you may encounter offshore, onshore winds or strong winds. Do not attempt to use your kite on water until you are confident and comfortable with the use of a trainer kite on land. Spend time to become familiar with the operation of your kite and remember that you are responsible for its operation and for the security of those around you. As you learn the sport, work within your own limitations and do not exceed them. If you intend to use the kite on water, always use appropriate protective gears and flotation devices and do not attach yourself or tie yourself permanently to the kite lines. The kite is not intended for use as a flying device nor indeed is it intended as a means of flotation.

RECOMMENDED KITESURFING PRACTICE:

KITESURFING is an extremely diverse sport, with many disciplines and ability levels. As with all sports, there can be certain inherent risks. The following contains key security points to remember when operating your Cabrinha kite.

...continues to next page





continued from previous page...

! WARNING

- Kitesurfing is a HAZARDOUS activity and the use of Kitesurfing equipment involves the risk of serious personal injury to any part of the user's body or death.
- Injuries are an INHERENT RISK of kitesurfing and the participation in kitesurfing implies the user's acceptance and express assumption of those risks.
- Children should always be under adult supervision.
- It is strongly recommended that beginners take lessons.
- ALWAYS inspect your equipment for signs of wear and tear each time before use, particularly all lines, canopy, bladders, screws and fittings.
- IF any products are found to show signs of wear & tear these should be repaired or replaced immediately and before further use. If in doubt about any signs of wear & tear, please contact your local vendor. Contact details are available from www.cabrinhakites.com
- NEVER place yourself in a situation where breakage of any one of the various kitesurfing components would pose a risk to yourself or others, or make it impossible to return to the shore securely & unassisted.
- Make sure you use properly designed and manufactured parts from reputable suppliers.
- Take time to study the conditions including sea state, tides, currents, weather conditions and forecasts before you decide to go sailing. Beware of sailing in offshore or onshore winds.
- Familiarize yourself with any new location before venturing onto the water. Ask the locals to tell you about any hazards.
- Watch out for other beach users, especially swimmers and small children. Make sure you keep your board and rig under control at all times and that they don't get blown about on the beach or in the water.
- Always use appropriate protective gear and floatation devices. Wear the correct protective clothing for the conditions such as a wetsuit or a UV top. It is recommended to wear a helmet.
- Make sure someone knows where you've gone & when you are expected back – always sail with a buddy.
- Be aware of the conditions as they change. Always return to the beach if there is a significant change in the conditions. i.e. wind dropping or wind & waves increasing.
- As you learn the sport, work within your own limitations and do not exceed them.
- Do not alter, modify or change this product.
- This product is designed and manufactured only for kitesurfing on water.
- Keep these warnings, cautions and instructions for future reference.





INDEX

- 2 Introduction
- 3 Important Information
- 4 Wind, Water, & Weather Conditions / Wind Range Chart
- 5 Know Your Ability Level / Kiteboarding Location
- 6 Important Information
- 7 Beach Etiquette

KITE OVERVIEW & CONTROL SYSTEM

- 8 POWERDRIVE 221 [pulley]

SETUP

- 10 Check Your Line Lengths
- 11 Line Length Corrections
- 12 Downwind Launch Setup
- 13 Upwind Launch Setup

CONTROL SYSTEM

- 14 Quick Release
- 15 Security Pin
- 16 Centerline Adjustment Strap
- 17 BYPASS™ Leash
- 18 OVERRIDE™ 2

REPAIR

- 21 Replacing Your Flying Lines
- 22 Glossary

POWERDRIVE 221 [PULLEY]

USER MANUAL





INTRODUCTION



THANK YOU

for purchasing a Cabrinha kite and welcome to the sport of kiteboarding. As you may know, the excitement of Kiteboarding is attracting people of all ages from all corners of the globe. It's one of the most dynamic and fastest growing sports in the world.

CAUTION: It can also be overwhelming if not approached in an educated manner. That's why we have supplied this extensive user's manual. It will help to educate you about your new kite and about the ways in which to use it. It contains information regarding the setup, care and maintainance of your control system. Please note that only compatible Cabrinha bow kites will benefit from all of the security and performance functions associated with this control system. Consult www.cabrinhakites.com for a list of compatible kites for use with this control system.

Please read this user's manual carefully and entirely before using this kite. This manual is not intended to replace proper kiteboarding instruction, but rather to supplement it. Do not attempt to kiteboard without appropriate instruction. It will make this sport more enjoyable, not only for yourself, but for those around you.





IMPORTANT INFORMATION

IMPORTANT INFORMATION

KITEBOARDING is an extremely diverse sport, with many disciplines and ability levels. As with all sports, there are certain inherent risks. The following contains key points to remember when operating your Cabrinha kite.

- Be familiar with the set up and use of the supplied security systems: OVERRIDE™ 2 and the Harness Loop Quick Release systems.
- Make sure your POWERDRIVE 221 [pulley] is rigged and used according to the supplied instructions.
- Make sure your kite is compatible with the POWERDRIVE 221 [pulley].
- Always use your Cabrinha kite with a security system.
- NEVER permanently attach yourself to this kite, the control bar, or lines.
- NEVER use this kite as a flying device.
- NEVER touch the kite lines while they are under tension; do not catch the kite using these lines.
- When inflated but not in use, secure your kite with sand or with something heavy and non-abrasive; the more weight the better (see “Kite Care” for more information). An inflatable power kite will still fly, even without a rider, so be mindful of those around you and secure your kite. Your kite may cause serious injury or death if it launches unexpectedly.
- Do not lend your gear to someone who has not been fully instructed on the use of inflatable kites. Other users should also read this user’s manual and be proficient in all its points.
- Check your gear before going on the water. Insure that your flying lines, security systems, kite, board, etc. are all rigged properly and are in working order.

PROTECTIVE GEAR

We strongly recommend the use of the following protective gear:

- Helmet
- Life Jacket, Impact Vest, or Flotation Vest
- Neoprene Wet Suit
- Gloves
- Foot Protection
- Eye Protection
- Knife
- Sunscreen





IMPORTANT INFORMATION

WIND, WATER, & WEATHER CONDITIONS / WIND RANGE CHART

WIND, WATER, AND WEATHER CONDITIONS

- Do not underestimate the power of the wind.
- Be aware of unpredictable and changing weather conditions.
- Avoid “offshore” or “onshore” wind conditions.
- Avoid strong, gusty wind.
- Be careful of wave conditions, especially when learning.
- Be educated about tides and rip currents.
- Be mindful of your ability level. Do not kiteboard if conditions are beyond your ability level.
- Be educated about air and water temperatures and wear appropriate protection against the elements.
- Do not use this product in thunderstorms.
- Consult an anemometer to determine wind speeds if necessary.
- Do not use an oversized kite. Consult your Wind Range Chart for the correct recommended size. Use your common sense. If in doubt about what kite size to use, choose smaller rather than bigger.
- Make certain that you are physically capable of operating the security Quick Release(QR) and Override™ 2 devices provided with this kite. This kite and control system has been designed around a typical rider weight of 75kg.

Riders with a weight greater than 75kg may need to use more force to operate the QR than lighter riders. Increases in wind strength may also result in greater force being required to operate the QR. Be certain to seek the advice of a professional such as your Authorized Cabrinha Dealer about the performance of the security systems in relation to body weight.





IMPORTANT INFORMATION

KNOW YOUR ABILITY LEVEL / KITEBOARDING LOCATION

KNOW YOUR ABILITY LEVEL

- Do not attempt kiteboarding without appropriate instruction.
- Do not kite alone.
- Launch, land, and ride together with a partner or have someone on shore who can keep an eye on you.
- Make sure you are in good physical condition before using this product.
- Practice flying a small, traction kite or a “trainer kite” before flying this kite.
- The more time spent on the “trainer kite”, the faster you will learn.
- Make sure you are a proficient swimmer before using this product in or near the water.
- Make sure the wind and water conditions are within your ability level and that you have made the correct equipment choices.
- Never kiteboard further from shore than you are able to swim back.
- Always save a reserve of energy; end your kiteboarding session before you are exhausted.
- Make sure you’ve done your homework and that you know the security precautions of all aspects of the sport: rigging, launching, landing, flying, riding, kiting among other water users, self rescuing, etc.
- Understand your security systems before ever launching your kite.
- Understand the technique of self-rescue before using this product in or near the water.
- Never let someone who is not familiar with inflatable kites launch, catch, or use your kite. You will endanger them, as well as yourself and those around you.
- You are responsible for the proper operation of your kite.

KITEBOARDING LOCATION

- Observe local laws and regulations regarding this product and the usage area.
- Talk to the local riders about the weather conditions and beach rules.
- Check your area thoroughly before launching your kite.
- Make sure you have considerable space in which to launch, land, and use this product.
- You should have at least 100 meters of space on both sides and downwind of you. Be especially aware of your downwind area.
- Be mindful and aware of the wind direction in relation to your launch area.
- Avoid areas with rocks and/or shallow or exposed reefs.
- Be mindful of tide changes. As water levels change, you may be exposed to new obstructions.
- Avoid launching, landing or using this product near power lines, telephone poles, trees, people, pets, buildings, automobiles, streets, sharp objects and airports.
- Avoid crowded beaches and waterways.
- Make sure your lines do not cross a walkway or passage.
- Do not let others walk between you and your kite.
- Be careful and mindful of other water users, including windsurfers, boaters, jet skiers, swimmers, floating objects, etc.
- Before launching, make sure you have scouted a backup landing area, in case you do not make it back to your launch spot.



IMPORTANT INFORMATION

KITE CARE

Due to the often extreme nature of kiteboarding, a thorough approach should be taken when caring for your kite and all its associated rigging, as well as your protective gear.

PREPARING FOR YOUR SESSION

- Thoroughly check your protective equipment (helmet, etc.) to make sure it is in working order and in good condition.
- A frequent inspection of the kite and the control system should be made in order to identify punctures, tears, or abrasions in the canopy, struts, or security systems. It is also necessary to check the fly lines for wear and for unwanted knots, which may reduce the strength of the fly lines.
- Do not rig on asphalt, cement, gravel, or other abrasive surfaces; doing so may damage your equipment. It is best to rig on sand or grass. Damage done to your equipment by rigging on abrasive surfaces will not be covered under warranty.
- Do not rig among sharp objects that could tear the canopy or puncture the struts and leading edge bladder.
- Take care not to expose your flying lines to sharp objects that may wear through them.
- While setting up, secure your kite with sand or sand bags. Do not secure your kite with rocks or other sharp or abrasive objects that may damage your kite.

BETWEEN SESSIONS

- Never leave an inflated kite unattended on the beach for a long period of time. Winds may shift or change and the kite may become unsecured and fly off.
- Do not leave an inflated kite (secured or not), directly exposed to the wind for any length of time. This allows the trailing edge to flutter excessively, which can damage the kite or tangle the bridles/control lines. If you must leave the kite exposed to the wind on the beach, place sufficient amounts of sand between each strut and near the trailing edge to minimize or stop the fluttering.
- Do not leave your kite exposed to sunlight for long periods of time. Between sessions, choose a shaded area to secure your kite. When not in use, stow away.

PROPER STORAGE

- It is recommended to wash your kite with fresh water and dry thoroughly before rolling and storing.
- Do not roll up kite when wet.
- Clear the kite of sand or other foreign objects before stowing.
- Once it is clean and dry, stow your kite in the supplied bag in a clean, dry, cool place.
- Do not place heavy objects on the bag containing the kite.
- Do not leave your kite inflated in your car or car rack box; exposing the kite to extreme temperatures while inflated may damage the internal bladders.
- Wash your control system with fresh water from time to time by placing the entire control system (with lines wound onto the bar) into a bucket of fresh water and let it sit for 5 minutes. Allow to dry thoroughly before storing in a dry location.
- Once it is clean and dry, stow your control bar in the supplied bag in a clean, dry, cool place.





BEACH ETIQUETTE

BEACH ETIQUETTE

Here are some basic things to consider when sharing beaches and water accesses with other users:

SAFETY

- Follow the instructions outlined in this manual.
- Follow the instructions and rules and regulations posted at the beaches you use.
- Check with local kiteboarding associations and shops prior to launching in a new area. There may be local rules and regulations to follow which are not posted.
- Utilize common sense.
- Do not touch other people's gear, unless instructed to do so by the owner. Picking up their bars, kites, etc. may disrupt a setup ritual they have.
- Always secure your kite with sand or sand bags. An unmanned kite is dangerous.
- Never leave an inflated kite unattended. Winds may shift and cause the kite to become unsecured and fly off.

SETTING UP

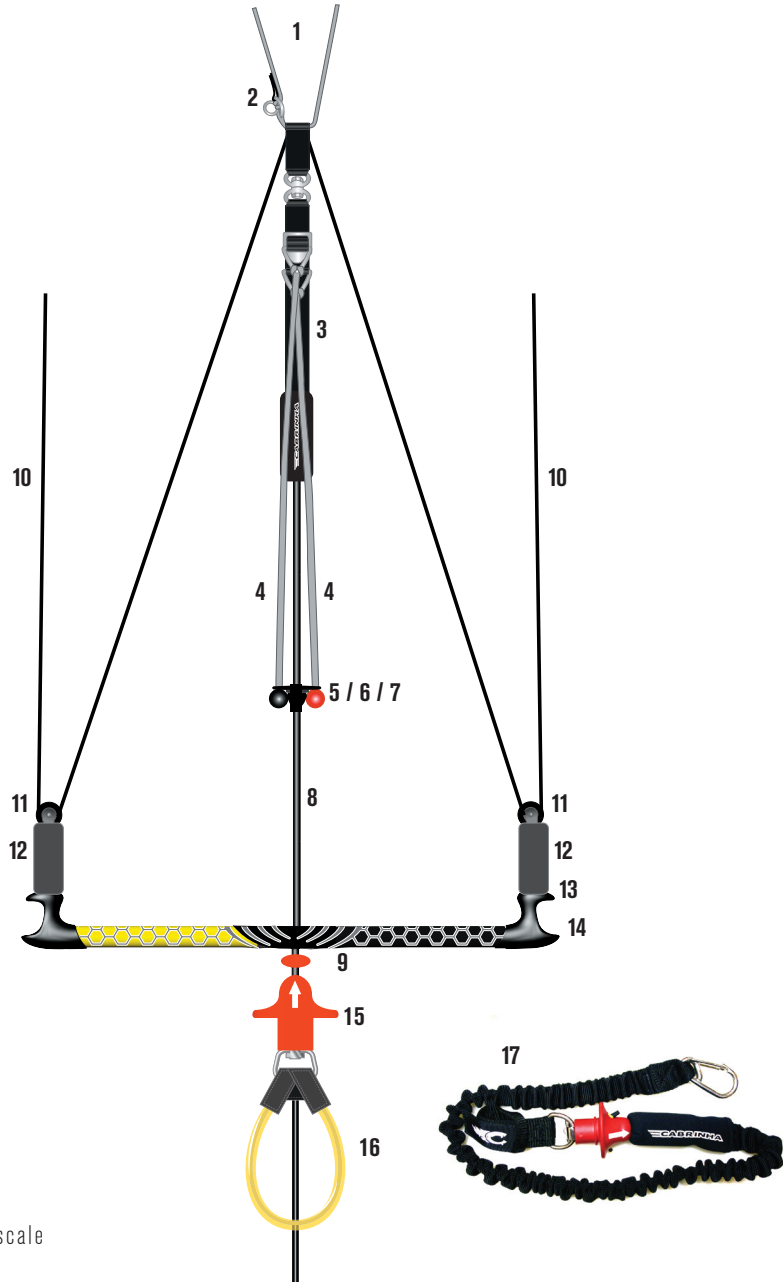
- Set up only the gear that you plan on using immediately. Deflate and put away your kites when not in use.
- Set up in an area where you have plenty of space.
- Set up in a manner conducive to having multiple users in the area.
- Roll up your lines when not in use.
- Always keep other beach and water access users in mind when launching, landing, and kiteboarding.
- Yield to other beach users. Be courteous and cooperative.
- Always be ready to lend assistance to other kiteboarders. The favor may be returned sooner than you think.





OVERVIEW

POWERDRIVE 221 [pulley]



*image not to scale



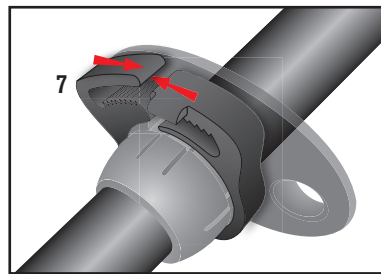
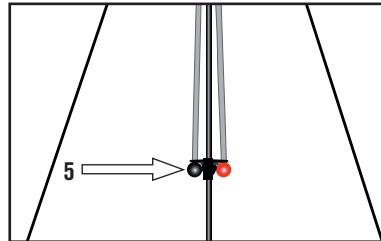


OVERVIEW

POWERDRIVE 221 [pulley]

OVERVIEW - POWERDRIVE 221 [pulley]

1. Front Leader Lines
2. Flagging Ring
3. Centerline Adjustment Strap (KS60VUPKT)
4. Power/Depower Extensions
5. Override Unit
6. Override Sleeve (KS60RT2)
7. Tension Ring (KS60TRRING)
8. Depower Main Line (KS6SQCLDL)
9. Leash Interface (KS6SPLIB)
10. Rear Leaders (KA6CCBL)
11. 2-1 Depower Pulleys (KS6CBEP)
12. Bar Floats (KS6CBBF)
13. Line Managers
14. Multi-Function Bar Ends (KS6CBEF)
15. Harness Loop Quick Release
16. Harness Loop (KS6HL)
17. Bypass Leash (KS6BPLS)





SETUP

CHECK YOUR LINE LENGTHS

CHECK YOUR LINE LENGTHS

The Cabrinha control bars come set up with the flying lines attached; however, it is wise to check your line lengths before going on the water. To do so, follow the directions below:

CAUTION: The POWERDRIVE 221 [pulley] can be adjusted in the same manner as outlined below.

- Loop a piece of line (any rope or cord) around a tree or fence post.
- Tie the line in a knot around the tree, leaving a piece long enough to attach all lines.
- Roll out the flying lines from the post and set the control bar on the ground, facing up, with the yellow control lines on the left and the black control lines on the right (looking from your bar to the post). Make sure there are no obstructions in between your bar and the post.
- Make sure your flying lines are not twisted or crossed.
- At the ends of the flying lines nearest the post you will notice that there are eyelets on the rear steering lines and front de-power lines. The overhand knots on the front (de-power) lines are there to eliminate incorrect connection to the kite.
- Take the rope attached to the post and feed it through the eyelets on all four lines, with the yellow on the left and the black on the right.
- Tie a bowline knot, with all four lines inside the loop.
- Walk back to the control bar.
- Make sure that the centerline adjustment strap is fully extended, so that the kite is set up at full power.
- Standing directly in line with the post, pull back hard and steady on the control bar by pulling straight back toward yourself.
- Your control bar should be in line with your shoulders and should be straight and not at an angle.
- All of the lines should have even tension under pressure. (I.e. no slack in the de-power lines, steering lines).
- If your control bar is even, your control system is ready to attach to your inflated kite.



If your control bar is even, proceed to
SETUP - INFLATING YOUR KITE

If your control bar is NOT even, follow
the instructions in SETUP - LINE LENGTH
CORRECTIONS





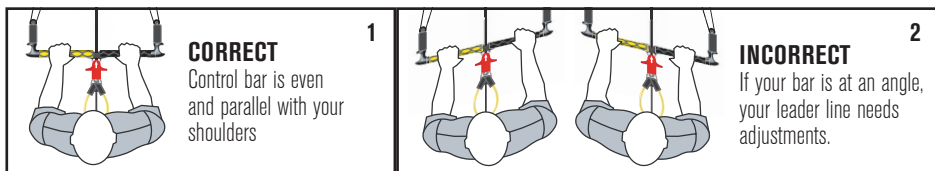
SETUP

LINE LENGTH CORRECTIONS

LINE LENGTH CORRECTIONS

Adjustments are made by moving one or both of the knots on the ends of the leader lines. Your goal is to have all of your flying lines the same length.

- If one of the steering lines is too long, loosen the knot (located at the CAS on the long side) and move it away from the control bar.
- If one of the steering lines is too short, loosen the knot (located at the CAS) and move it towards the bars.
- Re-tighten the knot and check your line length again. Adjust again if necessary until the control bar is balanced.
- DO NOT put knots in your FLYING LINES. Knots in the flying lines compromise the life of the line. Put knots only in your LEADER LINES.
- It is unlikely that your center de-power lines are uneven. If they are, you make the correction by adjusting the knot on the center leader assembly. If the yellow sheathed line is too long, you will need to move the knot on the black line towards the kite. If the same de-power line is too short, move the knot on the black line towards the bar.
- Once you've made the proper adjustment, check the bar again. All four lines should be the same length and the bar should be balanced.





SETUP

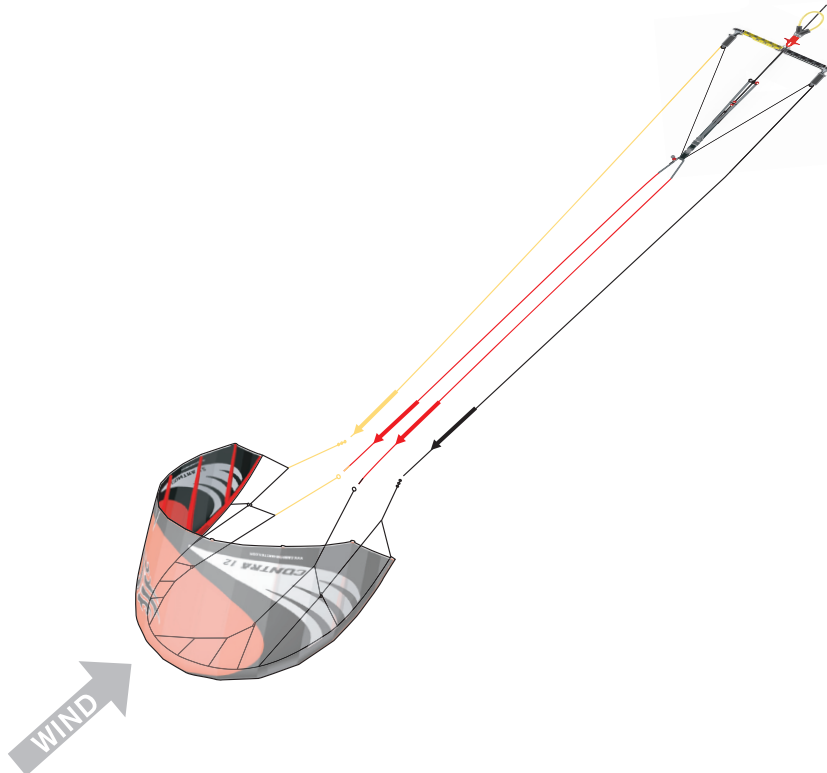
CONNECT AND LAUNCH - DOWNWIND LAUNCH SETUP

DOWNWIND LAUNCH SET UP (Bar downwind of kite)

- Lay the bar 30 meters downwind of the kite so that the wing tips are facing the control bar (the leading edge of the kite should be facing into the wind). When setting the bar up downwind of the kite, you must turn the bar upside down before walking the lines out. This means that as you are looking toward the kite from behind, the yellow-sheathed lines will be on the right, while the black-sheathed lines will be on the left.
- Lay out and clear the bridle.
- Walk out the steering (outside) lines and using a larks head knot, attach them to the middle knots on the trailing edge or back bridles (remember, yellow-to-yellow; black-to-black).
- Walk out the white de-power (center) lines and slip each knot into the larks head loops on the corresponding leading edge or front bridles (remember, yellow-to-yellow; black-to-black). Make sure that the de-power lines do not cross the steering lines.
- The lines should not cross each other or be twisted.

Your kite is now ready to fly

Please see the sections of this manual that relate to safety and make sure you are familiar with the conditions before getting on the water. Kite tuning tips are located in this manual under Tuning.





SETUP

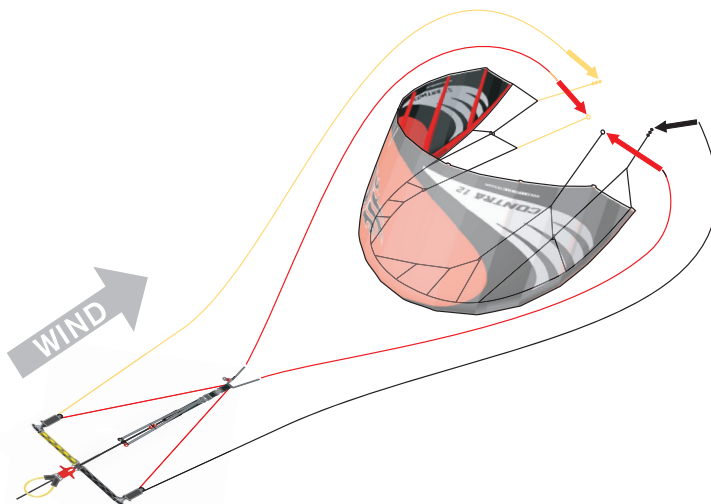
CONNECT AND LAUNCH - UPWIND LAUNCH SETUP

UPWIND LAUNCH SETUP (Bar upwind of kite)

- Lay the bar 30 meters upwind of the kite. The leading edge will be pointed toward the bar and into the wind. The wing tips of the kite will be facing away from the bar. The control bar should be right side up.
- Lay out and clear the bridle.
- Walk out the steering (outside) lines and place them parallel to each other on the ground about 4 feet apart near the kite (remember, yellow-sheathed lines on the left and black-sheathed lines on the right).
- Place the steering lines far apart, so the kite will lie between them.
- Walk out the de-power (center) lines and place them in between the steering lines, parallel to each other, so that all four lines are lined up as follows (left to right): yellow-sheathed yellow line, yellow-sheathed white line, black-sheathed white line, black-sheathed black line. The lines should not cross each other or be twisted.
- Place the kite on top of the de-power lines so the wing tips of the kite are pointing downwind and are near the ends of your steering lines.
- Make sure the kite is still secured with sand or sand bags.
- From outside of the kite, attach the steering lines to the corresponding back bridles on the wing tips (remember, yellow-to-yellow; black-to-black). Using larks head knots, attach the steering lines to the upper knots on the bridles. Give each knot a tug to secure.
- From inside the kite, slip the knots on each of the de-power lines into the larks head loops on the corresponding leading edge bridles (remember, yellow-to-yellow; black-to-black). Give each knot a tug to secure.
- Again, double check to make sure that your lines do not cross each other, and are not twisted.

Your kite is now ready to fly

Please see the sections of this manual that relate to safety and make sure you are familiar with the conditions before getting on the water. Kite tuning tips are located in this manual under Tuning.





CONTROL SYSTEM

QUICK RELEASE

POWERDRIVE 221 [pulley]

QUICK RELEASE SYSTEM (QRS)

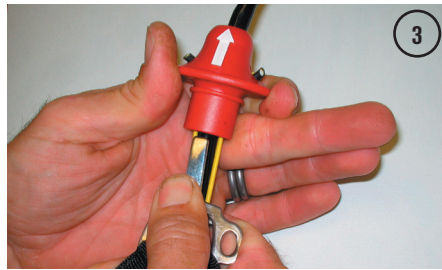
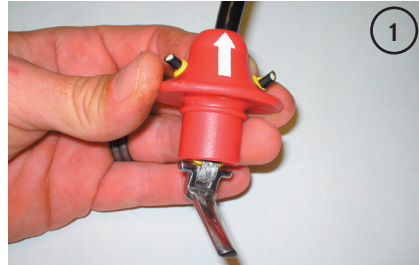
You should be familiar with the operation of the QRS in the event of a situation where you wish to activate the QRS feature.

QRS - OPERATION

Grab the release body and pull up until the pin is free.
Under tension, the pin will release the harness loop. (Fig. 1)

QRS - SETTING / RESETTING

- Slide the QR Pin through the stainless steel Trapezoid. (Fig. 2)
- Fold the pin back over itself. (Fig. 3)
- Lift the QR Body up the Depower line. (Fig. 4)
- Lower the QR Body over the QR Pin. (Fig. 5)
- Your QR system is now ready for use.





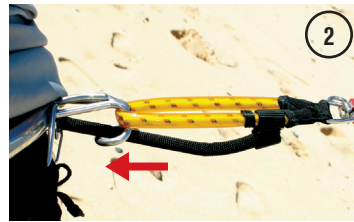
CONTROL SYSTEM

SECURITY PIN

SECURITY PIN

The harness loop can be used as the rider's sole connection to the DEPOWER SYSTEM, as long as it is equipped with a security pin. This security leash is active only when the rider is hooked into the Harness Loop. Therefore it is important that a secure connection is made between the Harness Hook and the Harness Loop. This critical connection allows you to depower the kite completely, spin your bar freely, and re-launch your kite easily, all while still being connected to your kite.

- You must be hooked into the Quick Release (QR) Harness Loop in order to activate the IMMEDIATE DEPOWER™ feature.
- Insert the Security Pin into the Harness Hook under the Loop. (Fig. 1)
- Make sure your quick release and control system are set up properly before launching or engaging the Security Pin on your Harness Loop.
- We suggest that you engage the Security Pin only when ready to launch and/or the Bypass leash is connected.



CAUTION: Be advised that when the Security Pin is engaged, you have a semi-permanent connection to the kite. As a precaution, know where your Quick Release Handle is and be educated on how to activate it before engaging the Security Pin.

SECURITY PIN – ENGAGING

- Double check that your QR and control system are set up properly.
- Hook into your harness loop.
- Once hooked into the harness loop, only engage the Security Pin once you are ready to launch
 - Disengage the Override ball.
- Insert the Security Pin into the center of the harness hook, making sure it is below the harness loop. Your harness loop must be between the harness hook and the Security Pin in order for this feature to work properly. (Fig. 2)
- Make sure that the Security Pin is secure. This will keep your harness loop from accidentally dropping out of your harness hook. Your Security Pin is now ready for use.



SECURITY PIN – RELEASING

You may disengage from the Security Pin in two ways:

- With your hands, slide the Security Pin out of the harness hook. (Fig. 3)
- Release the Quick Release Handle on your harness loop.





CONTROL SYSTEM

CENTERLINE ADJUSTMENT STRAP

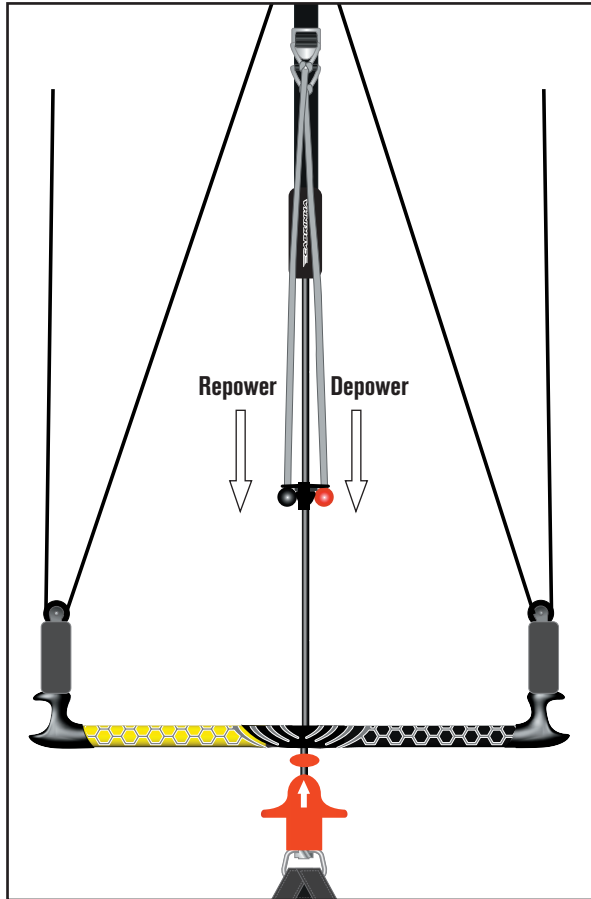
Centerline Adjustment Strap (CAS)

All Cabrinha control systems come with a CAS. To operate it is a "pull pull" action. This is used to change the length of your front (depower) lines.

- Pull on the red ball to depower
- To increase power, pull on the black ball

LINE CONNECTORS

To minimize wear, increase the longevity of your flying lines, and to have a distinctive FRONT/REAR line connection, Cabrinha includes Line connectors at the kite end of your fly lines. The rear lines attach by larks head to the middle knot on the rear pig tail. The front line connector has a knot to connect to the larks head loop on the front pig tail.



Flagging ring operation

The flagging ring is located at the top of the CAS. This ring is included to aid in self rescue or self landing your kite.

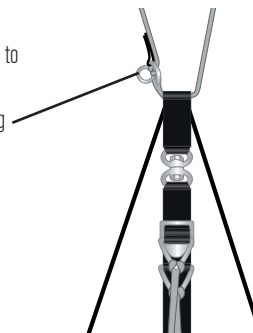
To flag your kite, you should attach your bypass leash to the lower ring

Fly your kite to the edge of the window and low to the water.

Unhook from the harness loop or activate your Depower Loop QRS.

Release the bar.

The kite will be attached to your left front line.





CONTROL SYSTEM

BYPASS™ LEASH

BYPASS™ LEASH

The Bypass™ leash is a kite containment device to keep your kite from going astray when you are unhooked from the depower loop. One end of the leash is attached to your harness and the other end can be attached to a choice of two locations depending on your security needs.

CAUTIONS:

- If you desire to detach yourself from the Bypass™ leash, you will need to activate the Quick Release located on the end of the leash which is attached to your harness.
- Make sure you set up your BYPASS™ Leash properly before going on the water.
- The Bypass™ leash comes with a harness bar attachment. It is recommended that you attach your Bypass leash using this attachment point. (fig 1) Alternate attachment points are not recommended.
- It is recommended that you follow the instructions on using the security pin to make sure you have a positive connection to your kite.



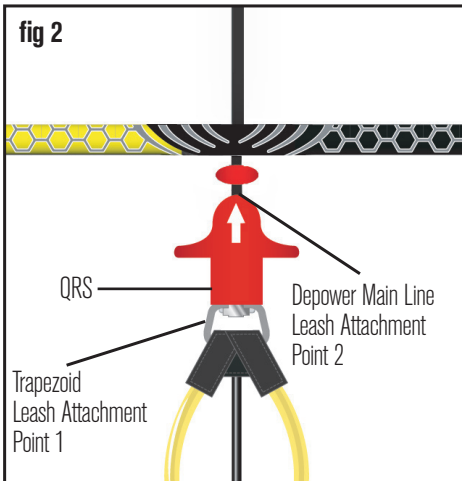
Attachment point #1 Trapezoid

The Bypass™ leash can be attached to the trapezoid at the top of your harness loop. (fig 2). This attachment point allows the fastest release from your kite in either hooked in or un-hooked riding. When unhooked from the depower loop, you will remain connected to the kite via the bypass leash.

To completely disconnect from your kite when hooked into the harness loop, you must simply pull the QRS on the harness loop and you will be disconnected from the kite. (fig 2)

If you are unhooked from the depower loop and need to disconnect from the kite, you need to pull the QRS on the Bypass™ leash. (fig 1)

CAUTION: If using a BYPASS™ Leash attached to the trapezoid, releasing the QRS will separate you from the kite.



Attachment point #2 Depower main line

The Bypass™ leash can be attached above the QRS release directly to the depower main line. (fig 2)

CAUTION: If using a BYPASS™ Leash attached above the QRS, releasing the QRS will not separate you from the kite. If you need to separate completely from the kite, you will also need to activate the QRS on your Bypass™ leash.





CONTROL SYSTEM

VERRIDE™ 2

VERRIDE™ 2 OPERATION

Overview

One of the most valuable features of the POWERDRIVE 221 [pulley] is its ability to depower the kite by positioning the control bar into Override™2 mode. By pushing the control bar past the OVERRIDE™2 ball and releasing it, the kite will depower and fall from the sky. The kite's approach to security is to make it a seamless part of the way the kite functions. There is nothing to "turn on" no handle to manually activate.



Relaunch

The kite's unique bridle allows the rider to perform a water relaunch by simply pulling on the left or right rear lines. The wingtip will rise out of the water and allow the rider to position the kite into a side launch position.



Override – Hooked In

The security system can be operational when the rider is either hooked in to the harness loop or unhooked (with an attached leash). If a rider chooses the hooked in option, they must use and Cabrinha harness loop with security pin.

Override – Unhooked

The security system can be operational when the rider is either hooked in to the harness loop or unhooked (with an attached leash). If a rider chooses the unhooked in option, they must use a Cabrinha Bypass leash attached to the Harness loop.

The Override Stopper Unit is a convenience item that allows the rider to un-spin the bar after rotations without fully depowering the kite. It is set up at the factory with a release load of approximately 10kg. When adequate force is applied, the bar will push past the Override Stopper Unit into Override mode.



The release load can be increased incrementally by the rider using the supplied tension ring. To increase the release load of the Stopper Unit, squeeze the tension ring until it tightens around the Stopper unit. As the ring tightens, it will ratchet incrementally so that you can choose your preferred level of release.

CAUTION: The tighter you tension the ring the more force it will take to unseat the Override Stopper Unit from its sleeve. We suggest you start with the lowest release setting until you are familiar with the operation of Override.





CONTROL SYSTEM

VERRIDE™ 2

OPERATION:

TO DEPOWER: If depower is needed, push the bar past the Override Stopper Unit. The kite will depower and slowly drop out of the sky. To resume riding, simply grab the control bar, un-spin any twists in the lines, and sheet back in.

CAUTION: By sheeting the bar back in, the kite will power back up and continue flying. Be aware of its position in the power window before powering back up. If the kite is on the water, use the techniques outlined in "Relaunching with the Override System" section below.

To reset the Override ball

- Reach up the depower mainline and grasp the Override ball
- Slide the Override down to the Override sleeve
- Snap the ball back into place

CAUTION: Be aware that pulling down on the depower line could cause the rider to unhook from the harness loop. Be sure that your security pin or external leash is engaged.

To un-spin any twists in your lines caused by a looping kite or from spinning the control bar:

- Make sure your Override Stopper Unit is seated onto its sleeve.
- Let the bar out to the Override Stopper.
- Un-spin the bar until the lines are free of twists.
- Grab the bar and sheet back in.

MOVING THE OVERRIDE BALL/SLEEVE

The Override length can be adjusted to suit individual rider needs.

- Loosen the screws on the Override sleeve
- Slide the sleeve to the desired position
- Tighten the screws lightly - Do not over-tighten the screws.

CAUTION: The Override system comes preset at 35cm of depower. This is the best position to allow the convenience of bar spinning and depower. If you set the depower length less than 35 cm, you do so at your own risk.

TENSION RING OPERATION

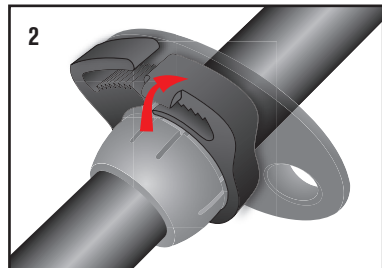
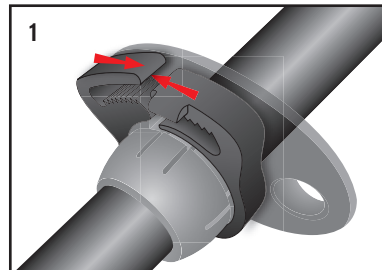
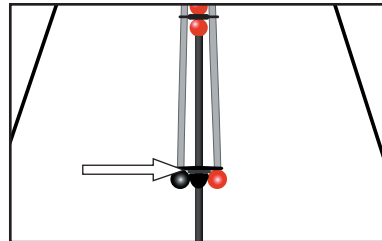
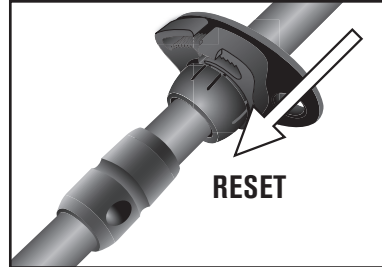
More tension:

Squeeze the clamp to engage the teeth (Fig. 1)

- The more teeth that are engaged, the higher the release load will be.
- Be aware that the tension is increased. If you need to push into Override™, more force will be required.

Less Tension:

- 1) Using your thumb, lift the release tab to disengage the teeth (Fig. 2)
- 2) Pull the tab to increase the diameter of the tension ring





CONTROL SYSTEM

OVERRIDE™ 2

PAUSE!



FOR SETUP OF YOUR CABRINHA KITE, REFER TO YOUR SUPPLIED KITE USER MANUAL. A KITE/CONTROL SYSTEM COMPATIBILITY CHART AND KITE USER MANUAL ARE AVAILABLE ONLINE AT WWW.CABRINHAKITES.COM.

IF YOU ARE UNSURE AS TO WHICH KITES ARE COMPATIBLE WITH THIS CONTROL SYSTEMS, PLEASE REFER TO THE KITE/CONTROL SYSTEM COMPATIBILITY CHART AND CONTROL SYSTEM USER MANUALS AVAILABLE ONLINE AT WWW.CABRINHAKITES.COM.

FOR INSTRUCTIONS ON HOW TO CONNECT YOUR CONTROL SYSTEM TO A COMPATIBLE KITE, REFER TO THE KITE USER MANUAL.





REPAIR

REPLACING YOUR FLYING LINES - POWERDRIVE 221 [PULLEY]

POWERDRIVE 221 [pulley]

In order to replace your control system's flying lines, you must first remove the existing flying lines from the leader lines. You may then attach new flying lines to the current leader lines, assuming the leader lines are in an acceptable condition.

Connect Your New Flying Lines to the Leader Lines

- Lay your control system face up on the ground approximately 30 meters away from a post or tree to which you will be attaching your lines in order to check that the lengths are even (see SETUP/Check Your Line Lengths).
- Unwind and lay out the color-coded FLYING LINES between the post and the control bar. You will have two sets of lines- the front (or inside) DE-POWER LINES and the back (or outside) STEERING LINES
- Make sure your flying lines are not twisted or crossed. Do this by walking down your lines, separating them from each other. Once you have them separated, lay them down in this order from left to right while looking from your control bar toward the end of the lines: yellow steering line, yellow-sheathed white de-power line, black-sheathed white de-power line, black steering line.

Replacing Steering(rear) flying lines:

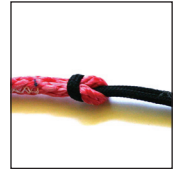
- You will connect the steering lines to the rear leader with a "larks head to larks head" connection.
- Push the loop at the end of the rear leader through the loop of the flying line.
- Push the kite end of the flying line through the loop of the rear leader.
- Pull the entire flying line through the rear leader loop and pull to secure the connection.



Replacing De-power(front) flying lines:

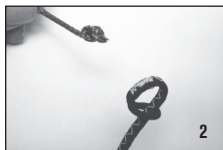
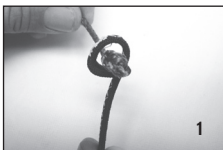
LEFT (yellow) - You will connect the left de-power line to the CAS leader by a "larks head to larks head" connection.

- Leave the short leader in place on the CAS.
- Push the loop at the end of the rear leader through the loop of the flying line.
- Pass the end of the flying line through the the stainless steel rectangle and over the red grab ball.
- Pull the flying line back through the rectangle and towards the top of the leader. Pull to secure the connection.



RIGHT (black) - You will connect the right de-power(front) line to the CAS leader by a "larks head to knot" connection.

- Create a larks head loop with the flying line.
- Place this loop over the knot at the top of the leader. Pull the loop tight to secure the connection.
- Your flying lines are now connected to your leader lines, and you are ready to make sure that all of your lines are even.





GLOSSARY

FREQUENTLY USED KITEBOARDING & WIND TERMINOLOGY

TRAINER KITE

A kite that may be used on land to simulate the motions used in kiteboarding. It is an excellent instructional and learning tool. Despite its small size, this kite still has power, so be alert.

INFLATABLE KITE

A kite with inflatable tubes designed to float the kite and to facilitate water re-launchability.

LEADING EDGE (LE)

The front inflated tube of your kite.

STRUTS

The outer fabric tubes found on your kite. They house the inner inflatable bladders, which are filled with air to give structure to the kite.

BLADDER

The inner inflatable tube found within the leading edge and the struts of the kite. (Imagine a bike-it has both a tire on the outside and an inner tube which holds air).

AIRLOCK - a 2 part valve that allows a single point for inflation and deflation of the kite.

SPRINT

Single Point Rapid Inflation Technology.

AIR CLIPS

Clips that prevent air transfer between the LE and the struts

AIR DISTRIBUTION TUBES

Tubes that connect the LE bladder to the strut bladders.

OVERRIDE - Is a system designed to limit the travel of the control bar under normal riding conditions. It allows the rider to spin the bar after rotations without depowering the kite too much. Also acts as a line manager for the depower extensions.

OVERRIDE MODE - The area of the de-power mainline above the Override sleeve

OVERRIDE SLEEVE - The plastic tube located on the de-power main line that provides the fixed point onto which the Override Unit snaps

OVERRIDE UNIT - the plastic fitting that keeps the bar from entering into Override Mode. It can be pushed out of the way to enter into Override Mode.

QRS-QUICK RELEASE SECURITY SYSTEM

Connection points on the control systems that the rider may release in an emergency. QRS Harness Leash (Patent) that is attached to the rider and kite, designed to disconnect you in an emergency.

BYPASS™ LEASH SYSTEM

An optional security leash feature that is recommended for first time users and kiteboarding schools, and for riders who kiteboard without being hooked into the harness loop.

CONTROL BAR

The steering device the rider uses to steer the kite.

BRIDLES

The lines that hang from the wing tips and leading edge of the kite. The flying lines will be attached from the control bar to these bridle lines in order to connect control bar to kite.

Tow Points - The attachment points for the bridle

LEADER LINES

The lines that attach directly to the control bar. You will attach these lines to the flying lines in order to connect them to your bar.

FLYING LINES

A term used to describe all four of the lines included with your kite package. These lines connect the bridle lines on the kite to the leader lines on the control bar and are typically 20-30 meters in length.

STEERING LINES

The two outside flying lines that attach to the trailing edge bridles on the kite-one to the left wing tip and the other to the right wing tip.

DE-POWER LINES

The two center flying lines that attach to the leading edge





GLOSSARY

bridles on the kite—one to the left wing tip, the other to the right wing tip. These lines assist in de-powering the kite.

Centerline adjustment strap (CAS)-

Used to depower the kite by changing the relationship between the front and back line lengths. It is also used to position the bar closer to the rider.

TENSION RING – A ring located on the Override unit that allows the rider to adjust the release load required to enter into Override Mode.

FLAGGING RING - The ring to ring connection that acts as an alternate leash attachment point. By connecting to the flagging ball and releasing the control system the rider is left connected to the kite by one line.

HARNESS

A piece of equipment used to temporarily attach the rider to the control bar harness line. This enables the rider to save energy by utilizing their body weight and all of their muscles to hang on to the kite. Most common are the waist harness (attaches around the torso) and the seat harness (attaches to the waist and around the legs)

KITEBOARDING

The term used to describe the sport of power kiting on water.

KITESURFING

Another term used to describe the sport of power kiting on water.

NEUTRAL POSITION

This is the position just above the rider's head in the sky. If the rider levels out the bar, the kite will gravitate to the neutral position. However, it is difficult and dangerous to keep the kite in this position. Although in this position the kite may feel steady and may feel like it has the least amount of power or pull, it is also the position in which on land the rider is most susceptible to lofting. On the water, the neutral position can be utilized to rest while you reel in your board, but on land, we strongly suggest you do not utilize the neutral position. After launching, it is best to make your way to the water without delay. Do NOT linger on land with the kite in neutral position. It is VERY dangerous.

NEUTRAL ZONE

This is the area that includes the neutral position and the area to the left and right of the rider. It encompasses the most upwind or windward positions in which to fly the kite. When flown here, the kite has less power or pull than when it is in the power zone. However, use caution when the kite is in this zone, especially when on land, and especially in gusty wind conditions.

POWER ZONE

This is the area in front and to the sides of the rider, but excluding the neutral position and zones. It is the area in which the kite has the most power and pull. When flown in this area, the kite can be powerful and dangerous, so avoid flying your kite in this zone when learning. Use extreme caution when flying the kite in this zone.

LAUNCHING

The motion in which the rider steers the kite from their partner's hands into the sky.

SELF LAUNCHING

A technique in which the rider launches the kite without assistance, usually by weighting down a wing tip with sand until he/she is ready to launch.

RE-LAUNCHING

The motion in which the rider steers the kite off of the water and back into the sky.

BODY DRAGGING

This is an instructional tactic / step in which the rider flies the kite while in the water, but without the board. The rider will launch, then walk to the water, and basically drag in the water while practicing flying, re-launching and self-rescue techniques.

WATER STARTING

The motion of the rider in which he/she goes from sitting or lying in the water to standing on the board.

GYBING

The motion in which the rider changes the direction of the board he/she is riding. The rider switches from a starboard tack to a port tack or vice versa.





GLOSSARY

PLANING

The point in time in which the rider gets the board skimming on the water.

LANDING

The motion in which the rider steers the kite into their partner's hands on shore.

OVER-POWERED

A situation in which the rider has a kite too powerful for his/her ability level, weight, strength, and/or wind conditions.

UNDER-POWERED

A situation in which the rider has a kite not powerful enough for his/her weight, strength, and/or wind conditions.

REACH

A direction of travel relative to the wind direction. Generally 90-160 degrees off the wind.

LULL

A term used to describe wind when it lessens in strength, for any amount of time. A term also used to describe the complete de-powering of a kite.

LUFF

A term used to describe what happens to the kite in a lull.

SIDESHORE

Wind is blowing from the left or from the right, parallel to the shore. Ideal wind direction for kiteboarding.

ONSHORE

Wind is blowing directly or to a great extent directly from the water toward the land. Do not operate your kite in or near water in this wind direction.

SIDE ONSHORE

Wind is blowing from either the left or the right and from the water toward the land. This is a combination of onshore and sideshore wind. Utilize caution when operating your kite in or near water in this wind direction.

OFFSHORE

Wind is blowing from the shore directly or to a great extent out to the water. Do not operate your kite in or near water in this wind direction.

SIDE OFFSHORE

Wind is blowing from either the left or the right and from the shore out to the water. This is a combination of offshore and sideshore wind. Do not operate your kite in or near water in this wind direction.

GUSTY WIND

Wind is inconsistent and varies considerably from one wind strength to another.

DOWNWIND

The direction in which the wind is traveling.

UPWIND

The direction from which the wind is blowing.

LEEWARD

The downwind side of the kiteboarder.

WINDWARD

The upwind side of the kiteboarder.

KNOTS

A measure of speed based on nautical miles.

1 knot = 1 nautical mile per hour.

1 knot = 1.15 miles per hour.

1 knot = 1.85 kilometers per hour.

MPH

Miles Per Hour. A measure of speed.

1 mph = 1.6 kilometers per hour.

BEAUFORT SCALE

A system for estimating wind strength based on the effects wind has on the physical environment (e.g. the behavior of waves, smoke, etc.). Instruments are not used to determine wind strengths in this point scale (0 = calm to 12 = hurricane).

PUMP – Device used to inflate the kite

BAR (unit) – A unit of pressure

- 1 bar = 14 PSI

- 1 mbar = 0.015 PSI

PSI – A unit of pressure. Pounds per square inch

- 1 PSI = 68.9mbar

