

3

MANUAL

EDILGRAPPA

**ELECTRIC SHEAR
MU16 and MU16/S
SPARE PARTS**

INDEX

0 SPARE PARTS AND ACCESSORIES CATALOGUE.....3
0.01 ORDERING INFORMATION.....3
0.02 MECHANICAL AND ELECTRICAL COMPONENTS.....3
COMPONENTS OF ELECTRIC SHEAR MU16 PIN 1.50.18384
COMPONENTS OF ELECTRIC SHEAR MU16/S PIN 1.50.18417
GUARD ASSEMBLY PLUS SCREWS FOR ALL MU16 SHEARS (PIN 1.50.2160) ... 10

0 SPARE PARTS AND ACCESSORIES CATALOGUE



THE COMPANY DECLINES ALL LIABILITY FOR INJURY TO PEOPLE OR DAMAGE TO PROPERTY IF TECHNICAL ASSISTANCE IS NOT PERFORMED BY QUALIFIED AND AUTHORISED STAFF.



FOR TECHNICAL ASSISTANCE AND MAINTENANCE, CONTACT AN AUTHORISED SERVICE CENTRE OR WRITE TO cut@edilgrappa.com.

0.01 ORDERING INFORMATION

For technical assistance and spare parts, both during and after the period of warranty, quote the data indicated on the ID plates and the serial number punched on the tool body (fig. 1)

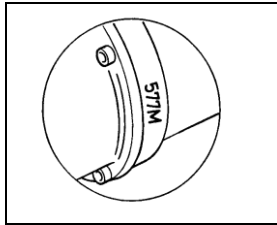


Fig.1

Orders for spare parts must be accompanied by the following information:

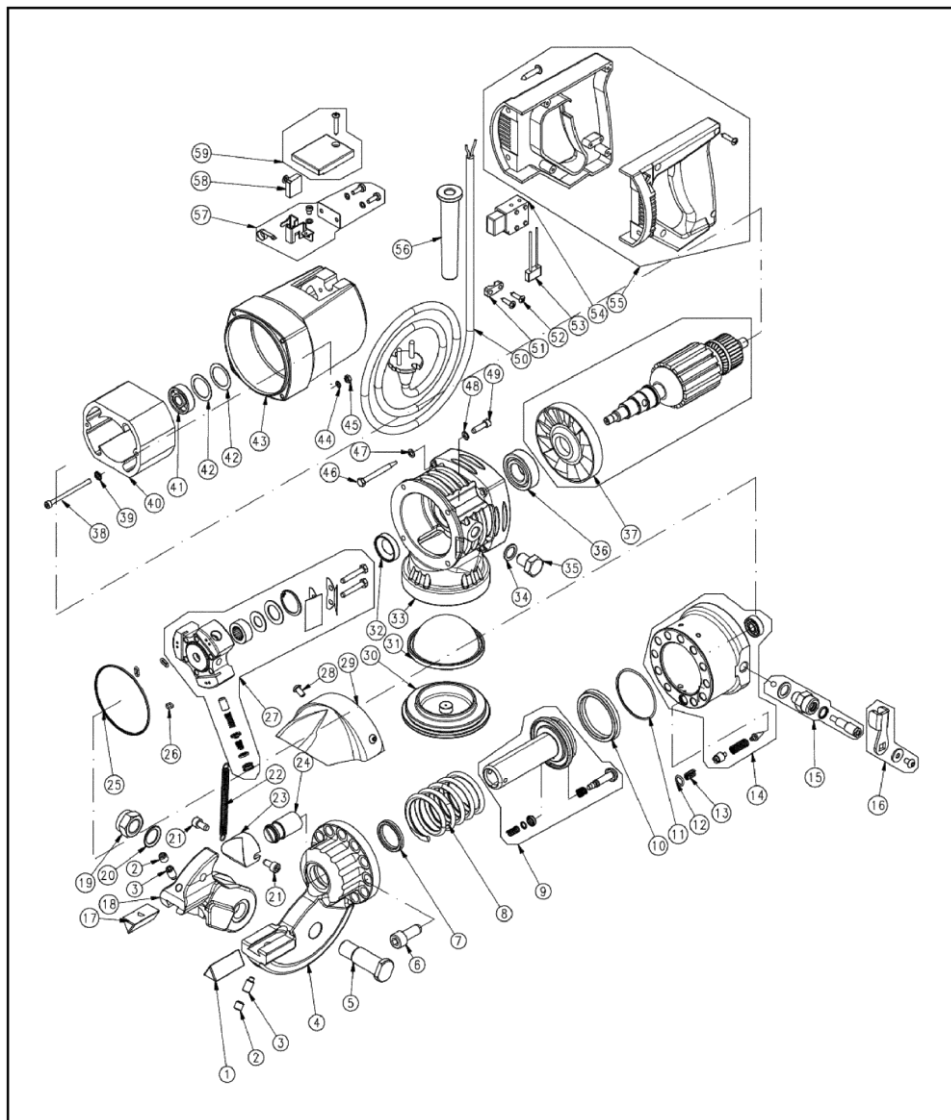
1. Type of equipment
2. Serial number
3. Part number or position in exploded drawing
4. Quantity
5. Revision status indicated on the back cover of the manual.

The Manufacturer can only supply the appropriate spare part if the required data is complete, since subsequent improvements may have entailed structural variations to the equipment and therefore to the spare parts.

0.02 MECHANICAL AND ELECTRICAL COMPONENTS

The following page contains an exploded diagram of the machine, complete with the part numbers, descriptions and quantities of each component

COMPONENTS OF ELECTRIC SHEAR MU16 PIN 1.50.1838



COMPONENTS OF ELECTRIC SHEAR MU16 PIN 1.50.1838

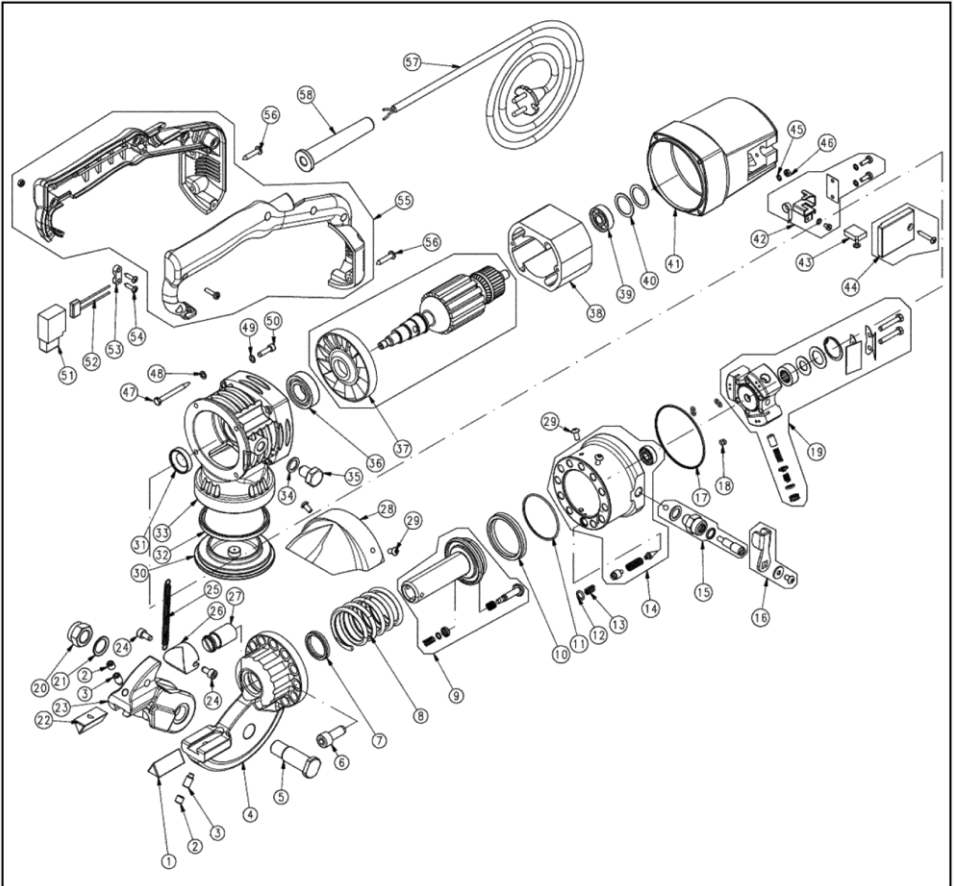
POS	P/N	ITEM	PCS
1	1.10.233	LOWER BLADE	1
2	1.60.829	THREADED DOWEL	2
3	1.60.2056	SCREW	2
4	1.10.3557	TOOL HOLDER HEAD	1
5	1.10.3559	PIN	1
6	1 60.112	SCREW	11
7	1.30.070	GASKET	1
8	1.10.231	PISTON RETURN SPRING	1
9	1.50.619	PISTON ASSEMBLY	1
10	1.30.032	GASKET	1
11	1.30.045	O-RING	1
12	1.30.225	O-RING	1
13	1.10.248	SPRING	1
14	1.50.1942	CYLINDER ASSEMBLY	1
15	1.50.1932	MANUAL RETURN VALVE (VALVE ASSEMBLY)	1
16	1.50.1933	MANUAL RETURN VALVE (LEVER ASSEMBLY)	1
17	1.10.269	UPPER BLADE	1
18	1.10.3558	TOOL HOLDER HEAD	1
19	1.60.201	SELF-LOCKING NUT	1
20	1.60.900	WASHER	1
21	1 60 3013	SCREW	2
22	1.10.230	HEAD RETURN SPRING	1
23	1.10.624	THRUST CAM	1
24	1.10.579	HEAD OPENING ADJUSTMENT SCREW	1
25	1.30.046	O-RING	1
26	1.30.017	O-RING	3
27	1.50.511	PUMP ASSEMBLY	1

POS	P/N	ITEM	PCS
28	1.60.937	SCREW	2
29	1.30.546	PROTECTION	1
30	1.10.1726	TANK COVER	1
31	1.30.276	MEMBRANE	1
32	1.60.014	OIL GUARD	1
33	1.10.1725	OIL TANK	1
34	1.60.337	CAP GASKET	1
35	1.50.506	CAP WITH MAGNETIC FILTER	1
36	1.60.013	BEARING	1
37	200.009	ROTOR ASSEMBLY WITH FAN	1
38	1.60.142	SCREW	2
39	1.60.382	TOOTHED WASHER	2
40	1.40.016	STATOR STACK	1
41	1.60.003	BEARING	1
42	1.60.324	ADJUSTING RING	2
43	1.30.034	MOTOR COVER	1
44	1.10.811	WASHER	2
45	1.60.207	NUT	2
46	1.60.151	SELF-TAPPING SCREW	4
47	1.60.314	SPRING WASHER	4
48	1.60.410	WASHER	4
49	1.60.3021	SCREW	4
50	1.40.012	CABLE WITH PLUG	1
51	1.30.020	PLASTIC CABLE CLAMP	1
52	1.60.129	SELF-TAPPING SCREW	2
53	1.40.002	ANTI-DISTURBANCE FILTER	1
54	1.40.020	SWITCH	1
55	1.50.1943	HALF-SHELL ASSEMBLY WITH SCREWS	1
56	1.30.021	CABLE HOLDER	1

MU 16 – MU 16/S

POS	P/N	ITEM	PCS
57	1.50.1936	BRUSH HOLDER KIT	2
58	1.30.005	MOTOR BRUSH	2
59	1.50.1391	BRUSH COVER ASSEMBLY	2

COMPONENTS OF ELECTRIC SHEAR MU16/S PIN 1.50.1841



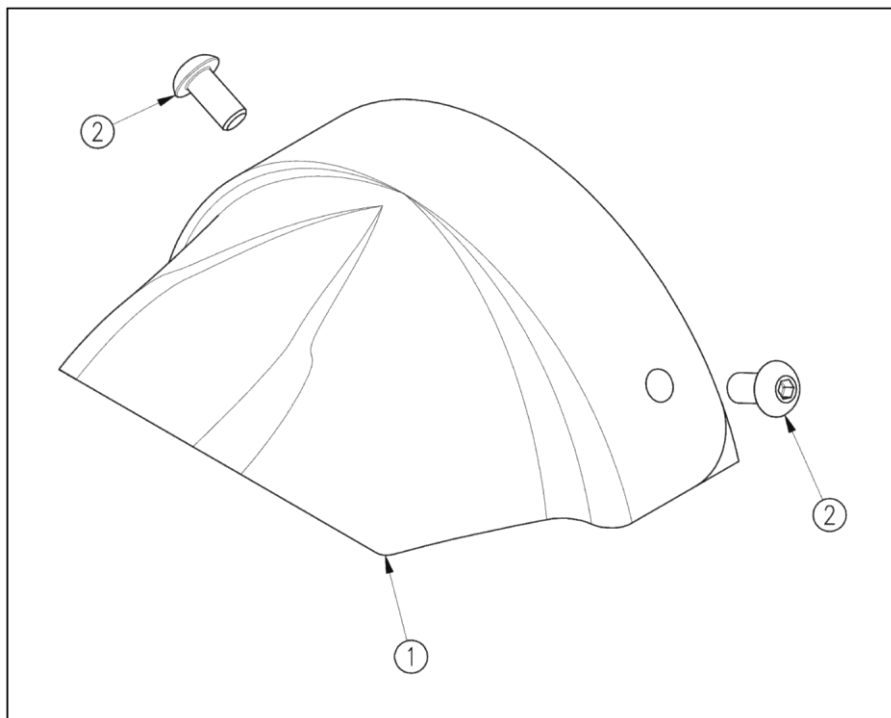
COMPONENTS OF ELECTRIC SHEAR MU16/S PIN 1.50.1841

POS	P/N	ITEM	PCS
1	1.10.233	LOWER BLADE	1
2	1.60.829	THREADED DOWEL	2
3	1.60.2056	SCREW	2
4	1.10.3557	FLANGED TOOL HOLDER HEAD	1
5	1.10.3559	PIN FOR HEAD	1
6	1 60 112	SCREW	11
7	1.30.070	GASKET	1
8	1.10.231	PISTON RETURN SPRING	1
9	1.50.619	PISTON ASSEMBLY	1
10	1.30.032	GASKET	1
11	1.30.045	O-RING	1
12	1.30.225	O-RING	1
13	1.10.248	SPRING	1
14	1.50.1942	CYLINDER ASSEMBLY	1
15	1.50.1932	MANUAL RETURN VALVE (VALVE ASSEMBLY)	1
16	1.50.1933	MANUAL RETURN VALVE (LEVER ASSEMBLY)	1
17	1.30.046	O-RING	1
18	1.30.017	O-RING	3
19	1.50.511	PUMP ASSEMBLY	1
20	1.60.201	SELF-LOCKING NUT	1
21	1.60.900	WASHER	1
22	1.10.269	UPPER BLADE	1
23	1.10.3558	TOOL HOLDER HEAD	1
24	1 60 3013	SCREW	2
25	1.10.230	UPPER HEAD RETURN SPRING	1
26	1.10.624	THRUST CAM	1
27	1.10.579	HEAD OPENING ADJUSTMENT SCREW	1

POS	P/N	ITEM	PCS
28	1.30.546	SAFETY SHELL	1
29	1.60.937	SCREW	4
30	1.10.1726	COVER FOR CENTRAL TANK ELEMENT	1
31	1.60.014	OIL GUARD	1
32	1.30.276	MEMBRANE	1
33	1.10.1725	OIL TANK	1
34	1.60.337	GASKET FOR MAGNETIC CAP	1
35	1.50.506	CAP WITH MAGNETIC FILTER	1
36	1.60.013	BEARING	1
37	200.009E	ROTOR ASSEMBLY PLUS FAN	1
38	1.40.016	STATOR STACK	1
39	1.60.003	BEARING	1
40	1.60.324	ADJUSTING RING	2
41	1.30.034	MOTOR COVER	1
42	1.50.1936	BRUSH HOLDER KIT	1
43	1.30.005	MOTOR BRUSH	1
44	1.50.1391	BRUSH COVER ASSEMBLY	1
45	1.10.811	WASHER	2
46	1 60 207	NUT	2
47	1.60.151	SELF-TAPPING SCREW	4
48	1.60.314	SPRING WASHER	4
49	1.60.410	WASHER	4
50	1.60.3021	SCREW	4
51	1.40.020	SWITCH	1
52	1.40.002	ANTI-DISTURBANCE FILTER	1
53	1.30.020	PLASTIC CABLE CLAMP	1
54	1.60.129	SELF-TAPPING SCREW	2

POS	P/N	ITEM	PCS
55	1.50.1387	HALF-SHELL ASSEMBLY PLUS SCREWS	1
56	1.60.147	SELF-TAPPING SCREW	4
57	1.40.012	CABLE WITH PLUG	1
58	1.30.021	CABLE HOLDER	1

GUARD ASSEMBLY PLUS SCREWS FOR ALL MU16 SHEARS (PIN 1.50.2160)



POS	P/N	ITEM	PCS
1	1.30.546	PROTECTION	1
2	1.60.937	SCREW	2

NOTES

EDILGRAPPA Srl
**MACHINES AND EQUIPMENT FOR THE BUILDING TRADE,
INDUSTRY AND RESCUE**

31030 BORSO DEL GRAPPA (TV) - ITALY - Via Callesello, 4
Tel. 0423 910122 – Fax 0423 542122

E-mail: cut@edilgrappa.com <http://www.edilgrappa.com>