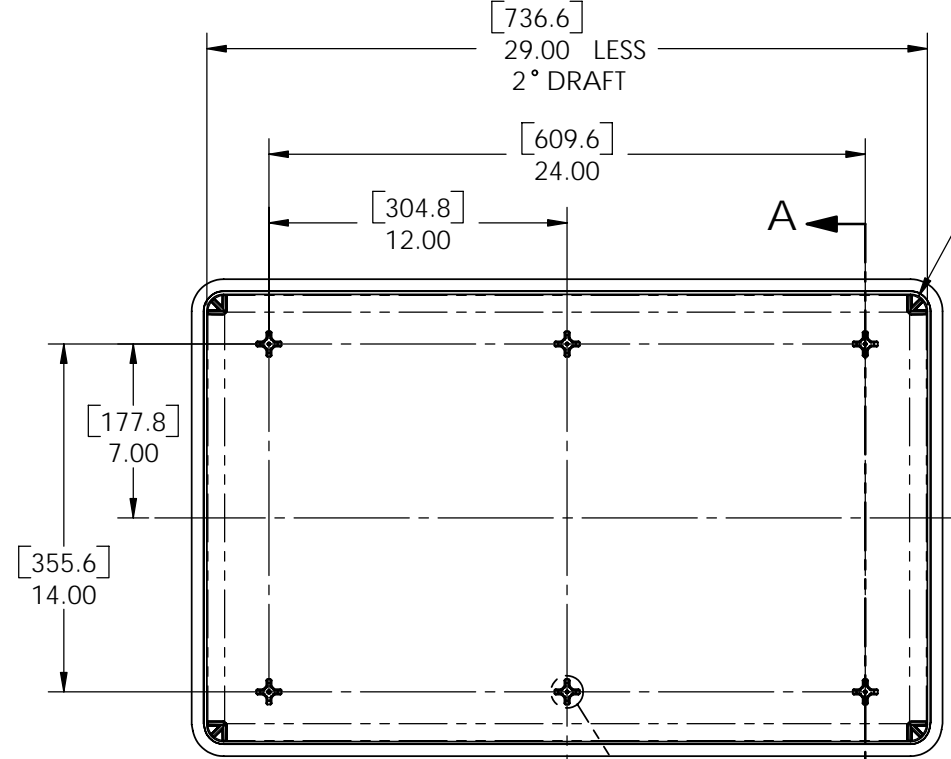


1650

REVISIONS				
REV.	DESCRIPTION	DATE	DRFTR	APPRVD

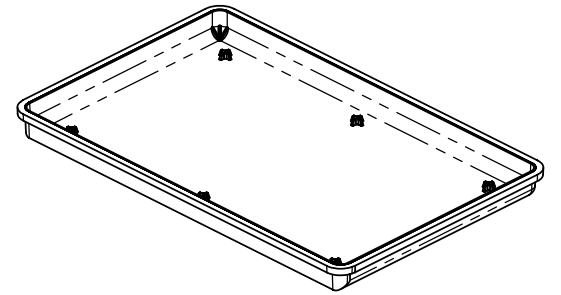
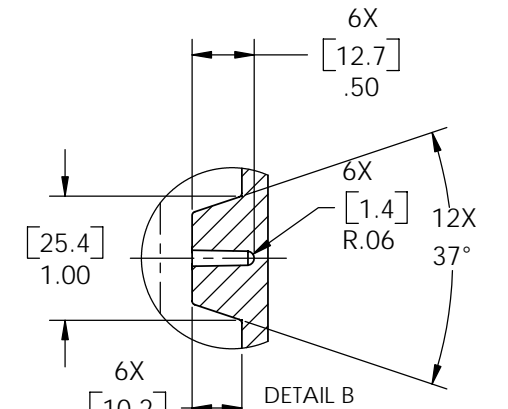


4X  
TRUE R.68  
[17.3]

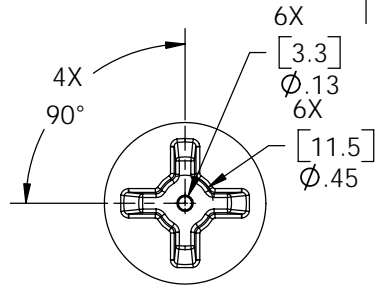
[457.2]  
18.00 LESS  
2° DRAFT

[45.5]  
1.79

SECTION A-A  
SCALE 1 : 5



ISO VIEW



DETAIL C

1. ALL DIMENSIONS ARE TO INTERNAL GEOMETRY OF CASE.  
NOTES: UNLESS OTHERWISE SPECIFIED.



UNSPECIFIED TOLERANCES	APPROVALS	DATE	<b>PELICAN PRODUCTS INC.</b>		
	DESIGN		23215 EARLY AVE., TORRANCE, CA 90505 (310) 326-4700		
	CHECKED		TITLE 1650 CUBE CASE, TOP INTERNAL GEOMETRY		
This Drawing contains information proprietary to Pelican Products Inc. any reproduction disclosure or use of this drawing requires written permission of Pelican Products Inc.	APPROVED		SIZE <b>B</b>	SCALE 1:1	DRAWING NO. 1650
	DO NOT SCALE DRAWING			SHEET 1	OF 1

REV  
PR