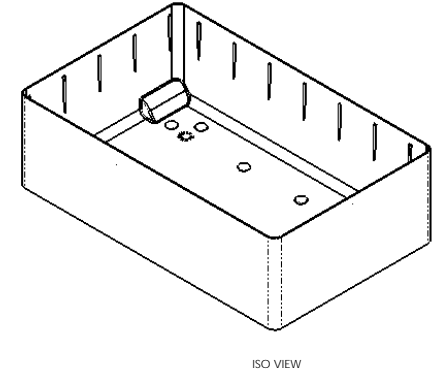
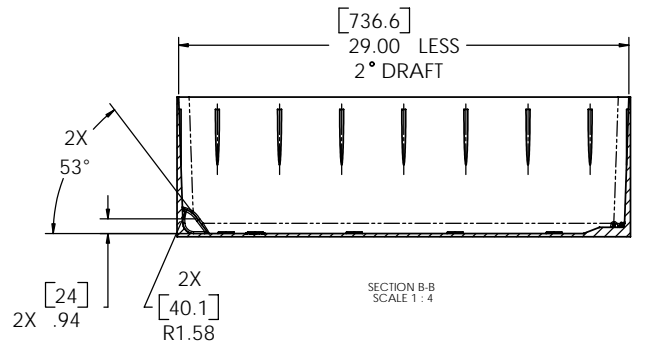
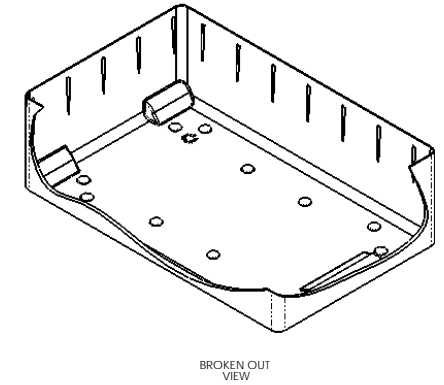
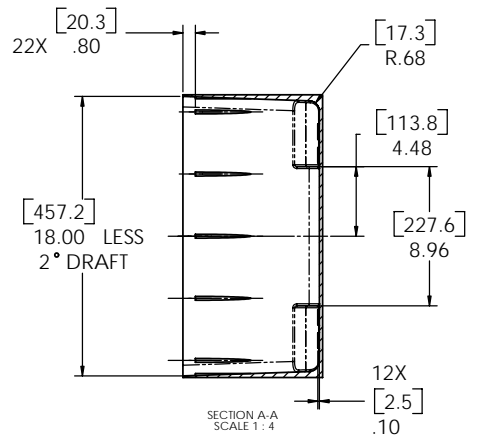
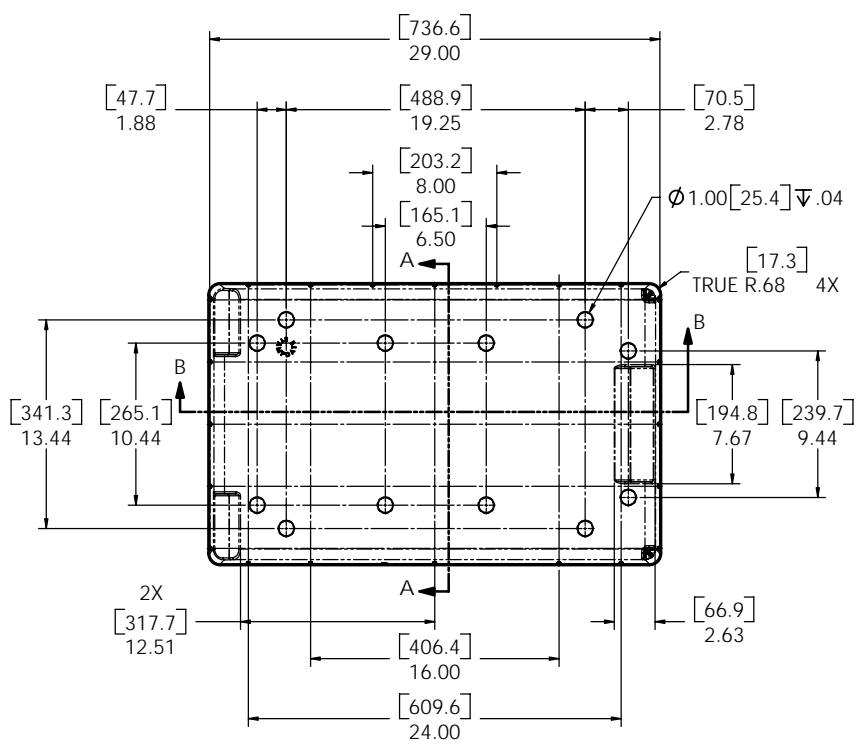



1650				
REVISIONS				
REV.	DESCRIPTION	DATE	DRTR	APPROV



1. ALL DIMENSIONS ARE TO INTERNAL GEOMETRY OF CASE.
NOTES: UNLESS OTHERWISE SPECIFIED.

	UNSPECIFIED TOLERANCES	APPROVALS DATE	PELICAN PRODUCTS INC. 23215 EARLY AVE., TORRANCE, CA 90505 (310) 326-4700	
		DESIGNED DRAWN APPROVED	TITLE 1650 CUBE CASE, BOTTOM INTERNAL GEOMETRY	DRAWING NO. 1650
			SIZE D	SCALE 1:1
			PR	1 OF 1