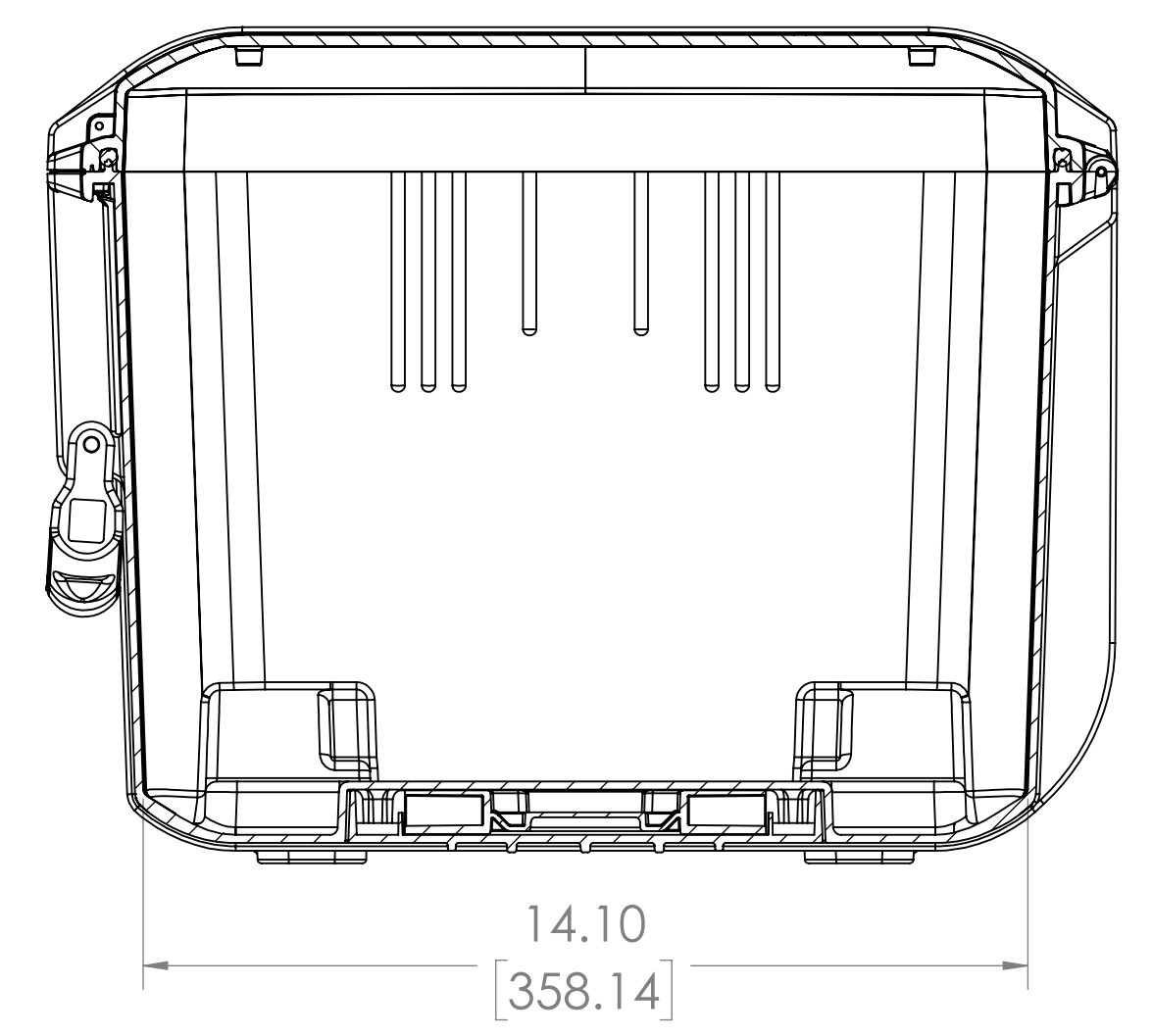
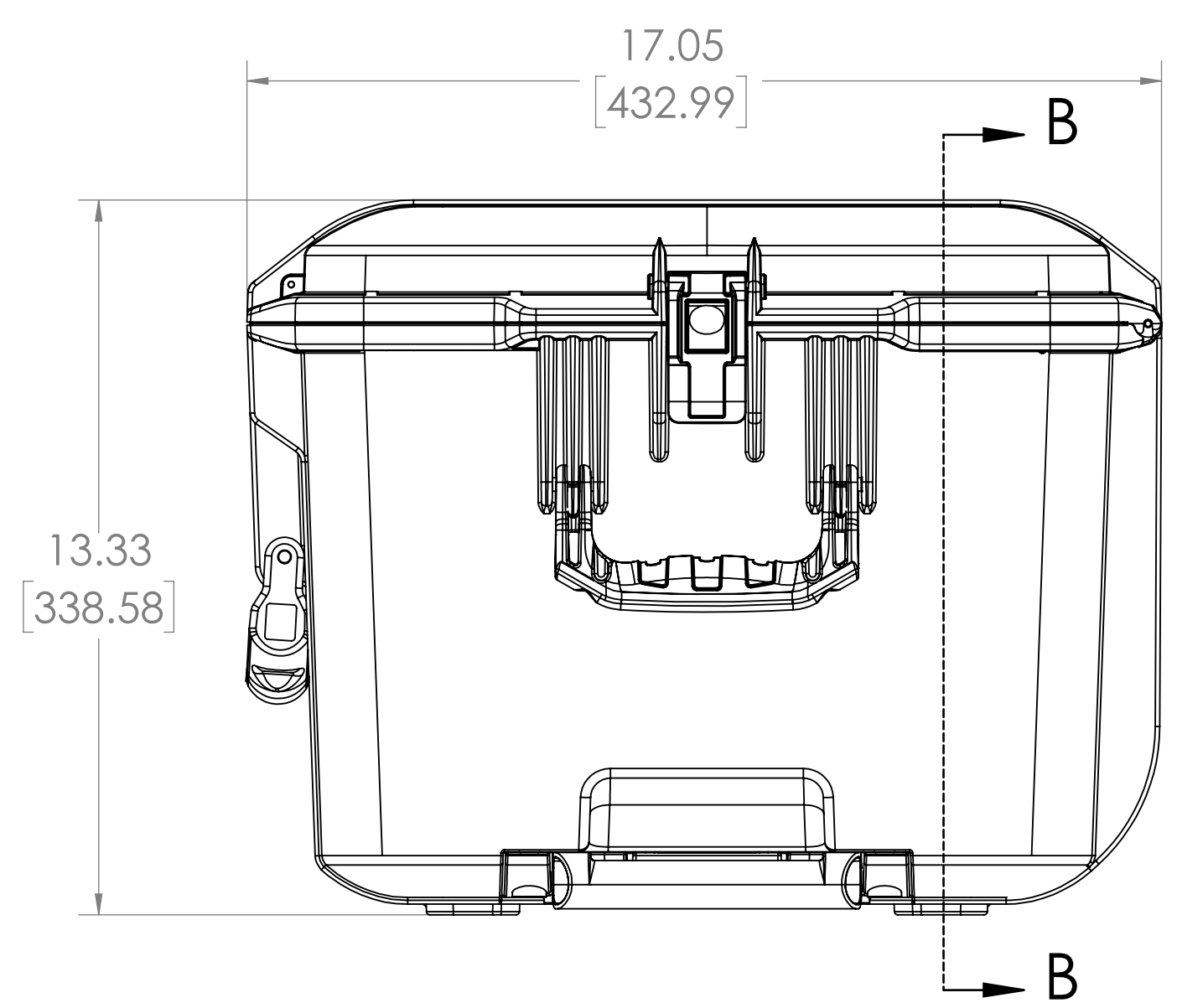
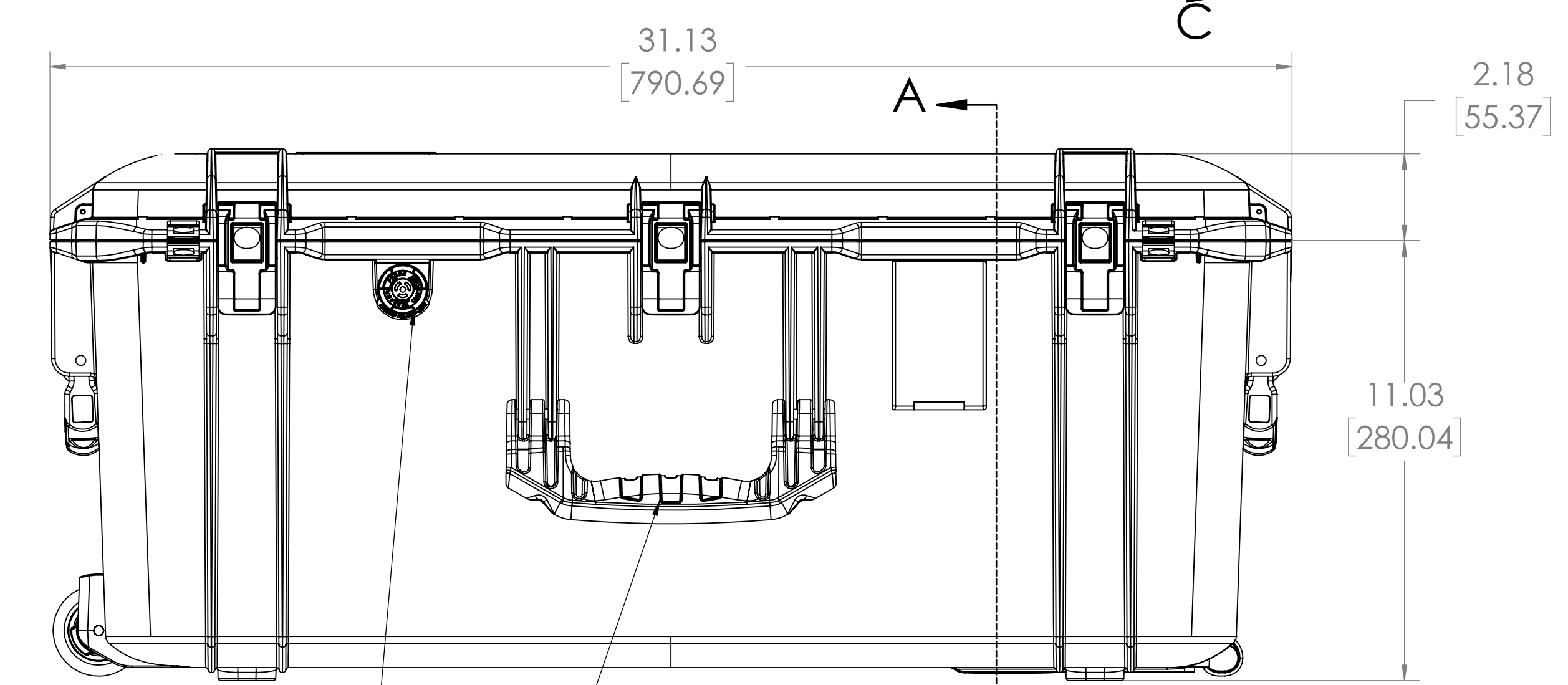
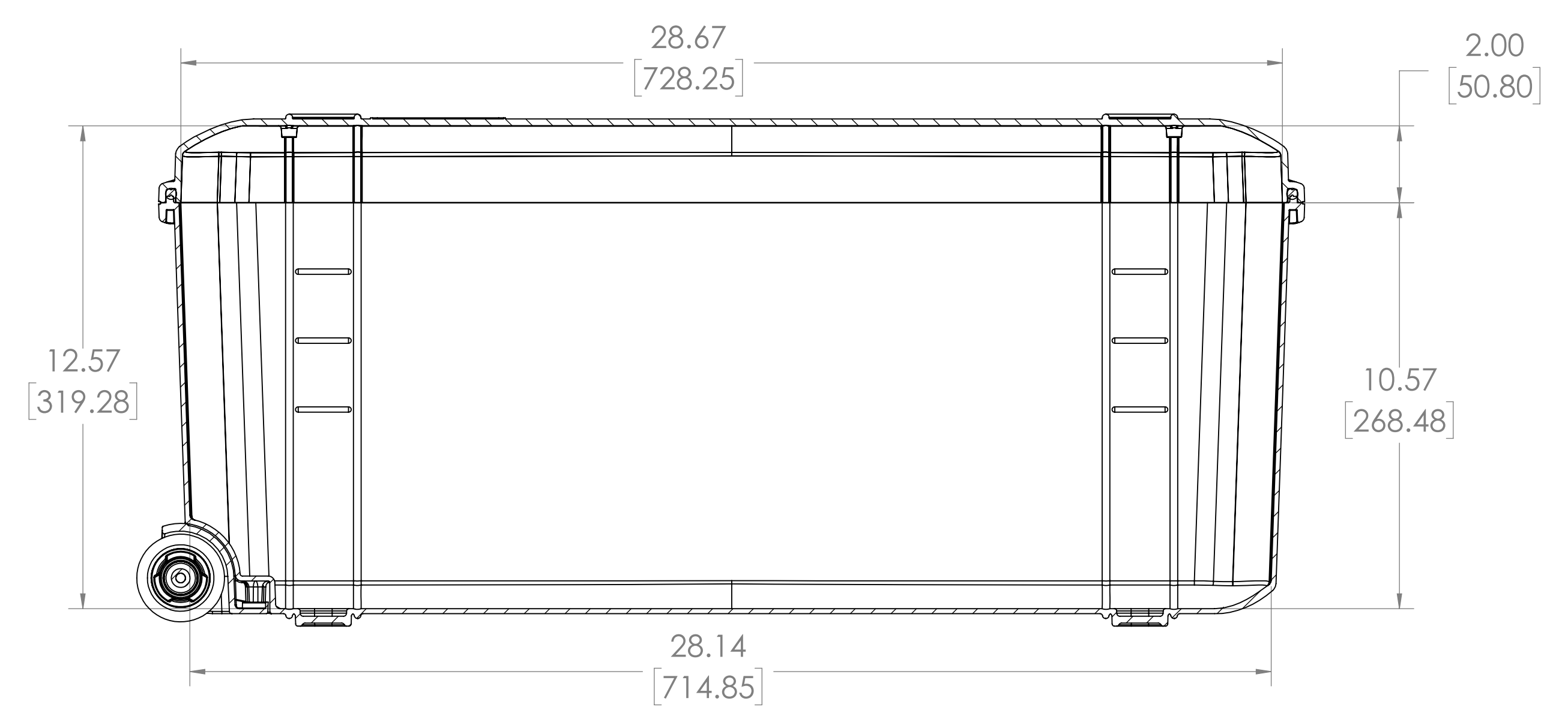


SECTION C-C
SCALE 2 : 1



SECTION A-A
SCALE 1 : 3



SECTION B-B
SCALE 1 : 3

NOTES:

1. DIMENSIONS ARE FOR REFERENCE ONLY; TYPICAL INDUSTRY-STANDARD TOLERANCES APPLY
2. DIMENSIONS ARE IN: INCHES [mm]
3. REFER TO PELICAN.COM FOR CURRENT INFORMATION ON COLORS, CONFIGURATIONS, AND ACCESSORIES.



This Drawing contains information proprietary to Pelican Products Inc. Any reproduction, disclosure or use of this drawing requires written permission of Pelican Products Inc.

PELICAN PRODUCTS INC.
DATE 2.26.19 23215 EARLY AVE., TORRANCE, CA 90505 (310) 326-4700

1626 AIR CASE
CUSTOMER DRAWING