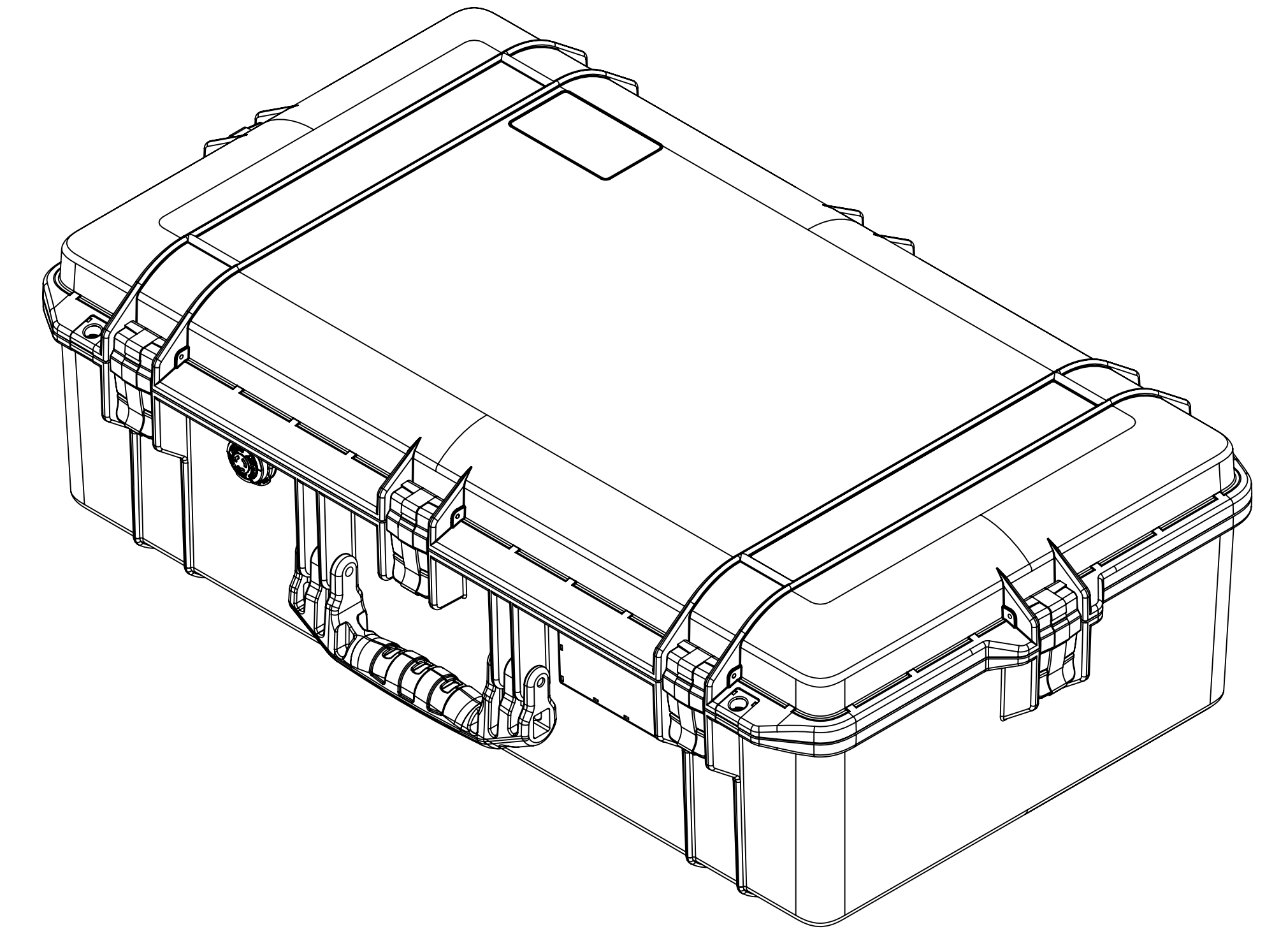
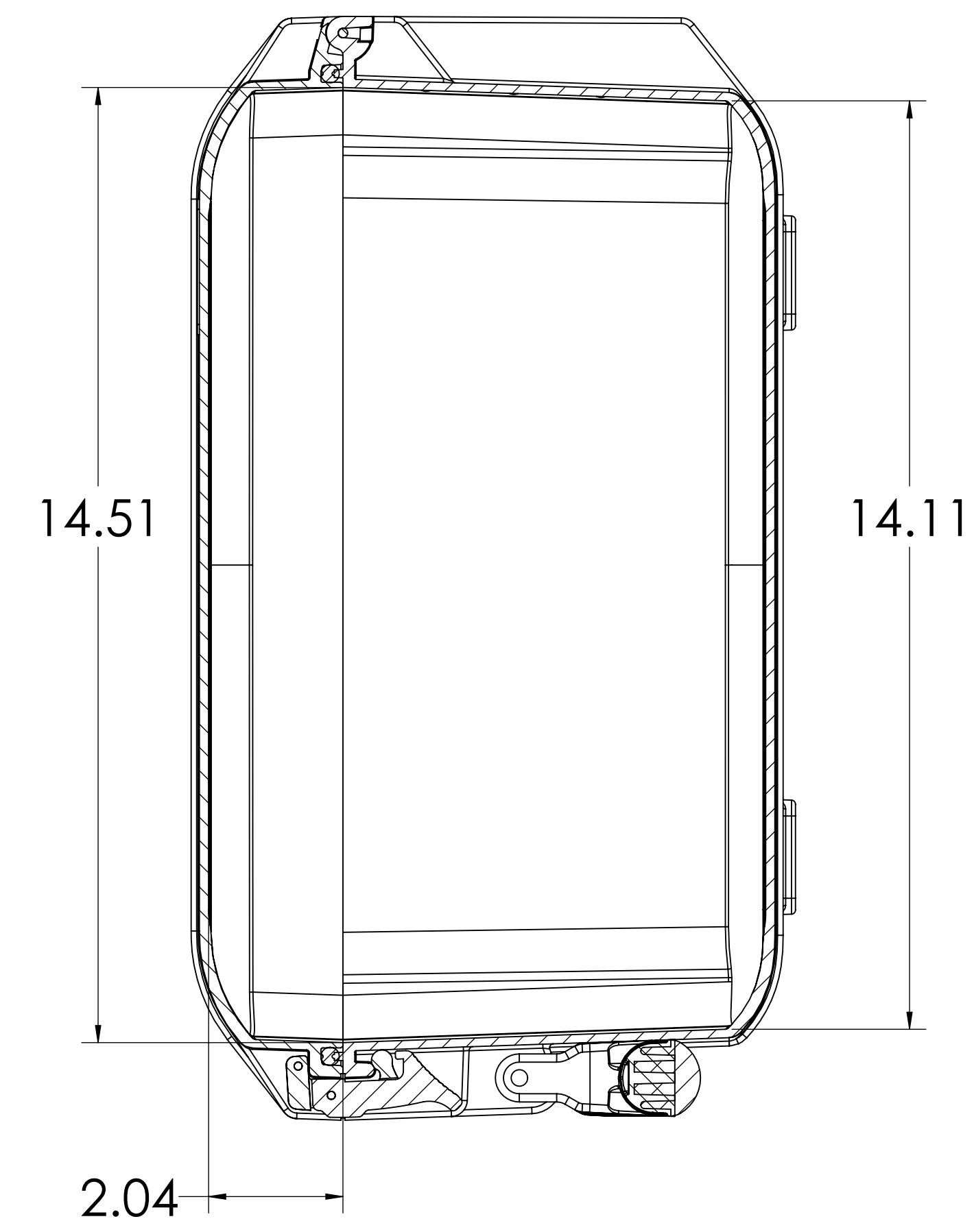
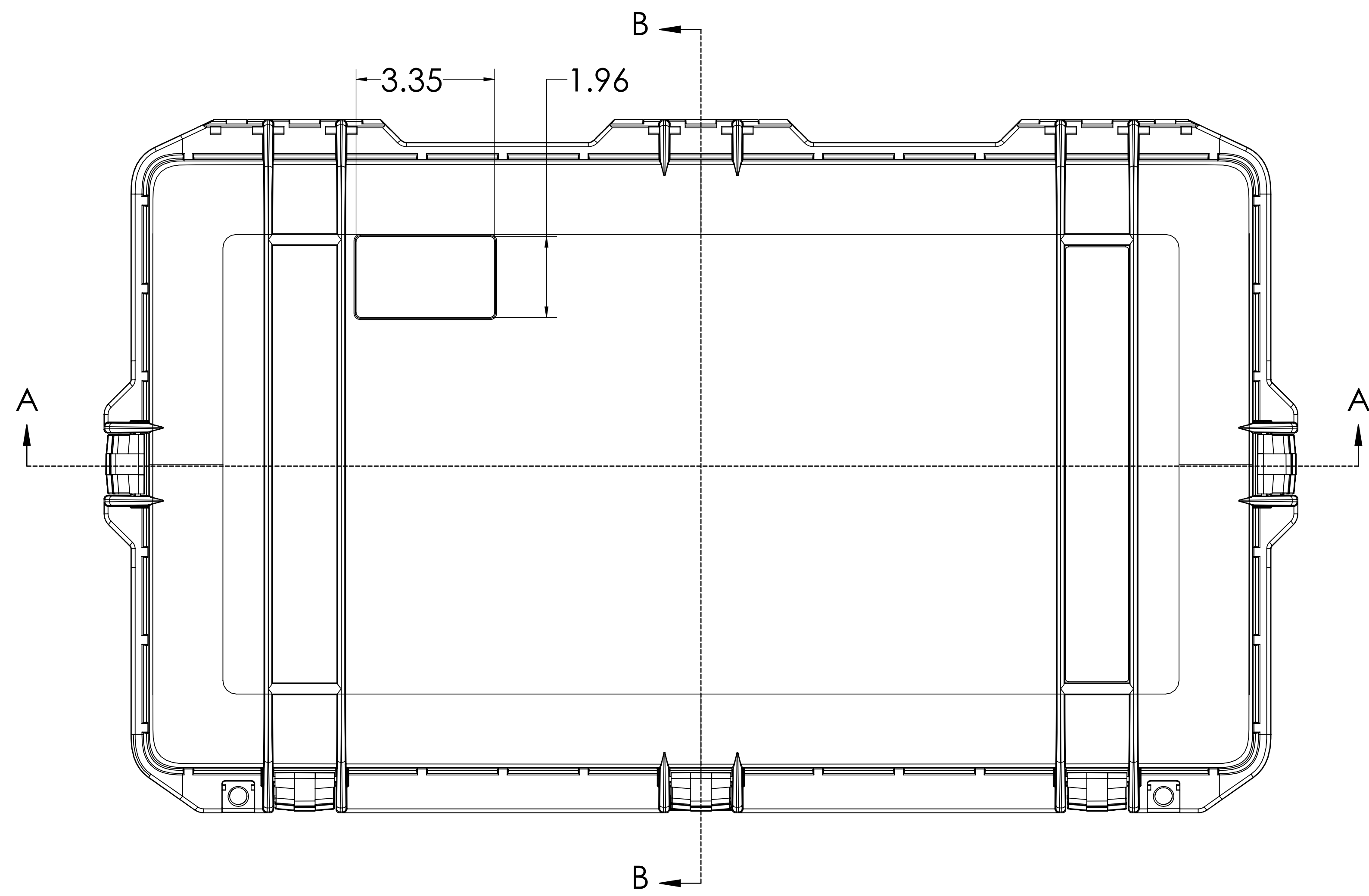
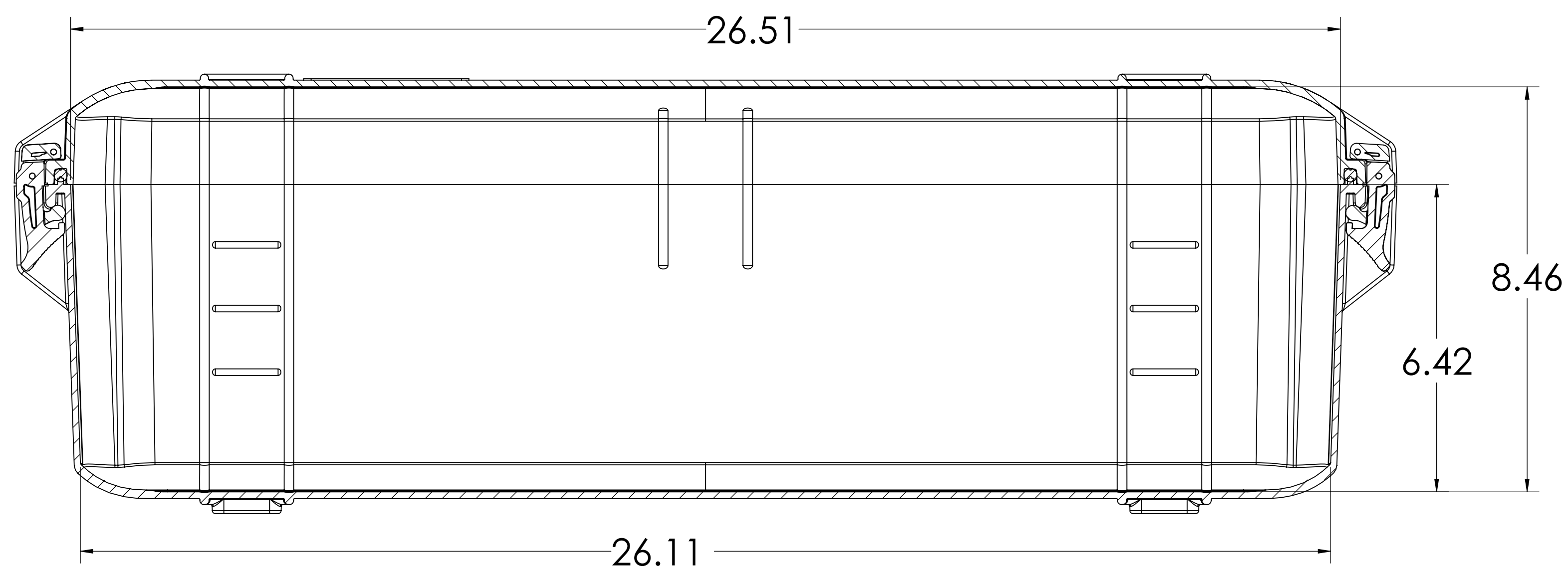


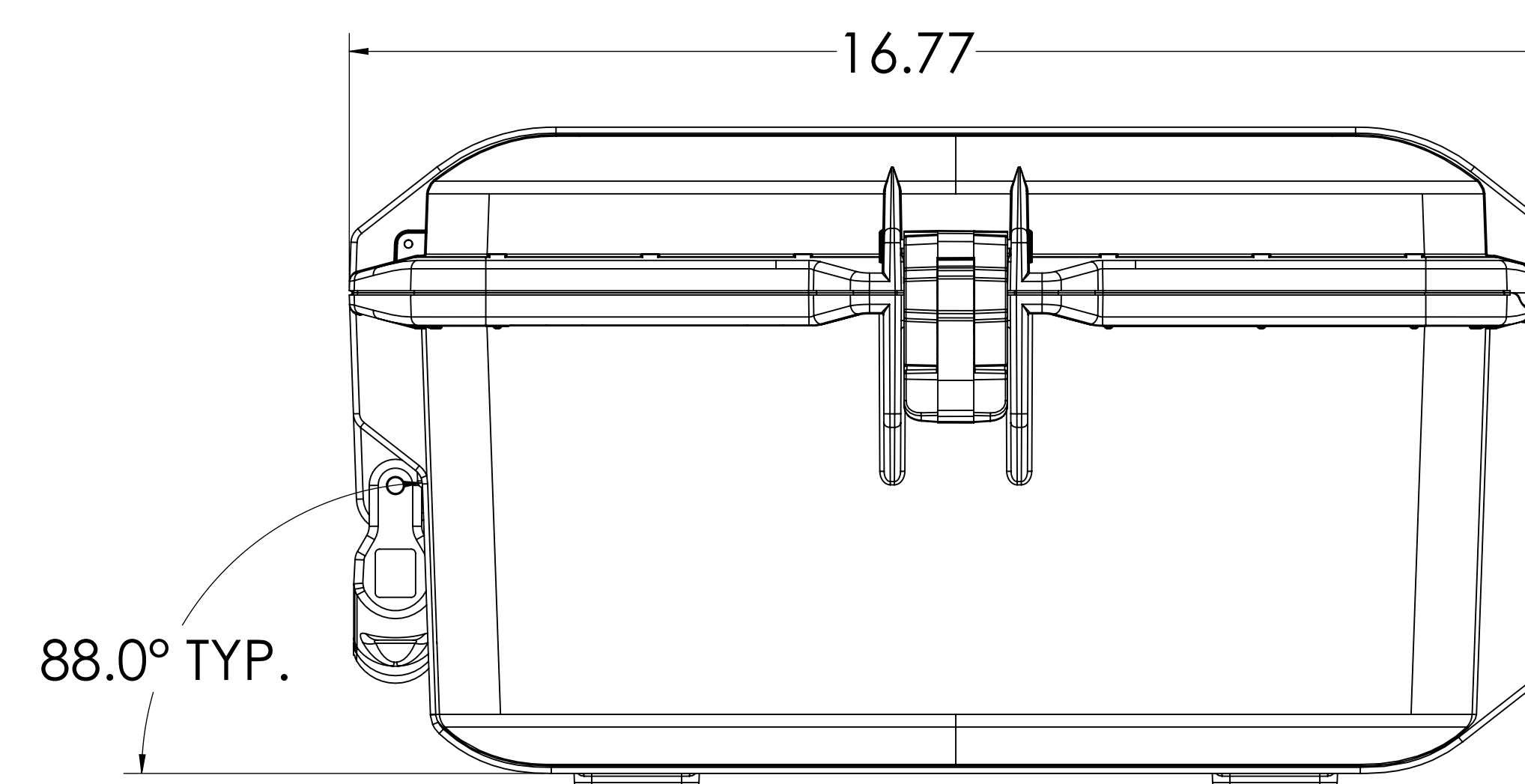
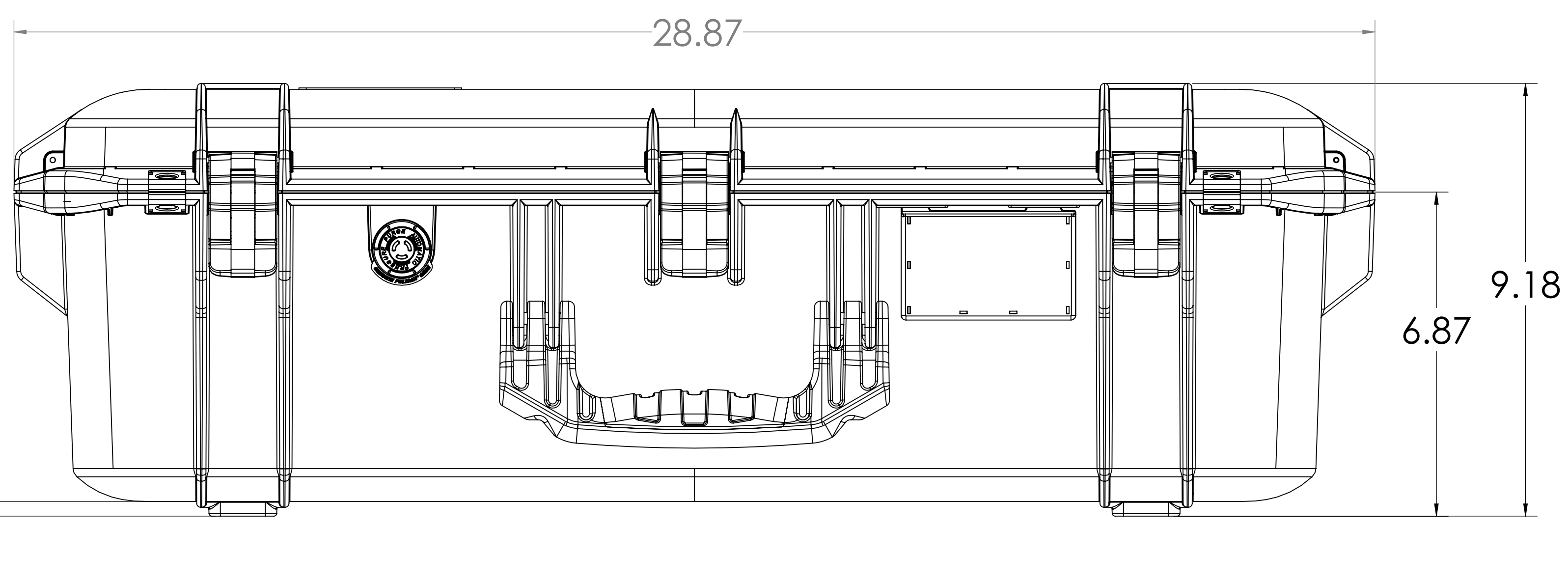
REVISIONS				
REV.	DESCRIPTION	DATE	DRAWN	APPROVED
A	DRAWING RELEASE	4/18/16	MH	MG



SECTION B-B

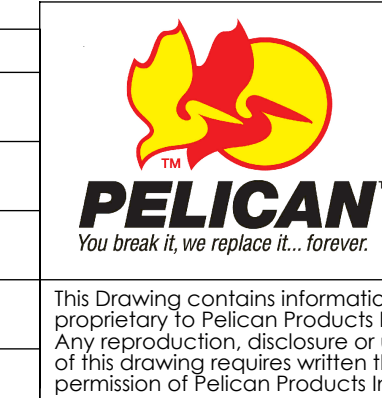


SECTION A-A

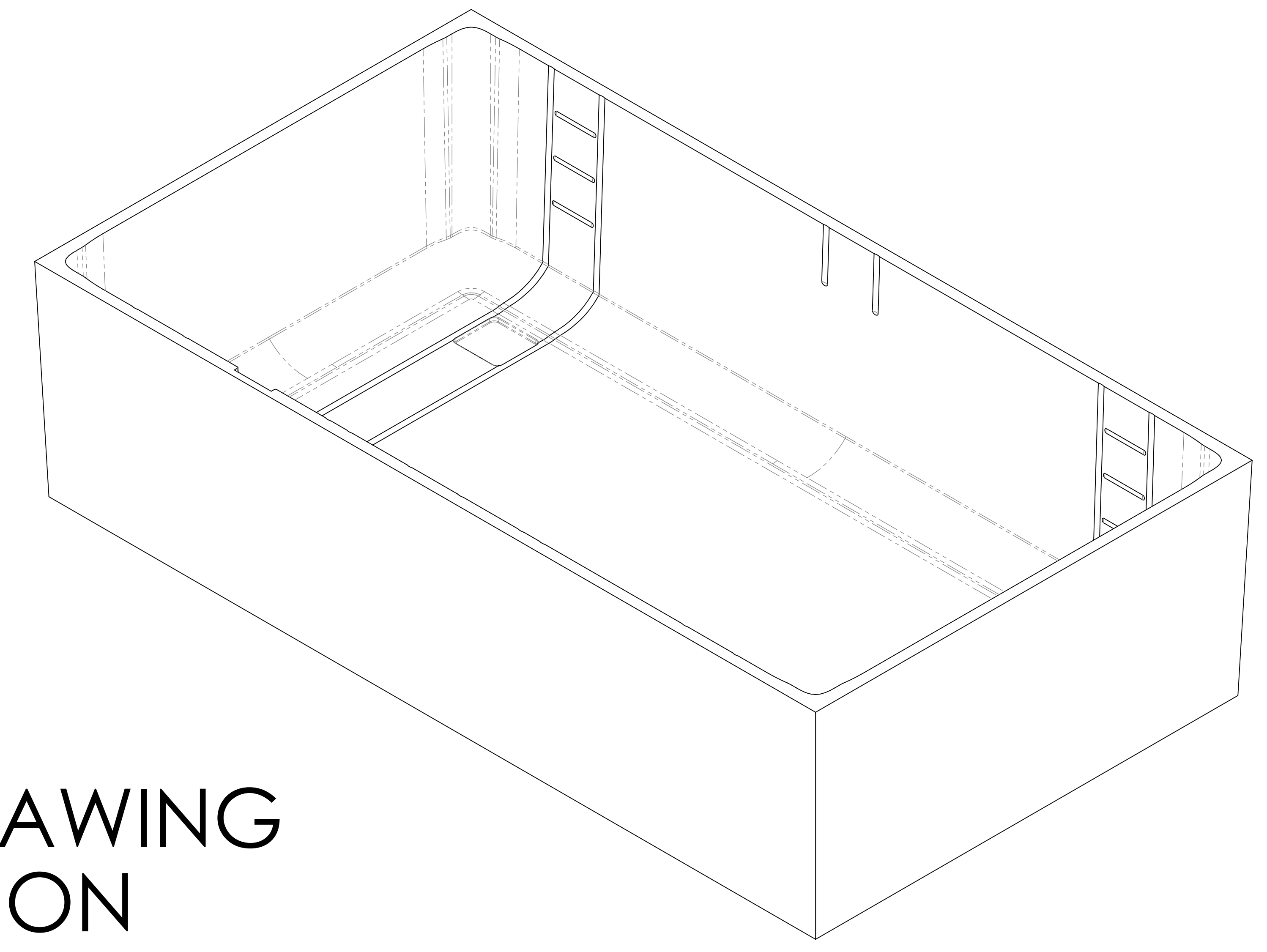
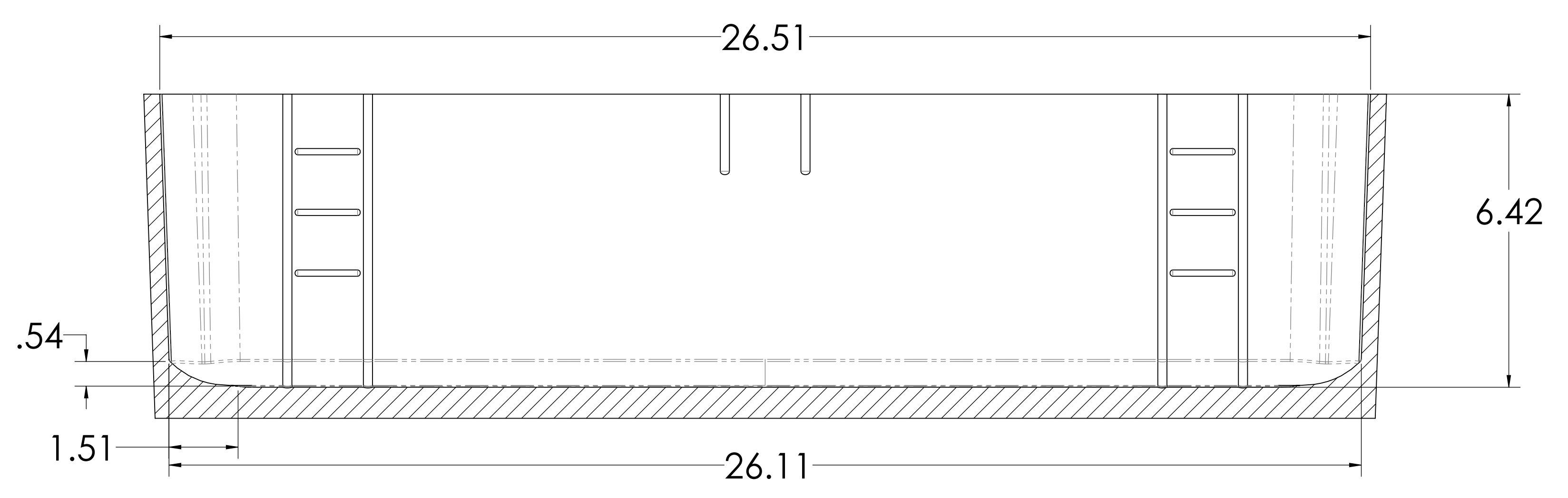
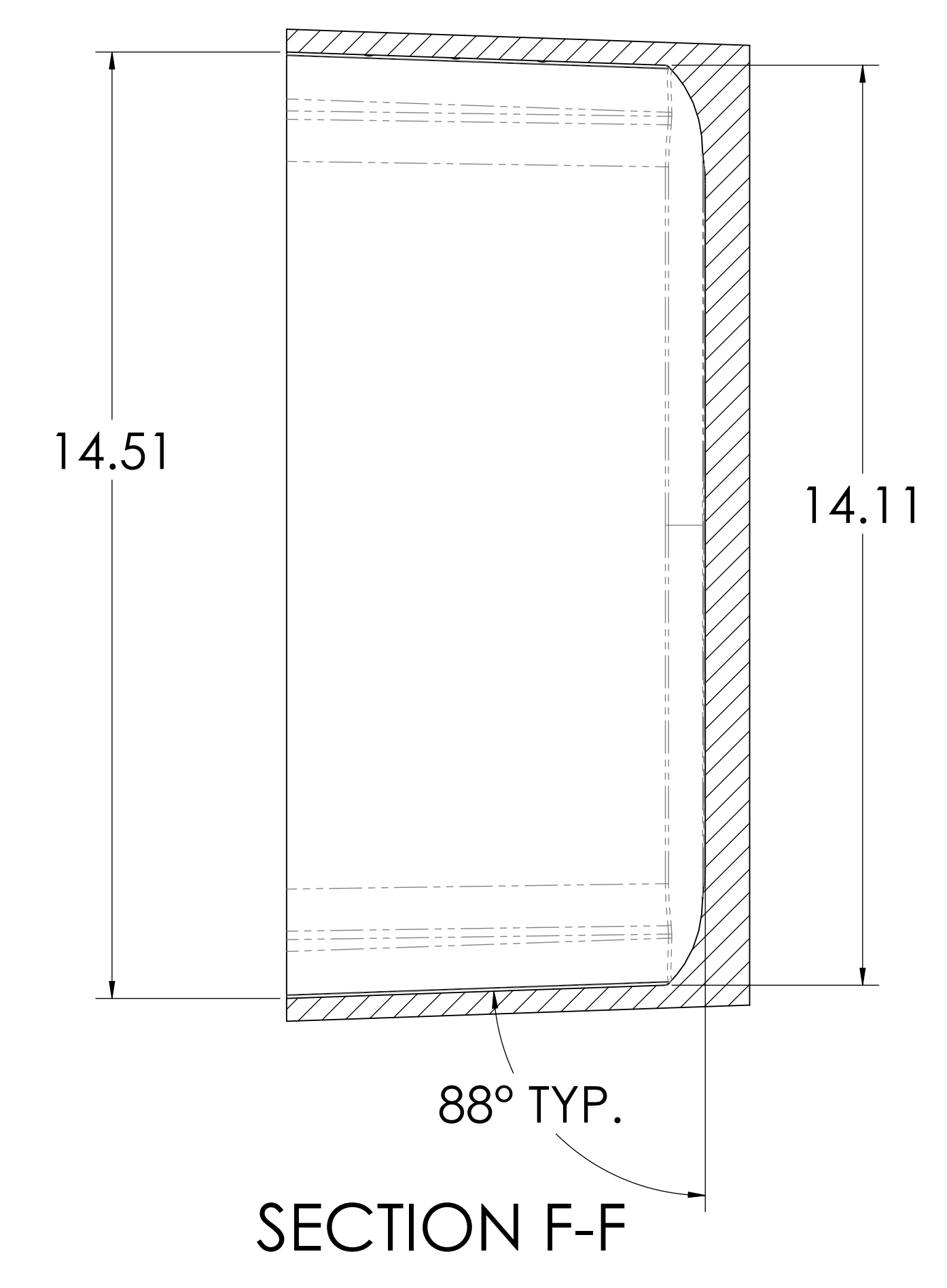
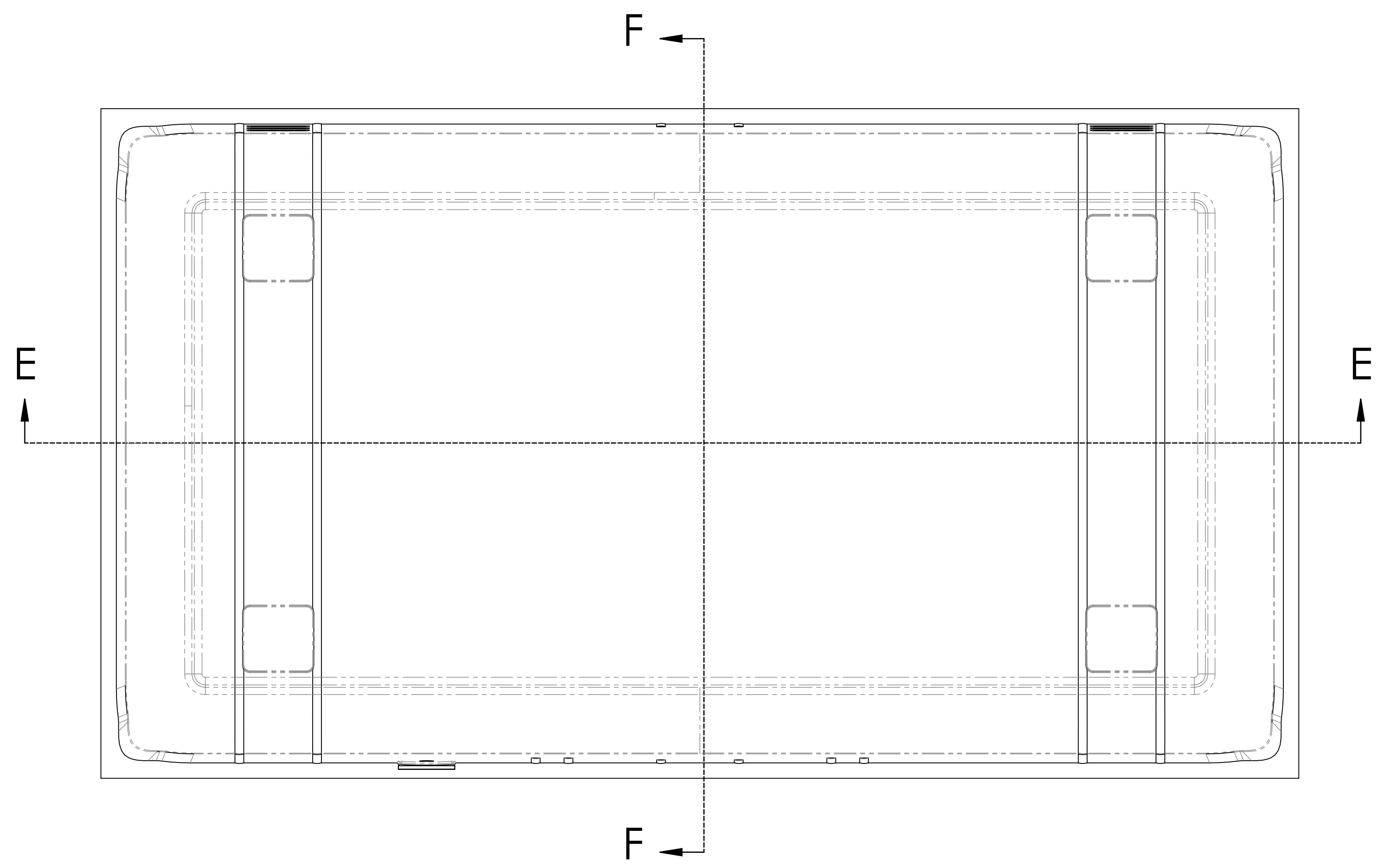


4: CASE CORNERS ARE NOT TRUE RADIUS.
 3: FOR DETAILED INTERNAL DIMENSIONS SEE STEP OR IGES FILE.
 2: PRODUCT MUST BE REACH AND ROHS COMPLIANT.
 1- MATERIAL: POLYPROPYLENE.
 NOTE: UNLESS OTHERWISE SPECIFIED.

TOLERANCE BLOCK	
INCHES	.XX $\pm 0.00 \pm 0.03$ >10.00 ± 0.03 PER INCH
	.XXX ± 0.05
mm	X $\pm 0.25 \pm 0.75$ >254 ± 0.003 PER mm
	.X ± 0.13
ANGLES	$\pm 0.25^\circ$



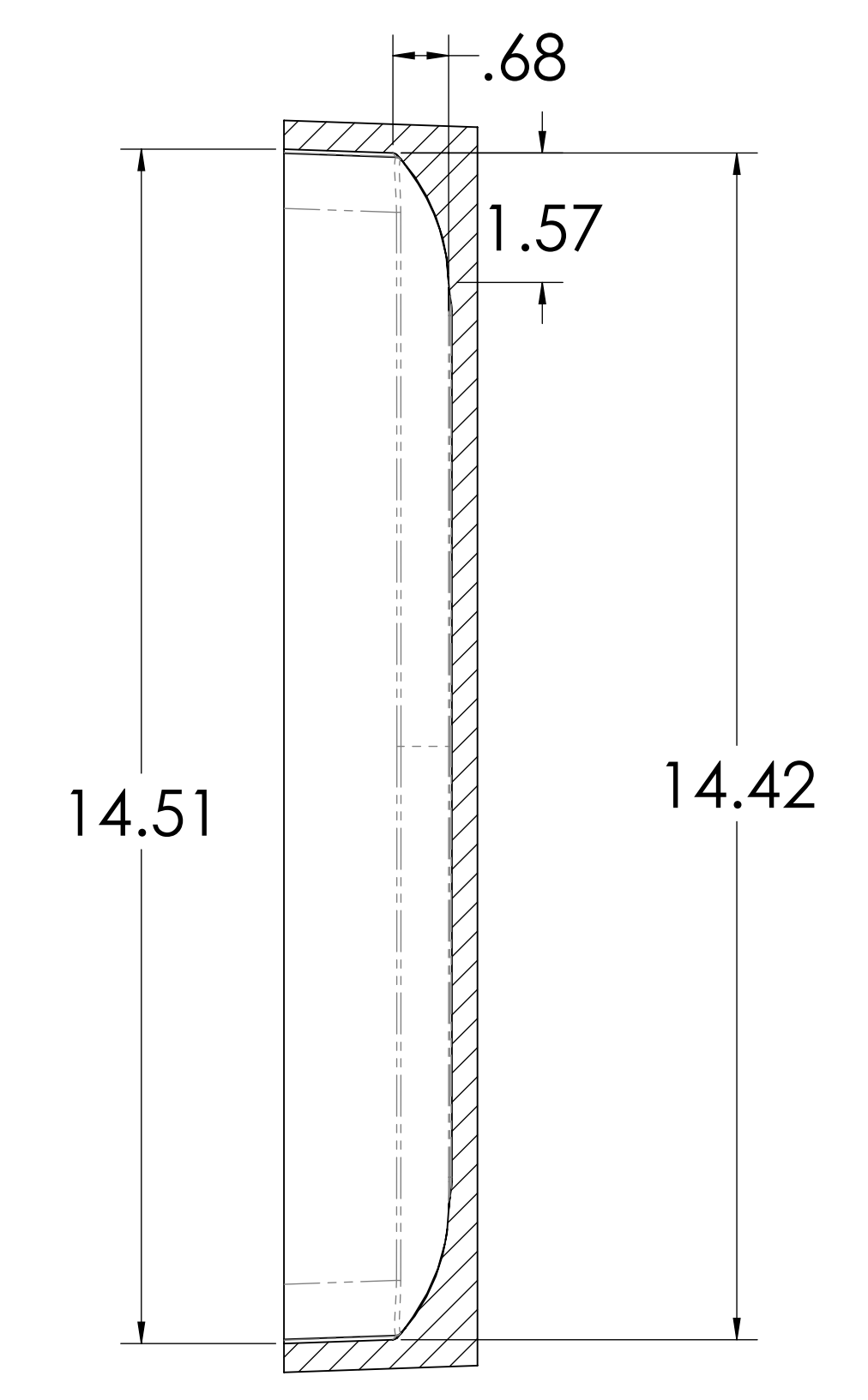
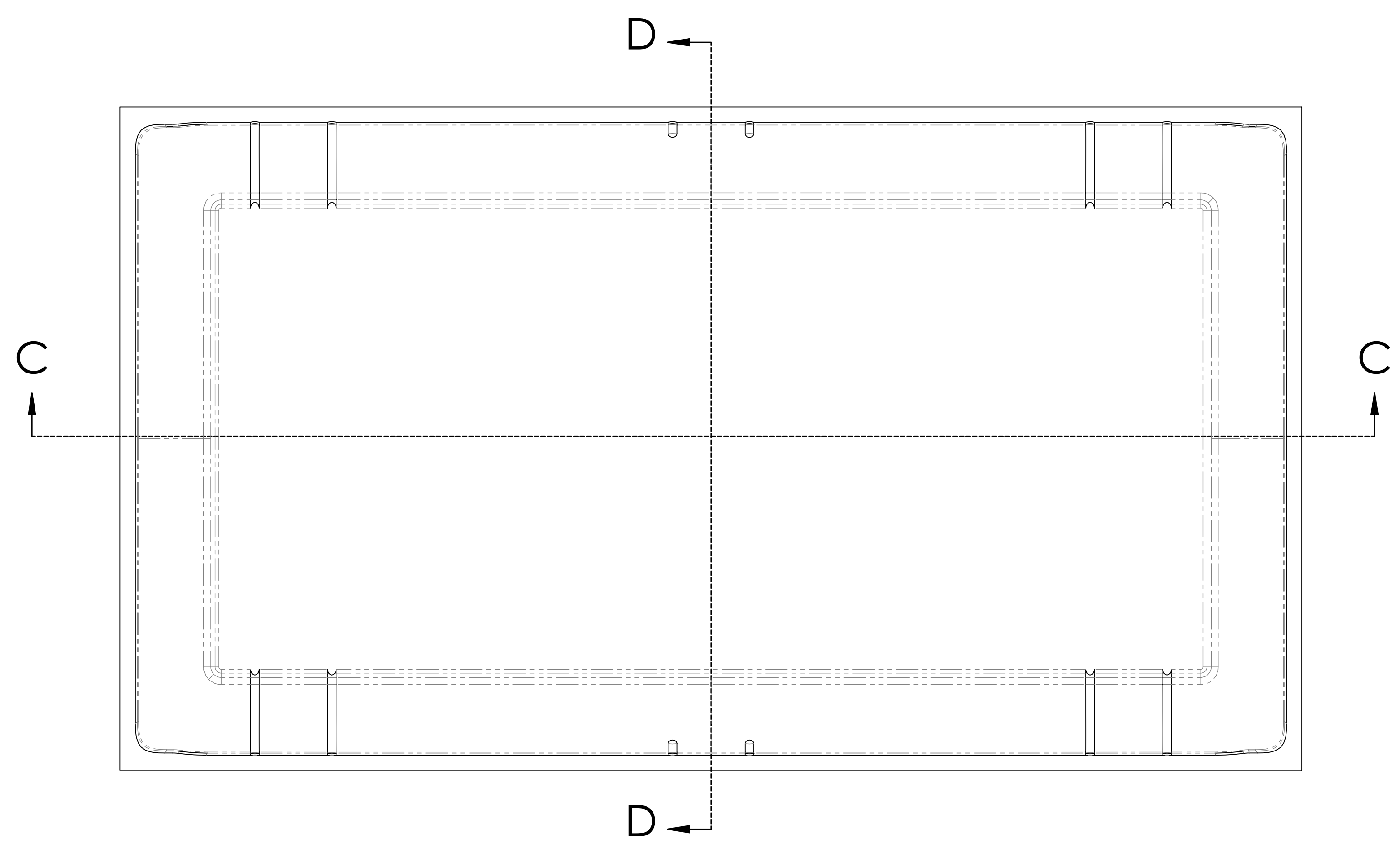
APPROVALS	DATE	TITLE	SCALE	DRAWING NO.	REV
DATE	2016 04 18	1605 CASE ASSEMBLY	1:2	016050-0000-CLR	A
<small>PELICAN PRODUCTS INC. 23215 EARLY AVE., TORRANCE, CA 90503 (310) 326-4700</small> <small>THIS DRAWING CONTAINS INFORMATION PROPRIETARY TO PELICAN PRODUCTS INC. ANY REPRODUCTION, DISCLOSURE OR USE OF THIS DRAWING REQUIRES THE PERMISSION OF PELICAN PRODUCTS INC.</small>					
DO NOT SCALE DRAWING					SHEET 1 OF 3



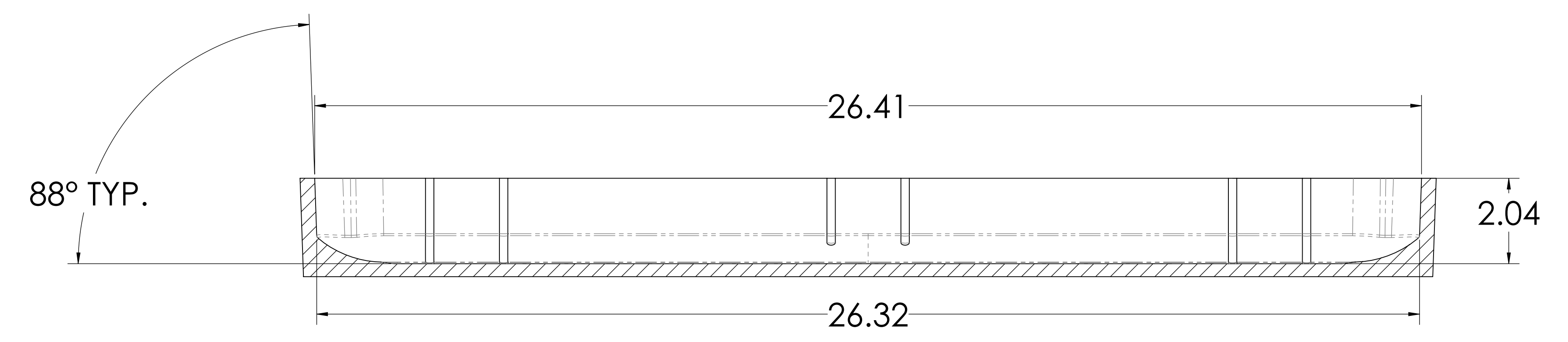
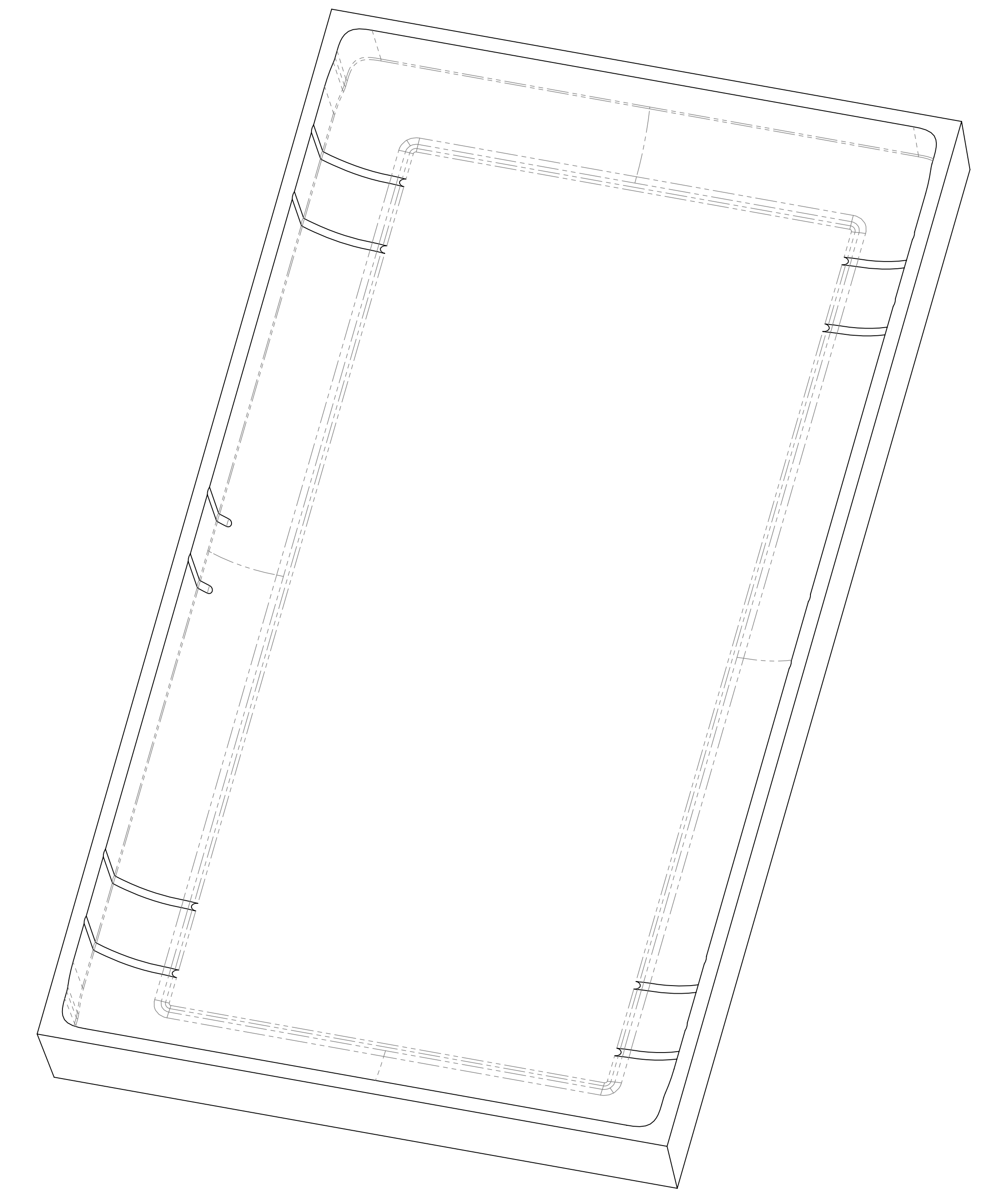
1605 BOTTOM TUB DRAWING INTERIOR DIMENSION

4: CASE CORNERS ARE NOT TRUE RADIUS.
 3: FOR DETAILED INTERNAL DIMENSIONS SEE STEP OR IGES FILE.
 2: PRODUCT MUST BE REACH AND RoHS COMPLIANT.
 1- MATERIAL: POLYPROPYLENE.
 NOTE: UNLESS OTHERWISE SPECIFIED.

TOLERANCE BLOCK		APPROVALS DATE		PELICAN PRODUCTS INC.	
INCHES	.XX <10.00 ±.03 ≥10.00 ±.003 PER INCH	DATE	XX XXXX	23215 EARLY AVE, TORRANCE, CA 90505 (310) 326-4700	
	.XXX ±.005	CHECKED		TITLE 1605 BOTTOM TUB DRAWING	
mm	X ≤254 ±0.75 ≥254 ±0.003 PER mm	APPROVED		SIZE	SCALE
ANGLES	∠ ±.25°	DO NOT SCALE DRAWING		DRAWING NO.	REV
				E 1:2	A
				SHEET 2 OF 3	



SECTION D-D



SECTION C-C

1605 TOP TUB DRAWING INTERIOR DIMENSION

4: CASE CORNERS ARE NOT TRUE RADIUS.
 3: FOR DETAILED INTERNAL DIMENSIONS SEE STEP OR IGES FILE.
 2: PRODUCT MUST BE REACH AND ROHS COMPLIANT.
 1- MATERIAL: POLYPROPYLENE.
 NOTE: UNLESS OTHERWISE SPECIFIED.

TOLERANCE BLOCK		APPROVALS DATE		PELICAN PRODUCTS INC.	
INCHES	.XX <10.00 ±.03 ≥10.00 ±.003 PER INCH	DATE	XXXX	23215 EARLY AVE., TORRANCE, CA 90505 (310) 326-4700	
	.XXX ±.005	CHECKED		TITLE	
mm	X ±.254 ±0.75 ≥254 ±0.003 PER mm	APPROVED		1605 TOP TUB DRAWING	
	.X ±0.13			SIZE	SCALE
ANGLES	±.25°			E	1:2
				DRAWING NO. RY	
				00	
				DO NOT SCALE DRAWING SHEET 3 OF 3	