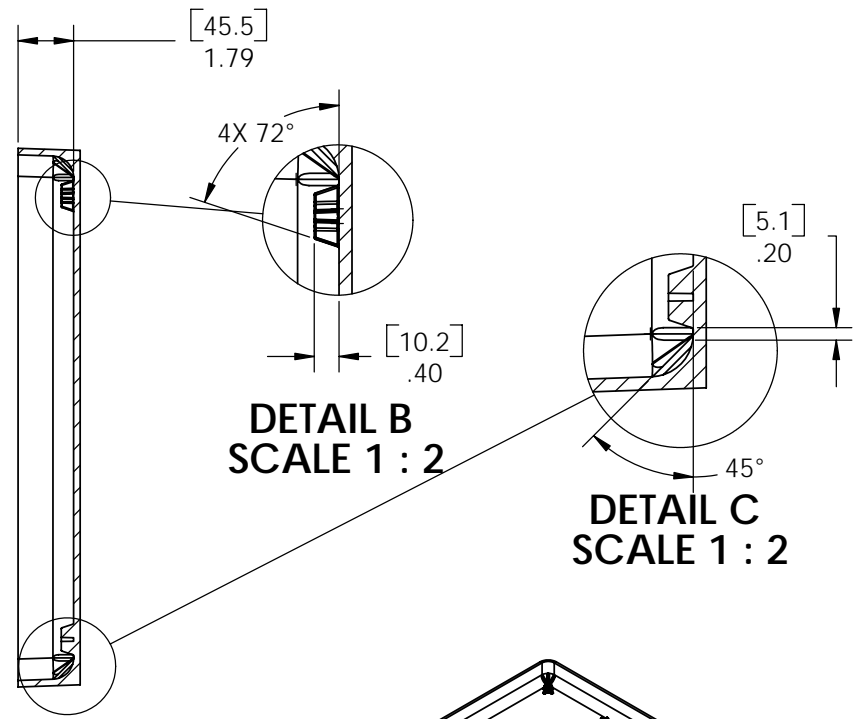
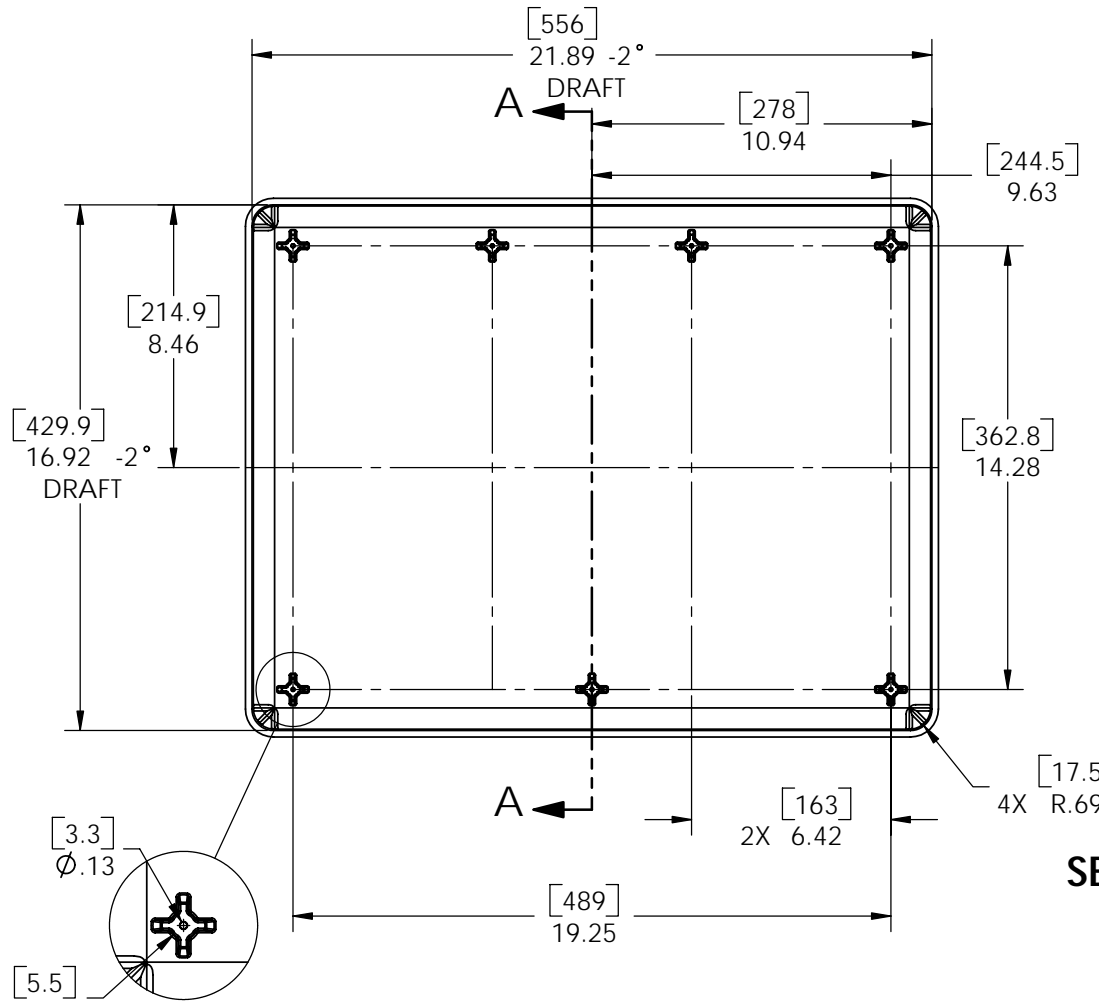


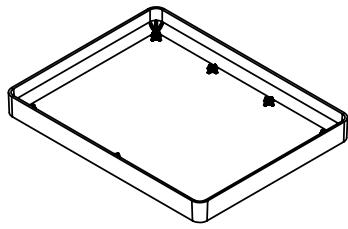
1602 CASE TOP

REVISIONS				
REV.	DESCRIPTION	DATE	DRFTR	APPRVD

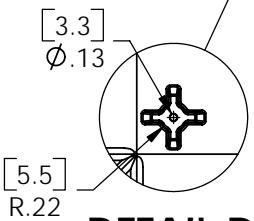


DETAIL B
SCALE 1 : 2

DETAIL C
SCALE 1 : 2



SECTION A-A



DETAIL D
SCALE 1 : 2

1. ALL DIMENSIONS ARE TO INTERNAL DIMENSIONS OF CASE.
NOTES: UNLESS OTHERWISE SPECIFIED.



This Drawing contains information proprietary to Pelican Products Inc. any reproduction disclosure or use of this drawing requires written permission of Pelican Products Inc.

PELICAN PRODUCTS INC.
23215 EARLY AVE., TORRANCE, CA 90505 (310) 326-4700

TITLE
**TOP, 1600 Case
INTERNAL GEOMETRY**

SIZE B	SCALE 1:4	DRAWING NO. 1602 CASE TOP	REV PR
------------------	--------------	-------------------------------------	-----------