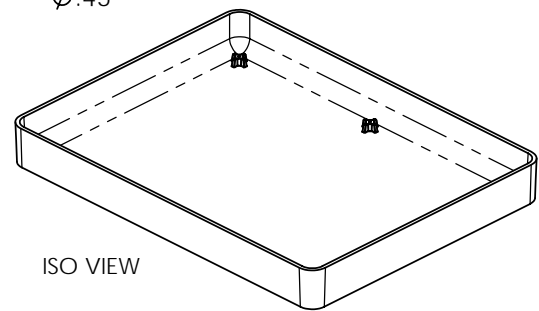
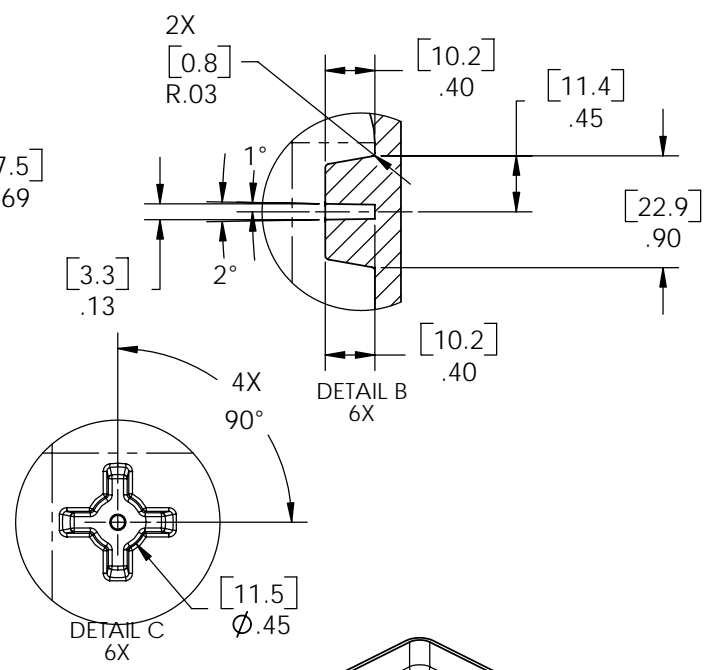
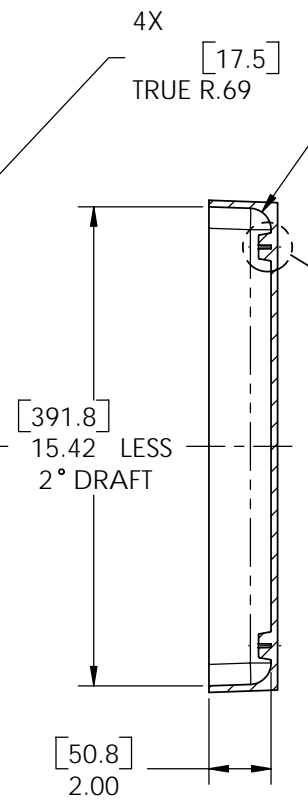
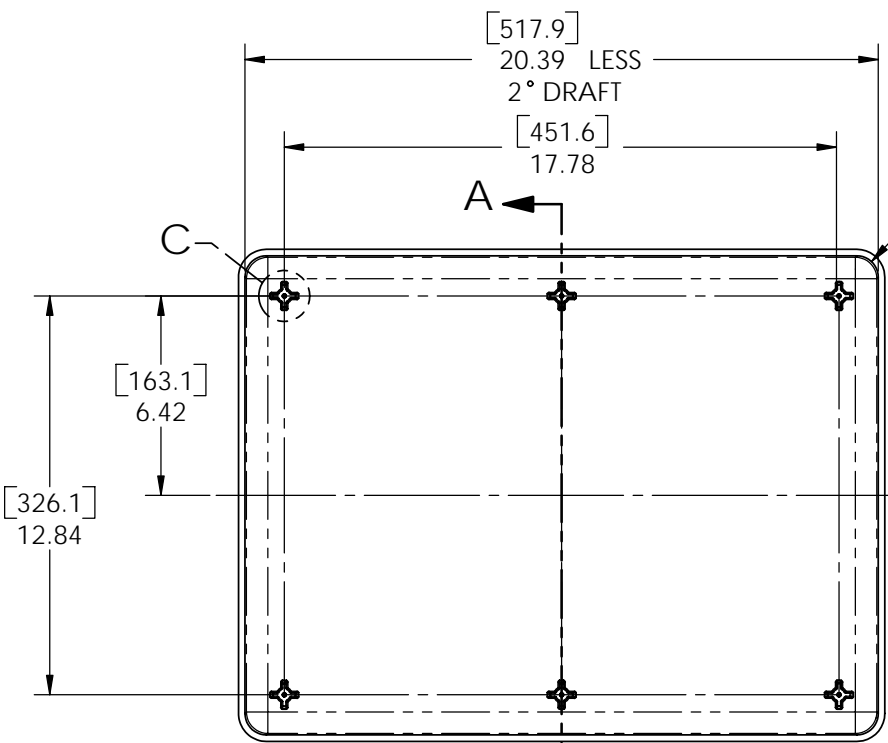


REVISIONS				
REV.	DESCRIPTION	DATE	DRFTR	APPRVD

1560



1. ALL DIMENSIONS ARE TO INTERNAL GEOMETRY OF CASE.
NOTES: UNLESS OTHERWISE SPECIFIED.



UNSPECIFIED TOLERANCES	DESIGN	APPROVALS	DATE	PELICAN PRODUCTS INC. 23215 EARLY AVE., TORRANCE, CA 90505 (310) 326-4700		
	CHECKED			TITLE 1560 CUBE CASE, TOP INTERNAL GEOMETRY		
	APPROVED					
This Drawing contains information proprietary to Pelican Products Inc. any reproduction disclosure or use of this drawing requires written permission of Pelican Products Inc.	SIZE	SCALE	DRAWING NO.	REV		
	B	1:1	1560	PR		
DO NOT SCALE DRAWING				SHEET	1	OF 1