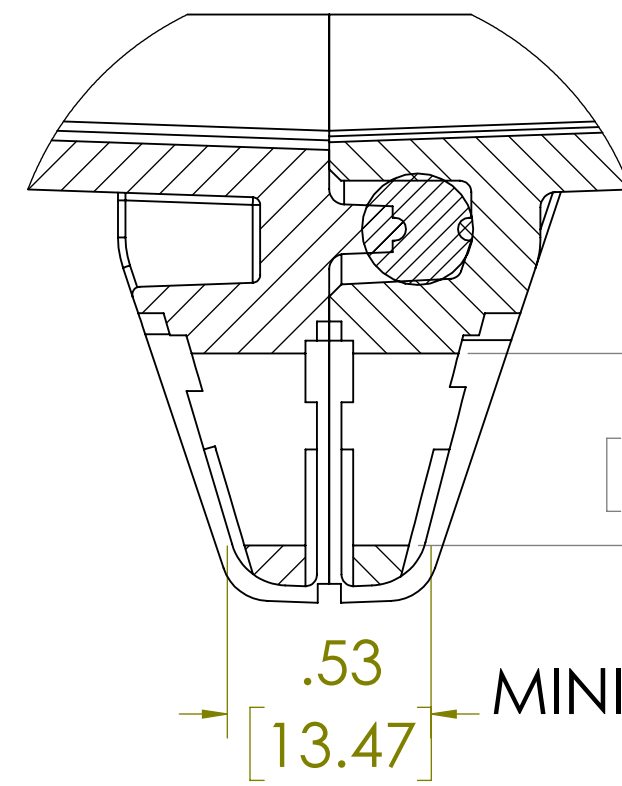
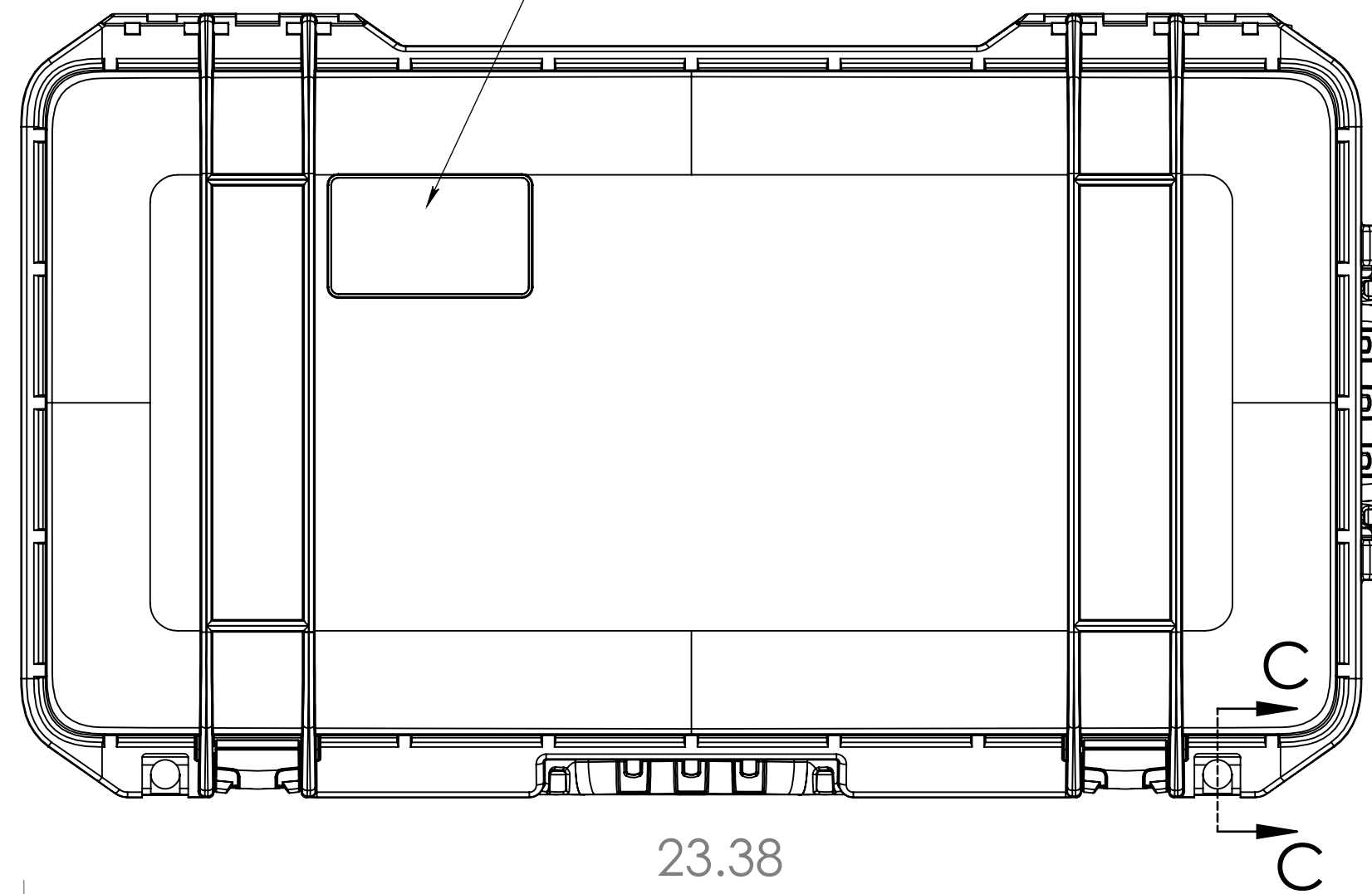


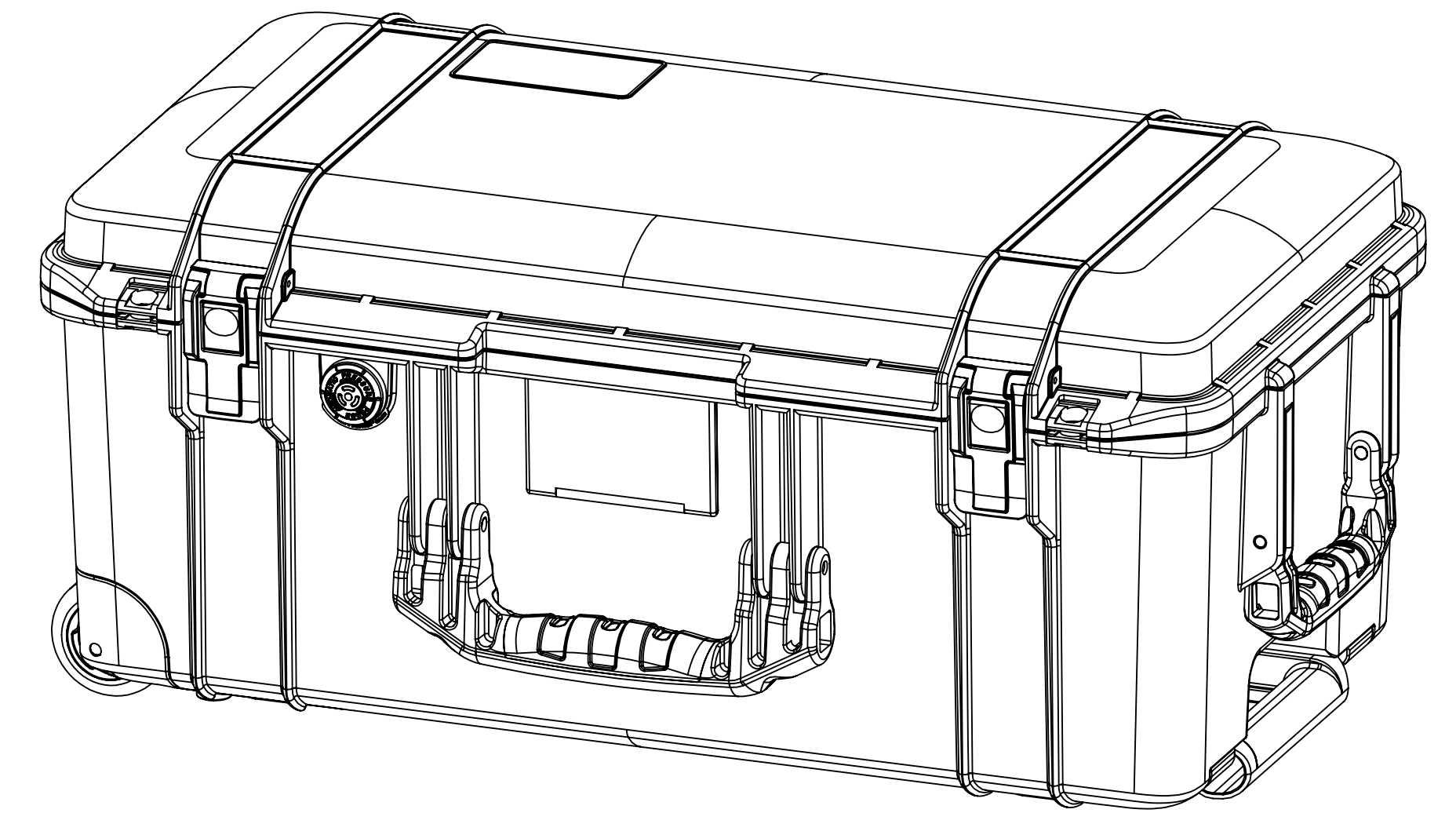
LABEL AREA
3.35" x 1.96" WITH R.1.25 CORNERS



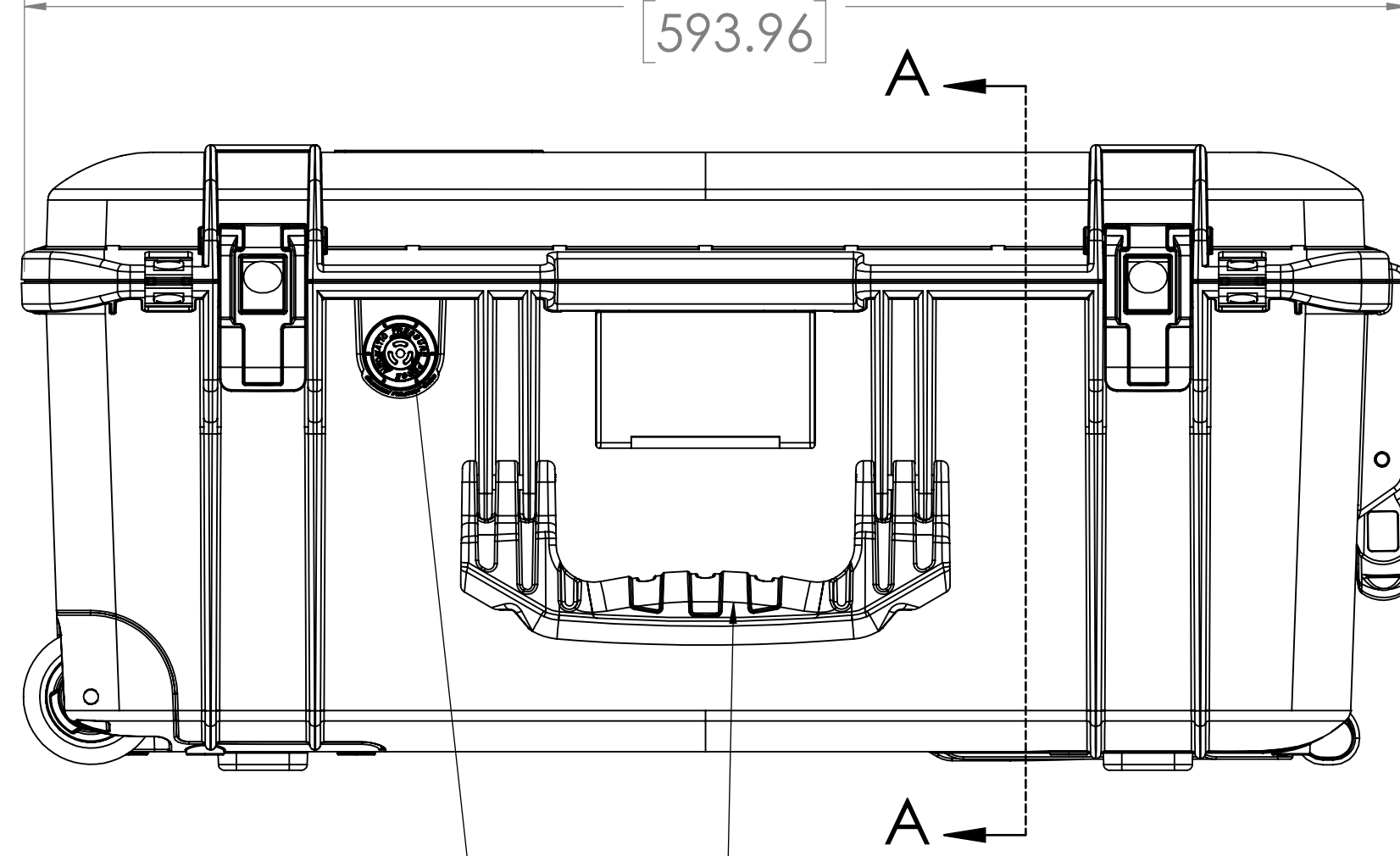
Ø .50
[12.70] LOCK PROTECTOR
FITS 3/8" LOCK HASP

.53
[13.47] MINIMUM HASP LENGTH

SECTION C-C
SCALE 2 : 1

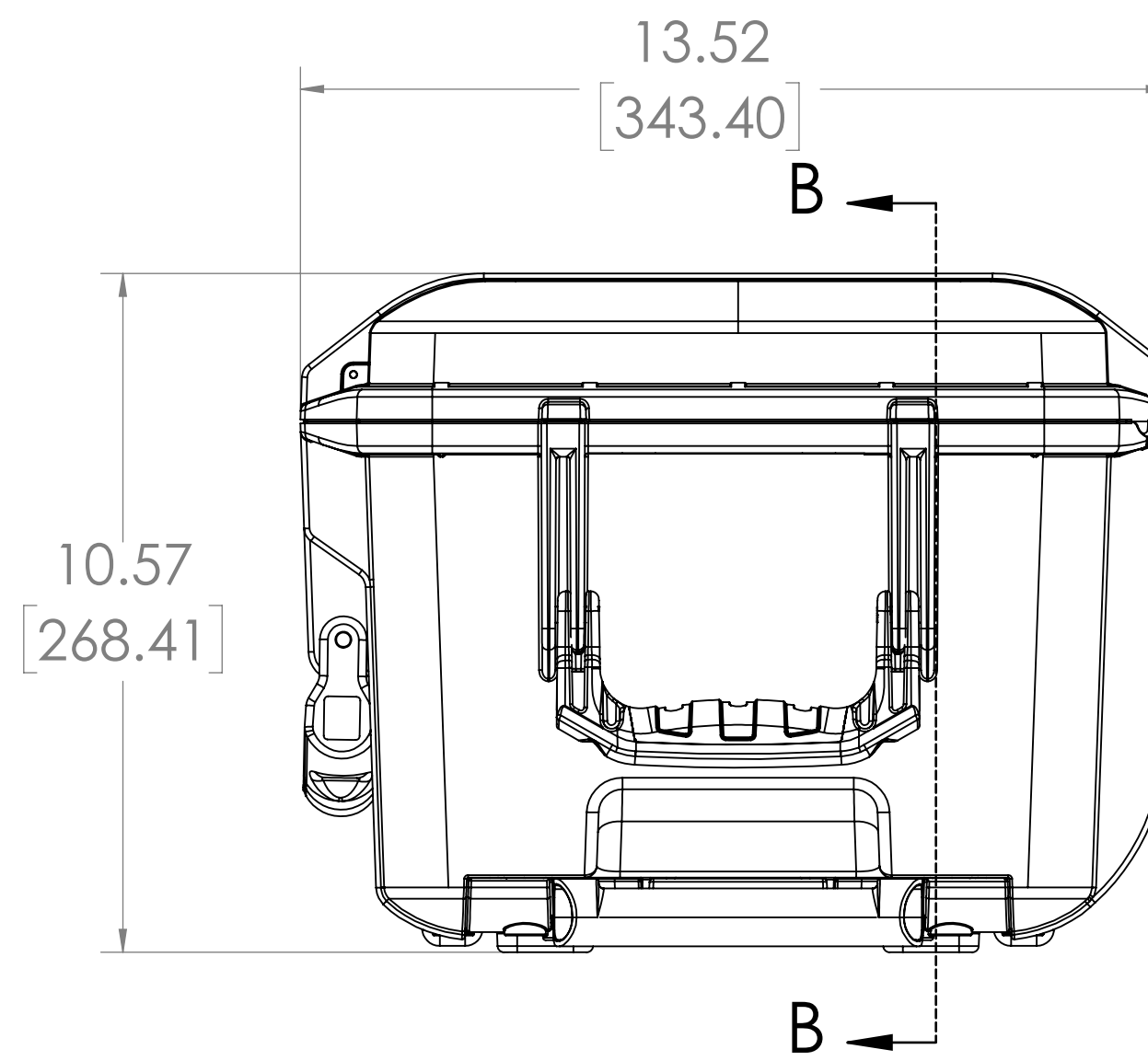


23.38
[593.96]



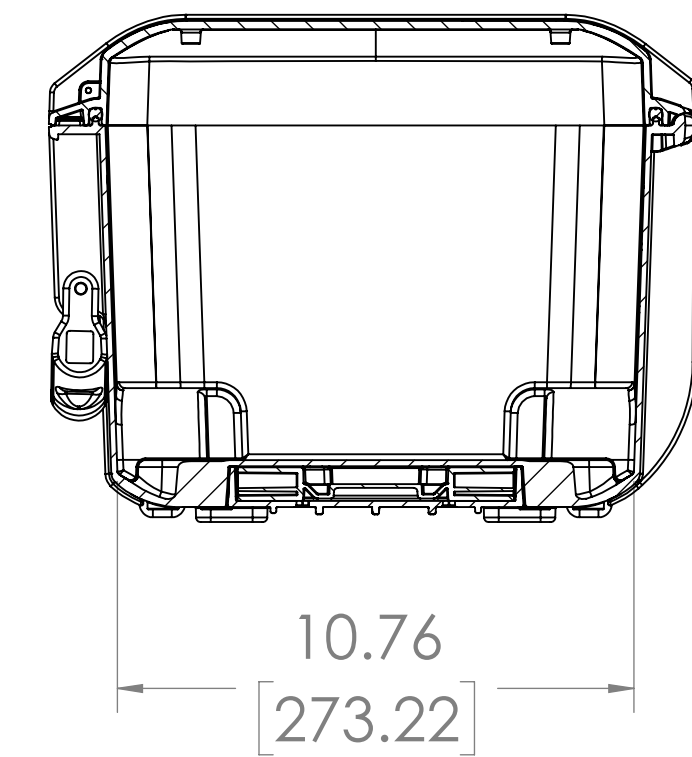
AUTOMATIC PRESSURE
EQUALIZATION VALVE

SOFT TOUCH
OVERMOLDED HANDLE



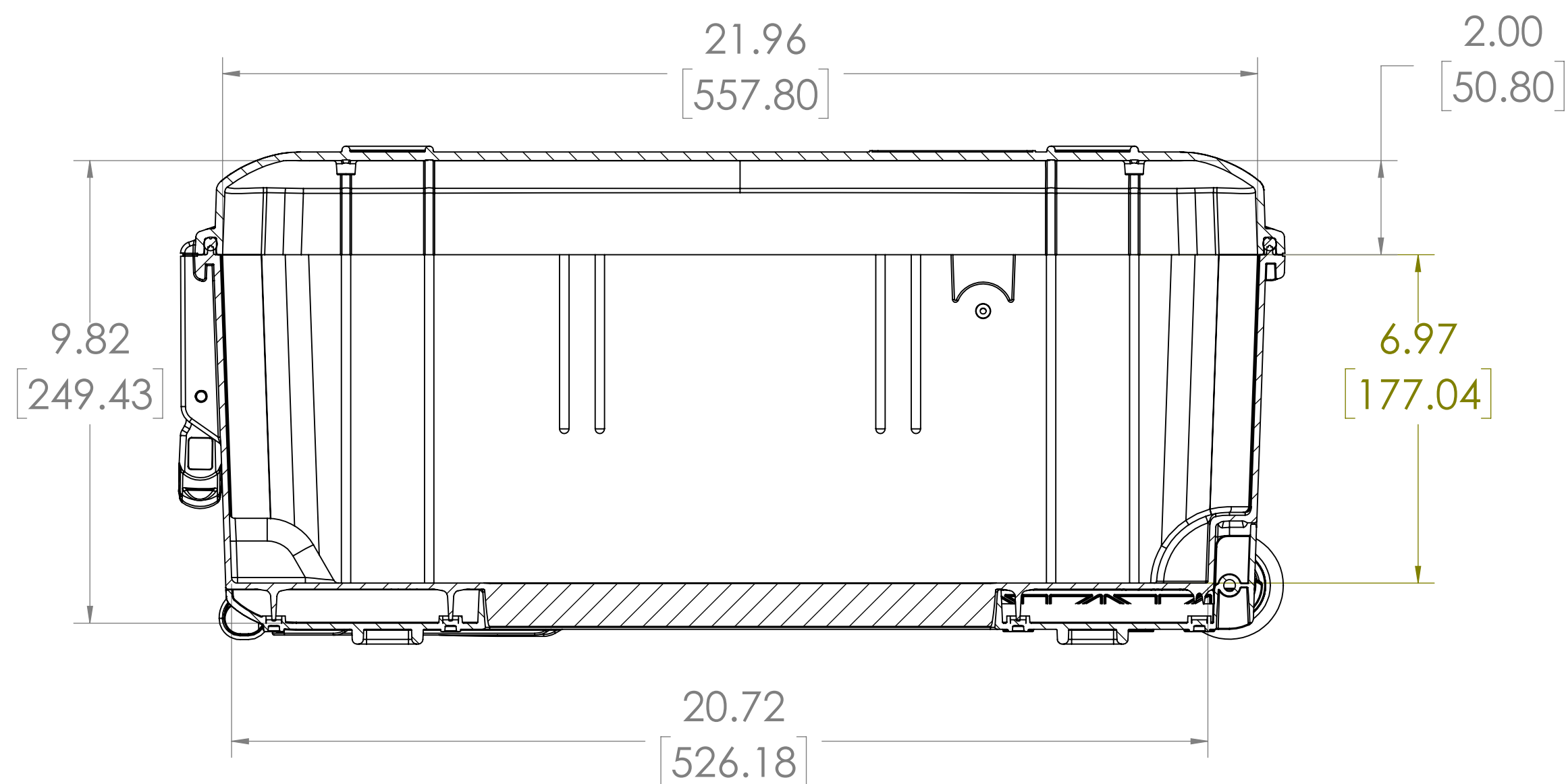
13.52
[343.40]

10.57
[268.41]



10.76
[273.22]

SECTION A-A



21.96
[557.80]

2.00
[50.80]

9.82
[249.43]

6.97
[177.04]

20.72
[526.18]

SECTION B-B
SCALE 1 : 2.75

NOTES:

1. DIMENSIONS ARE FOR REFERENCE ONLY; TYPICAL INDUSTRY-STANDARD TOLERANCES APPLY
2. DIMENSIONS ARE IN: INCHES [mm]
3. REFER TO PELICAN.COM FOR CURRENT INFORMATION ON COLORS, CONFIGURATIONS, AND ACCESSORIES.



DATE 2.26.19 **PELICAN PRODUCTS INC.**
23215 EARLY AVE., TORRANCE, CA 90505 (310) 326-4700

1556 AIR CASE
CUSTOMER DRAWING