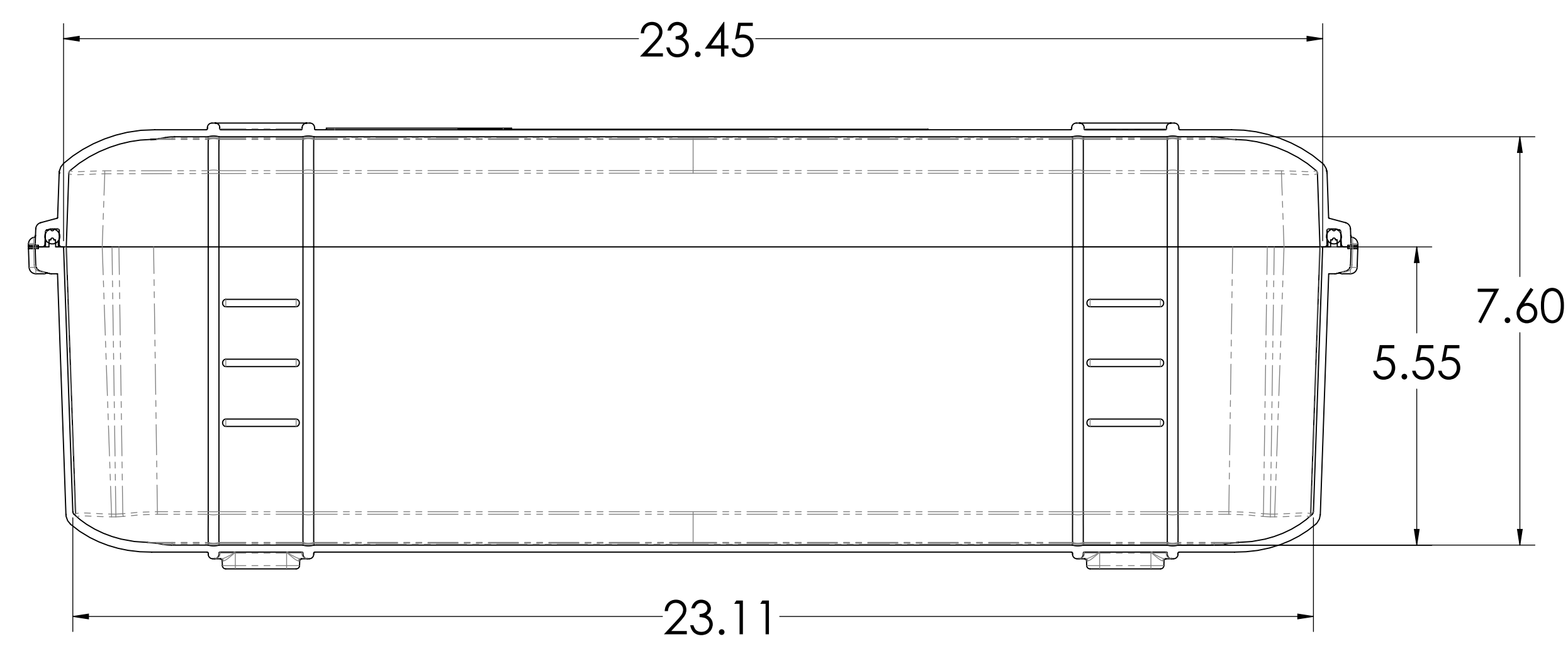
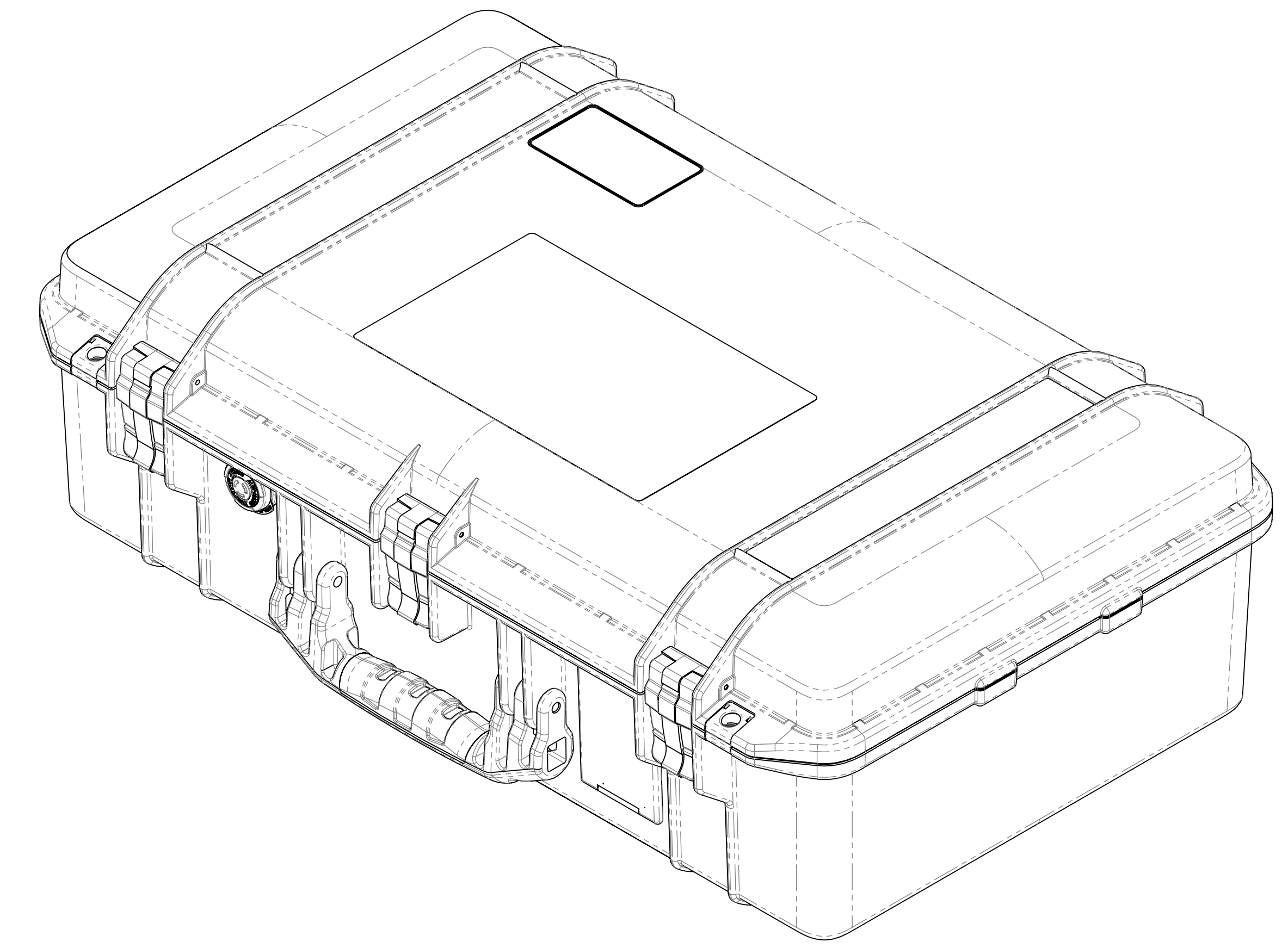
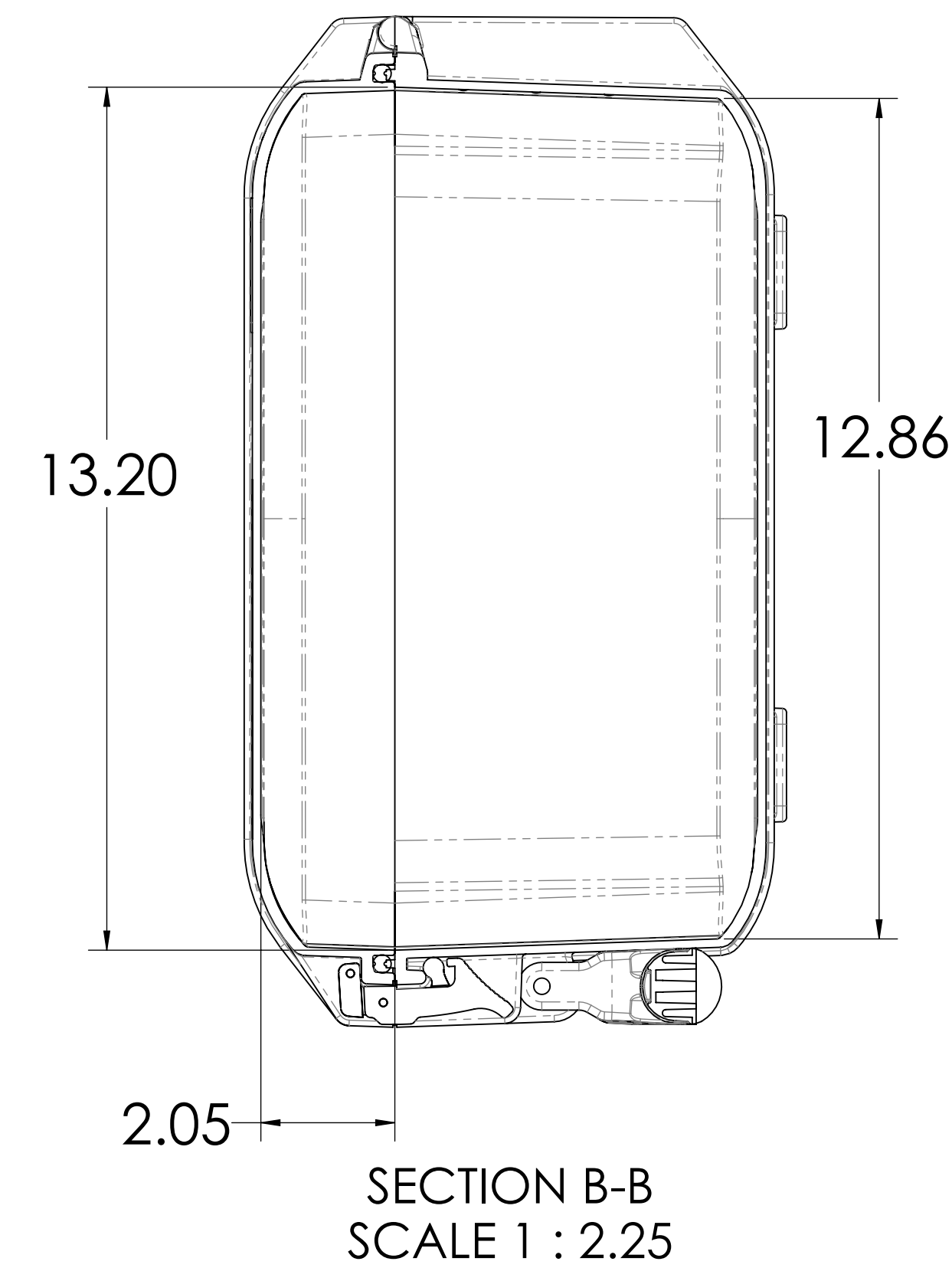
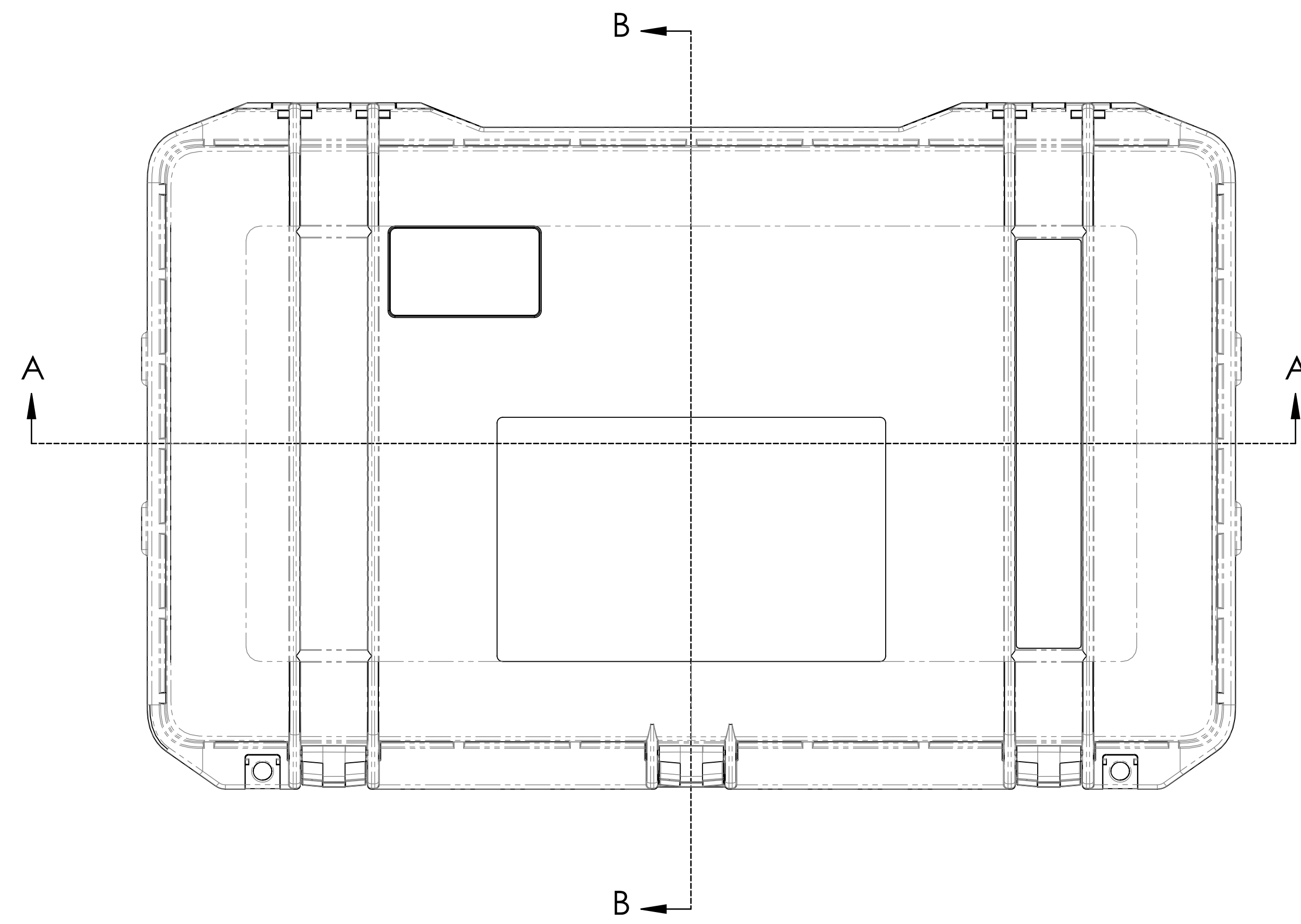
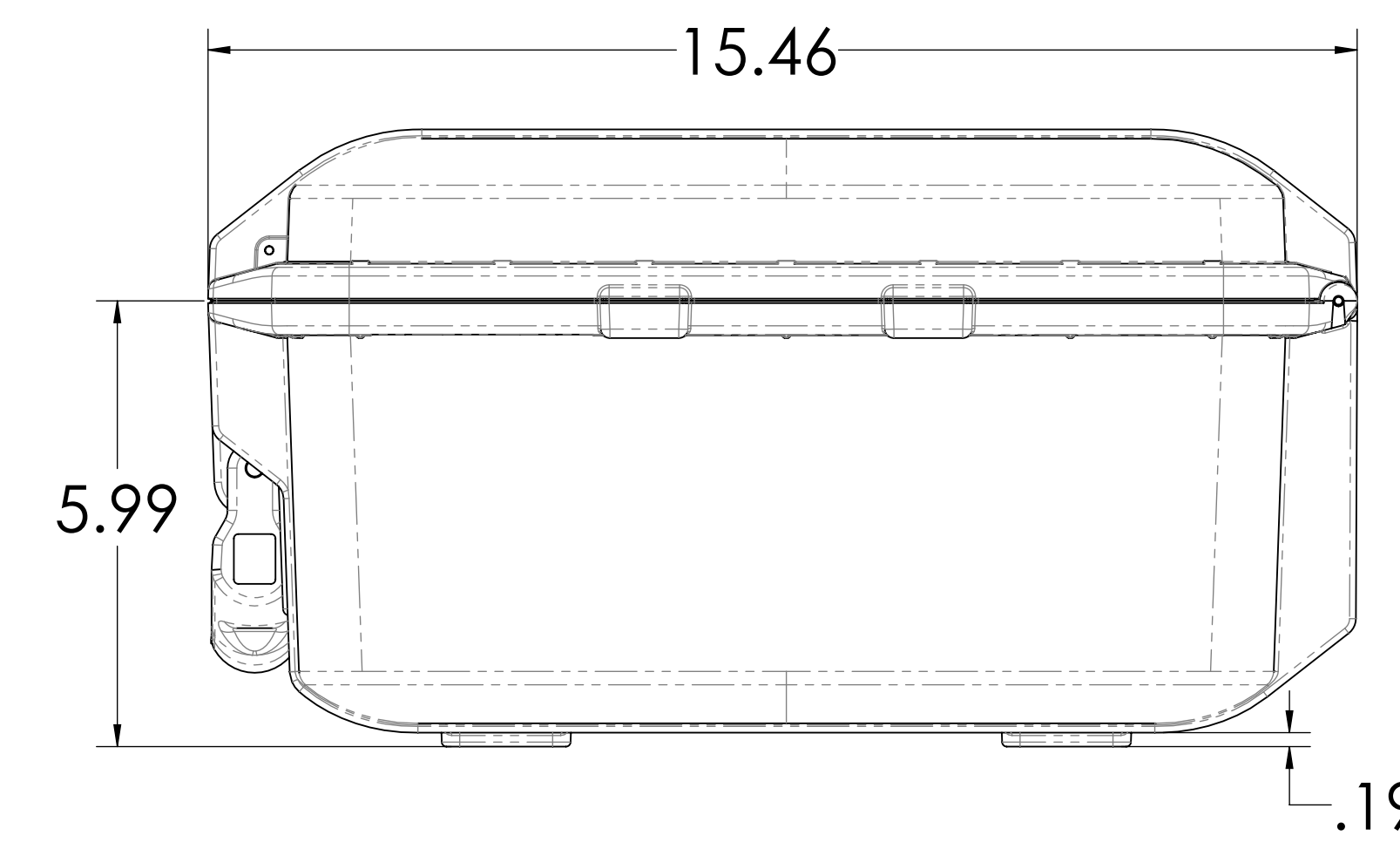
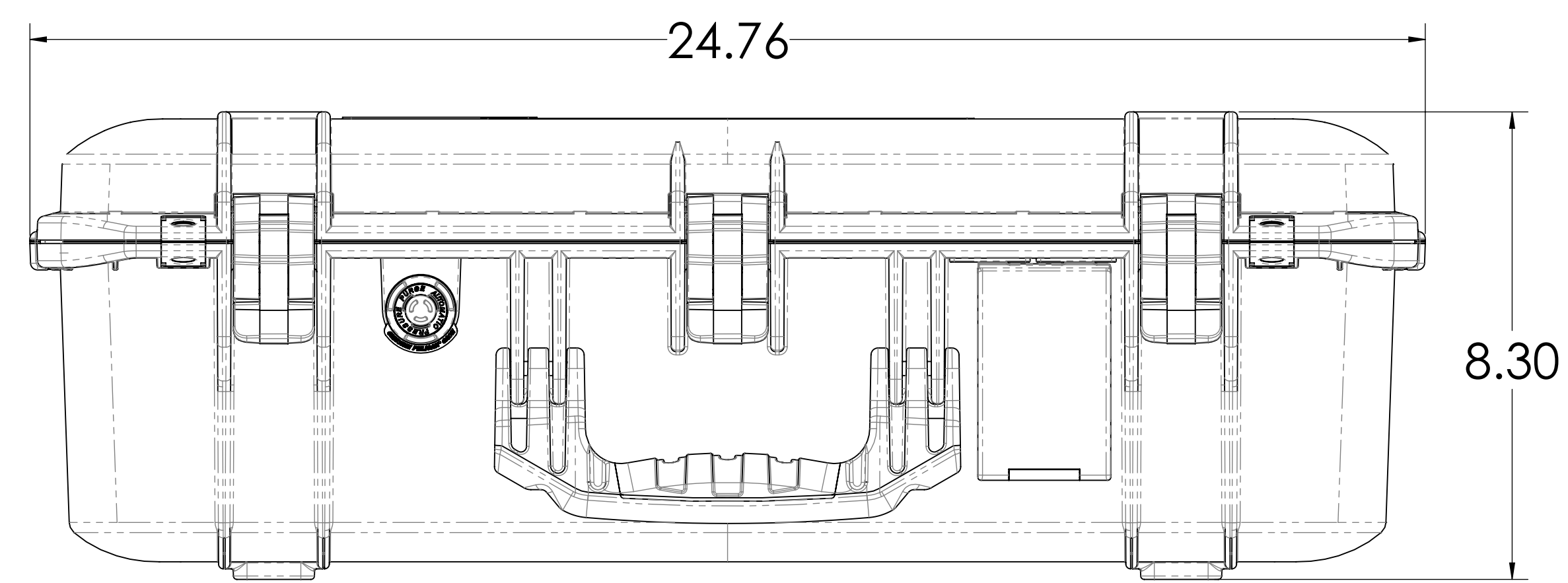


REVISIONS				
REV.	DESCRIPTION	DATE	DRAWN	APPROVED
A	DRAWING RELEASE	4/18/16	MH	MG

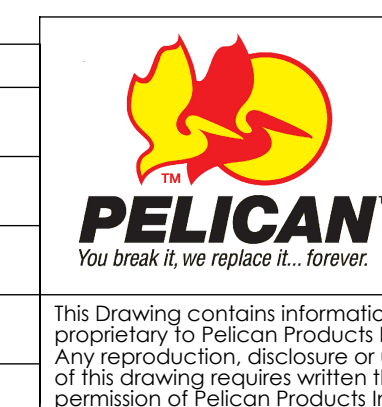


SECTION A-A
SCALE 1 : 2.25



4: CASE CORNERS ARE NOT TRUE RADIUS.
 3: FOR DETAILED INTERNAL DIMENSIONS SEE STEP OR IGES FILE.
 2: PRODUCT MUST BE REACH AND RoHS COMPLIANT.
 1: MATERIAL: POLYPROPYLENE.
 NOTE: UNLESS OTHERWISE SPECIFIED.

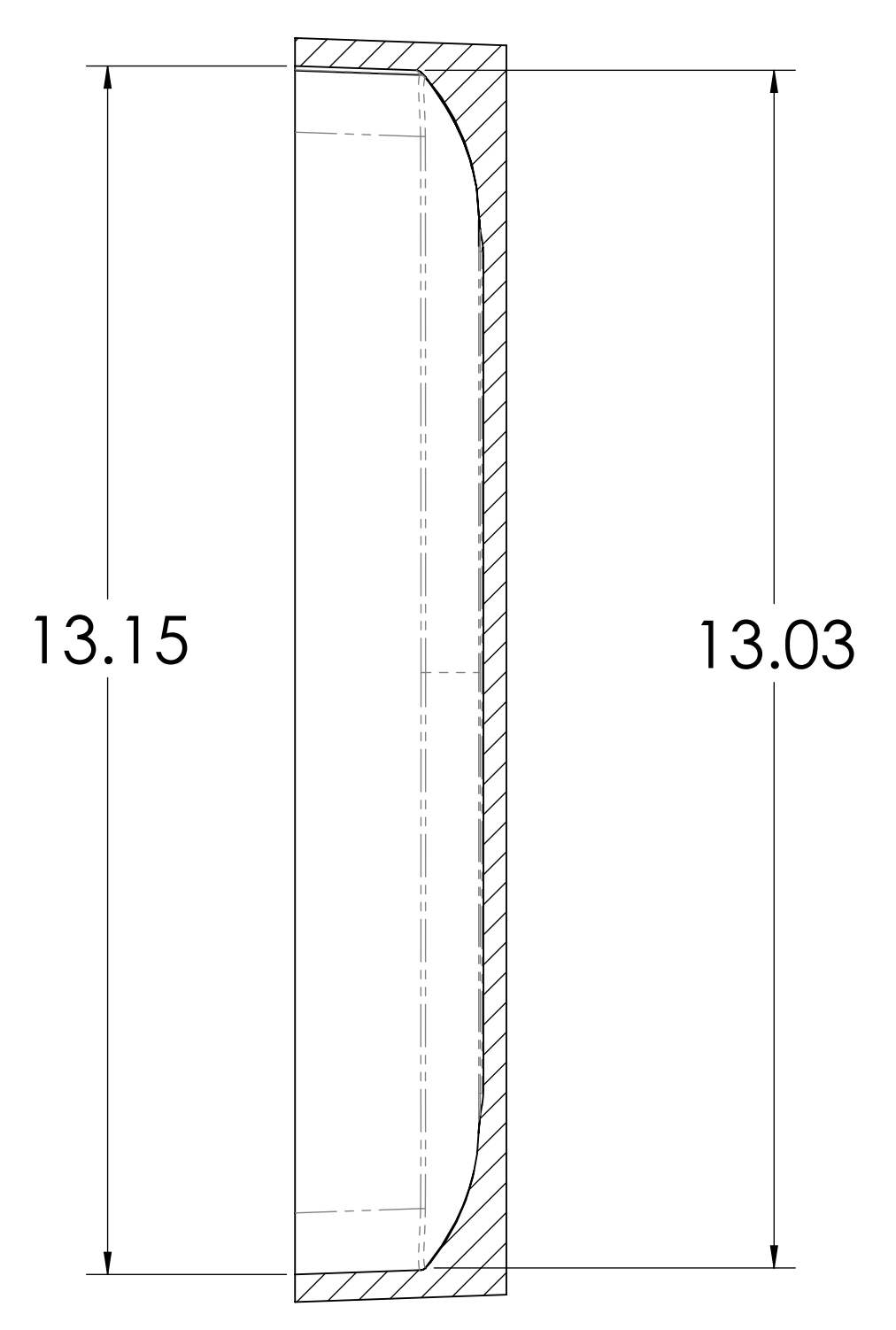
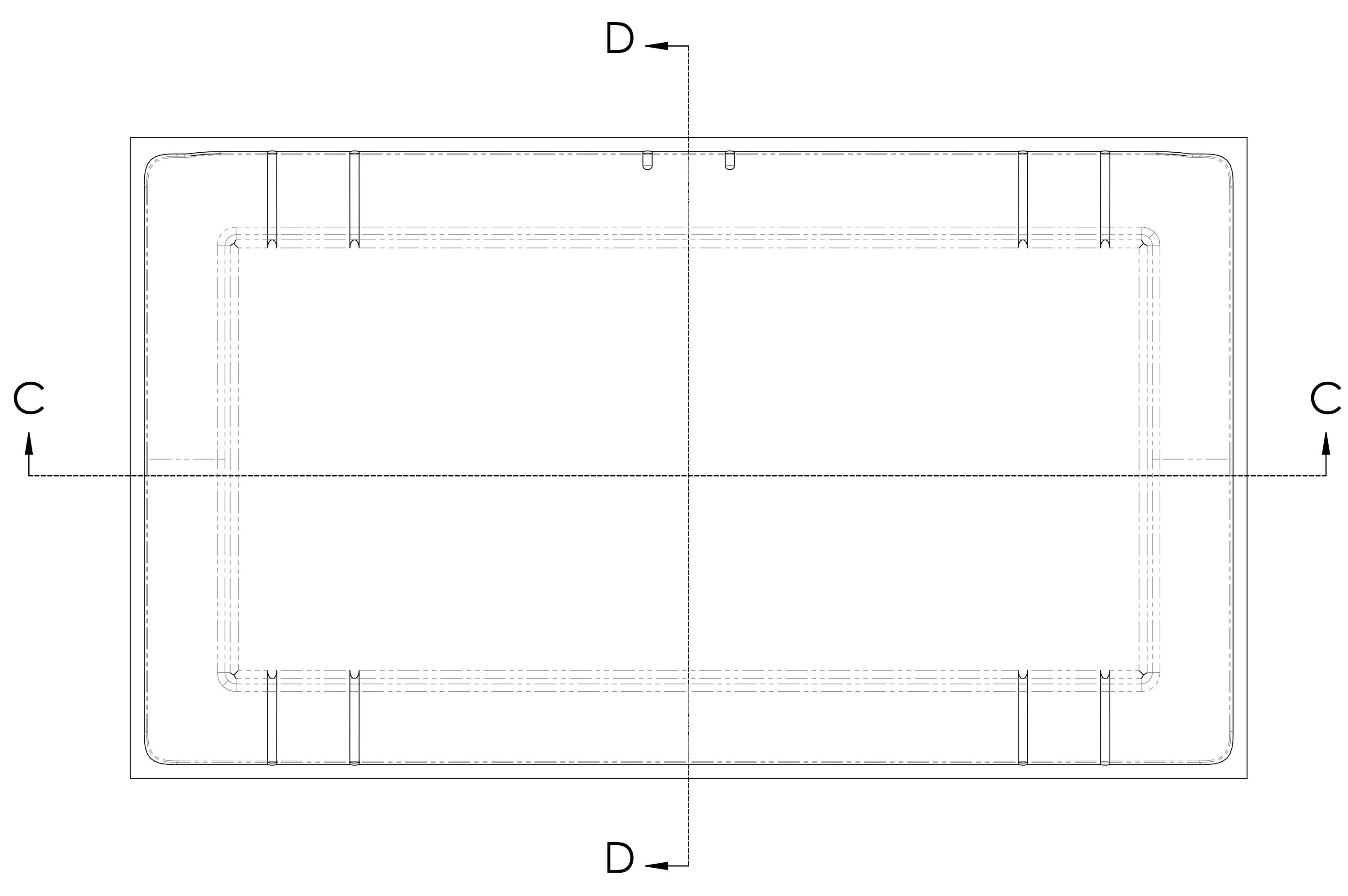
TOLERANCE BLOCK	
INCHES	.XX <10.00 ±.03 .XXX >10.00 ±.003 PER INCH
mm	X <254 ±0.75 .X >254 ±0.003 PER mm
ANGLES	±.25°



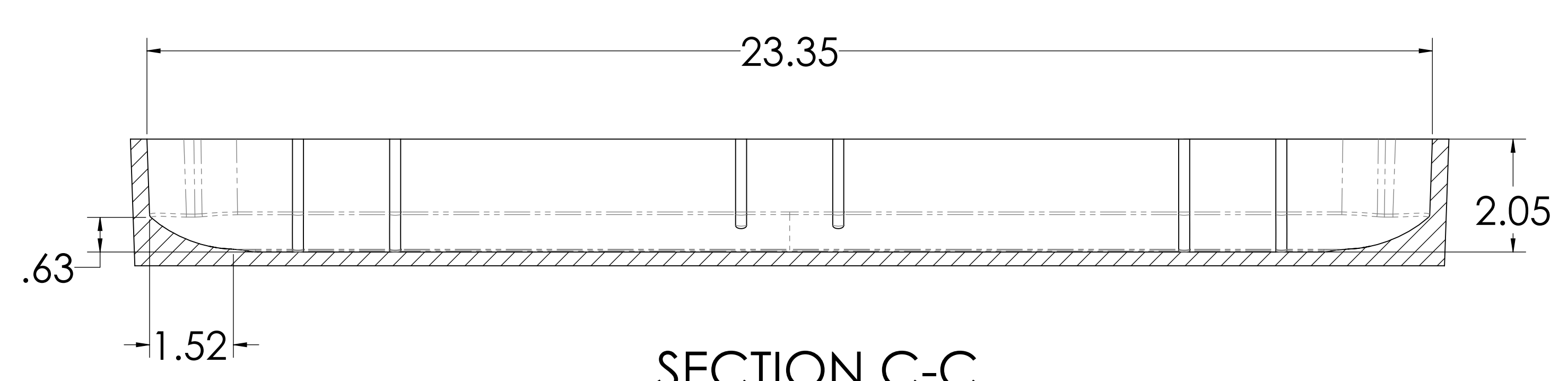
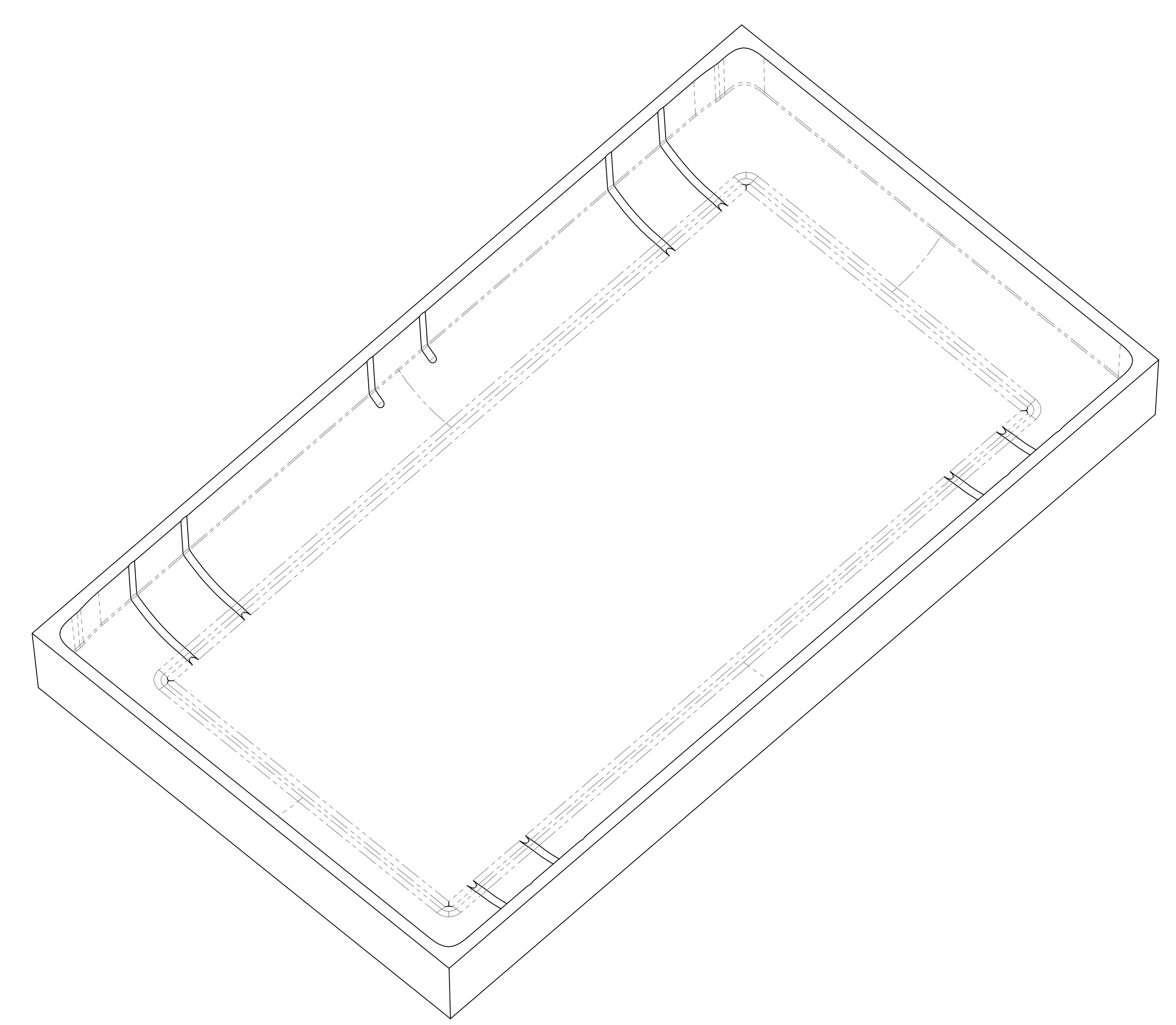
APPROVALS	DATE	TITLE	SCALE	DRAWING NO.	REV
		1555 CASE ASSEMBLY INTERIOR AND EXTERIOR DIMENSION	1:2	015550-0000-CLR	A

PELICAN PRODUCTS INC.
 23215 EARLY AVE., TORRANCE, CA 90503 (310) 326-4700

DO NOT SCALE DRAWING



SECTION D-D
SCALE 1 : 1.85

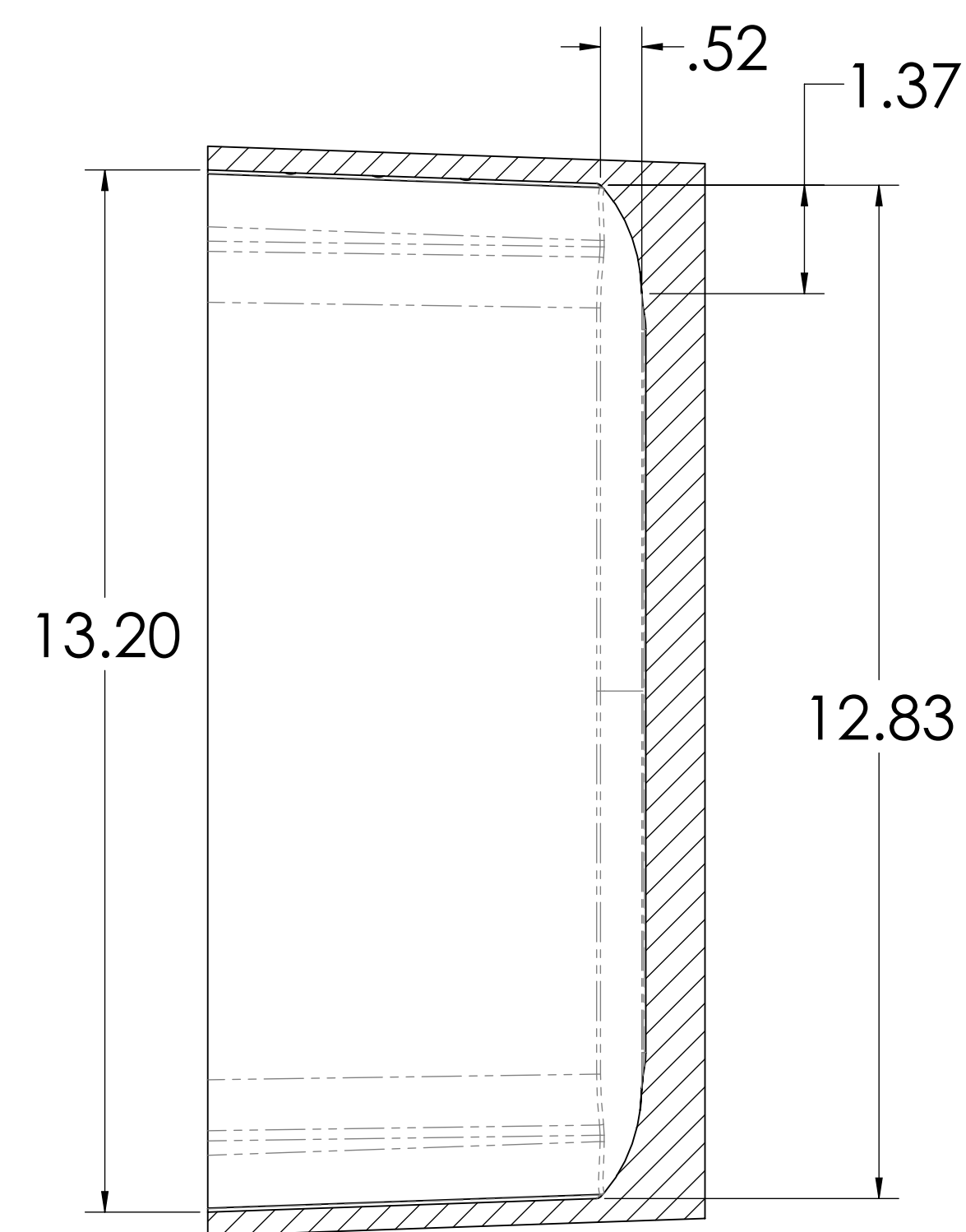
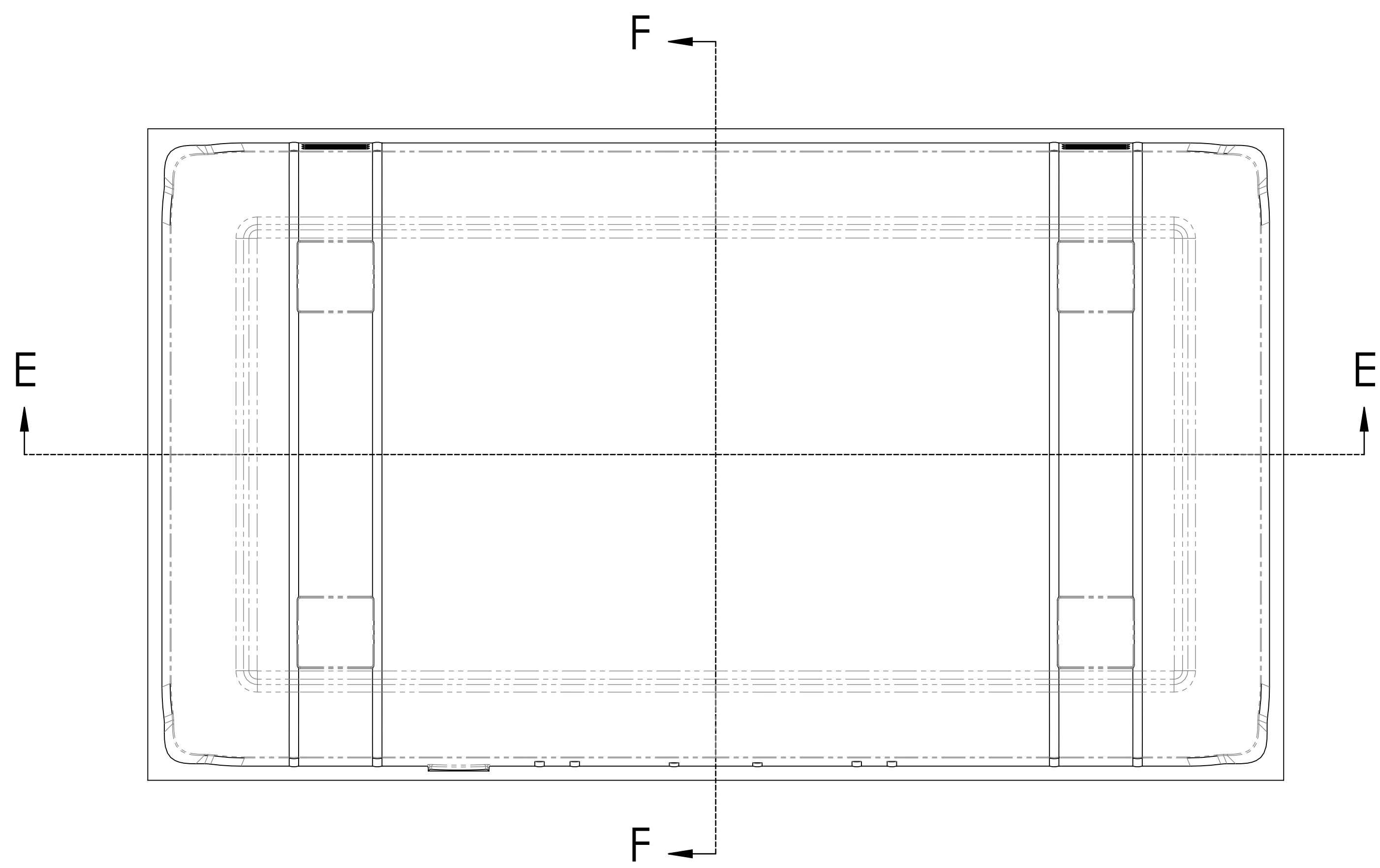


SECTION C-C
SCALE 1 : 1.85

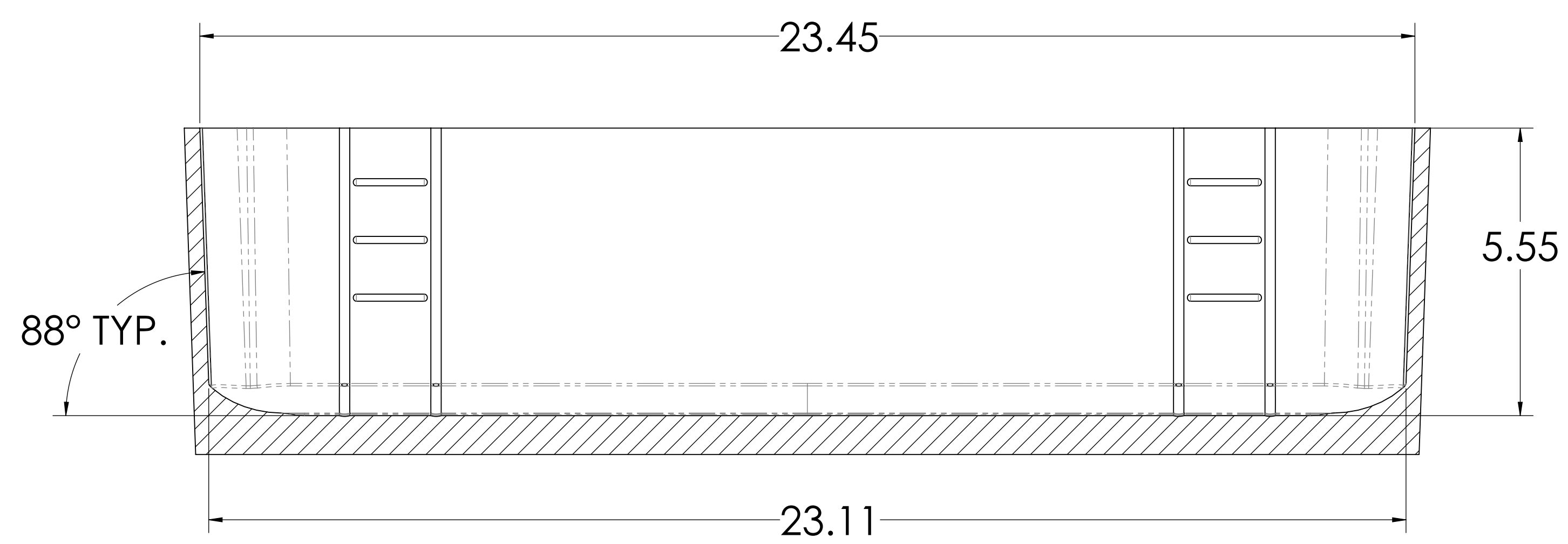
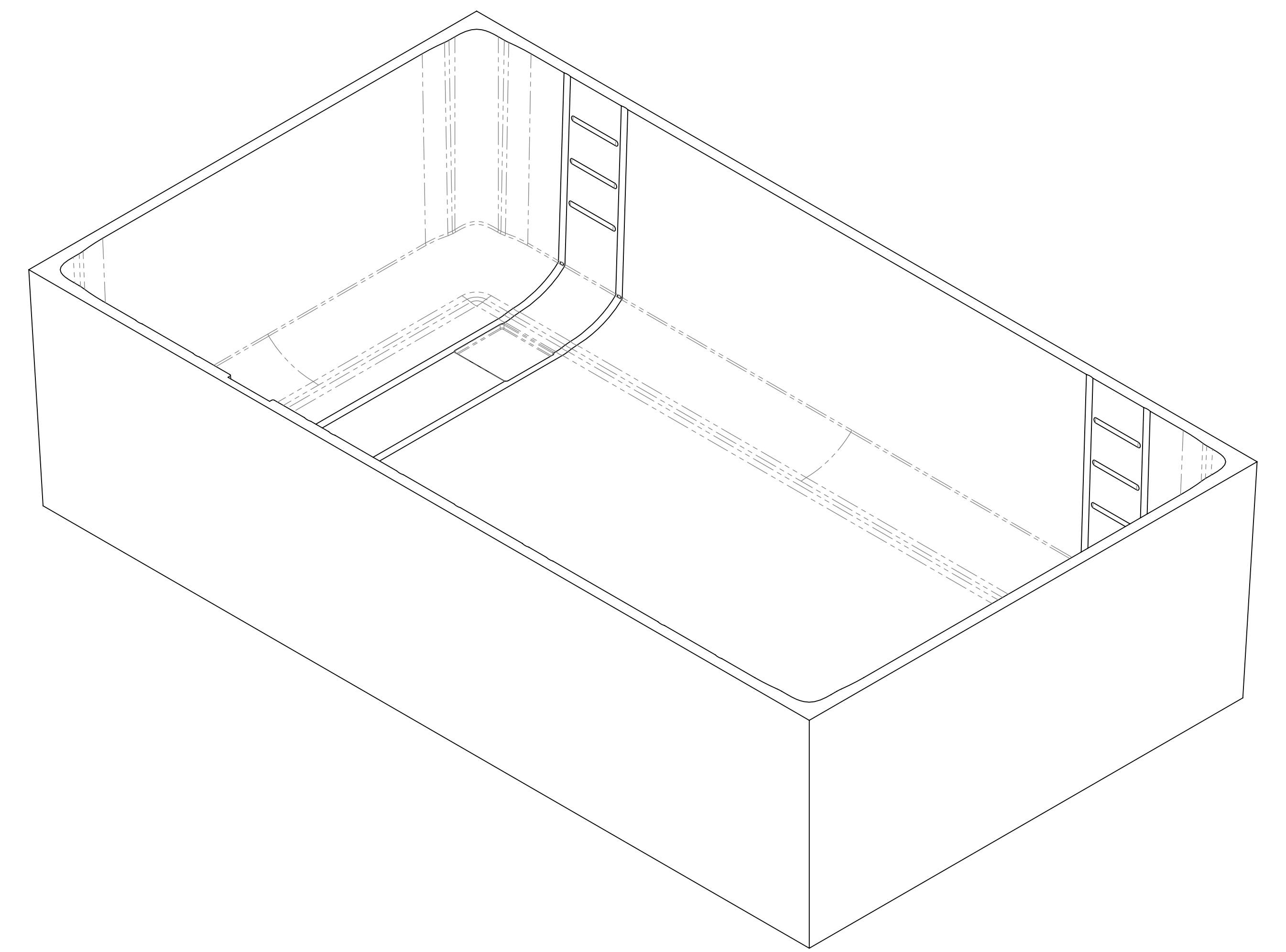
1555 TOP TUB DRAWING INTERIOR DIMENSION

4: CASE CORNERS ARE NOT TRUE RADIUS.
 3: FOR DETAILED INTERNAL DIMENSIONS SEE STEP OR IGES FILE.
 2: PRODUCT MUST BE REACH AND RoHS COMPLIANT.
 1: MATERIAL: POLYPROPYLENE.
 NOTE: UNLESS OTHERWISE SPECIFIED.

TOLERANCE BLOCK		APPROVALS DATE		PELICAN PRODUCTS INC.	
INCHES	.XX <10.00 ±.03 ≥10.00 ±.003 PER INCH	DATE	XX XXXX	23215 EARLY AVE., TORRANCE, CA 90503 (310) 326-4700	
	.XXX ±.005	CHECKED		TITLE	
mm	X ≤254 ±0.75 ≥254 ±0.003 PER mm	APPROVED		1555 TOP TUB DRAWING	
ANGLES	∠ ±.25°	DO NOT SCALE DRAWING		SCALE	DRAWING NO.
				1:2	REV A
				SHEET 2 OF 3	



SECTION F-F



SECTION E-E

1555 BOTTOM TUB DRAWING INTERIOR DIMENSION

4: CASE CORNERS ARE NOT TRUE RADIUS.

3: FOR DETAILED INTERNAL DIMENSIONS SEE STEP OR IGES FILE.

2: PRODUCT MUST BE REACH AND RoHS COMPLIANT.

1: MATERIAL: POLYPROPYLENE.

NOTE: UNLESS OTHERWISE SPECIFIED.

TOLERANCE BLOCK		APPROVALS DATE		PELICAN PRODUCTS INC.	
INCHES	.XX ±.003 PER INCH	DATE	XXXX	23215 EARLY AVE, TORRANCE, CA 90503 (310) 326-4700	
INCHES	.XXX ±.005	DATE		TITLE	
mm	X ±.075 ±.103 PER mm	DATE		1555 BOTTOM TUB DRAWING	
mm	.X ±.013	DATE		SIZE	SCALE
ANGLES	±.25°	DATE		E	1:2
This Drawing contains information proprietary to Pelican Products Inc. Any reproduction, disclosure or use of this drawing requires written permission of Pelican Products Inc.				REV	A
DO NOT SCALE DRAWING				SHEET	3 OF 3