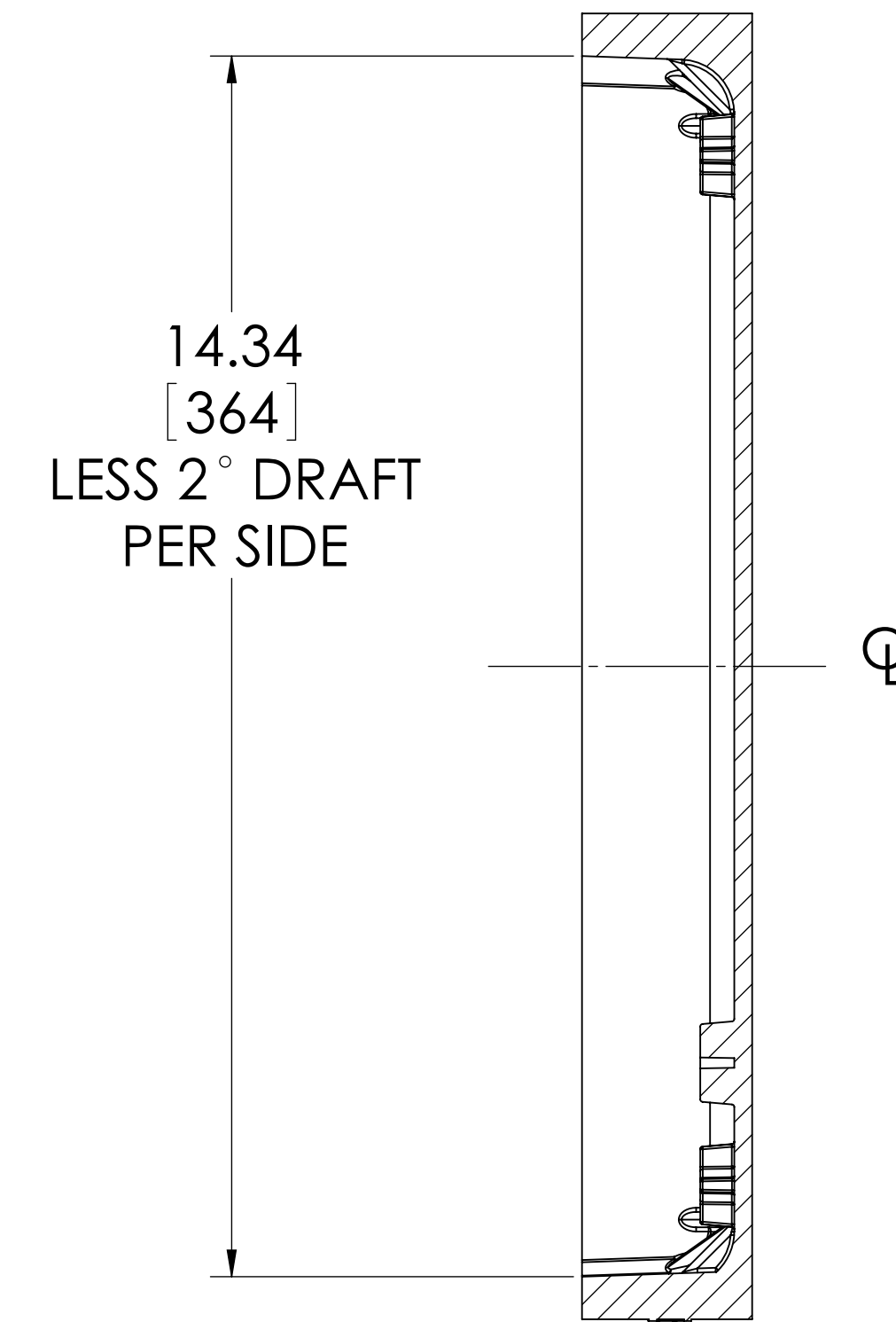
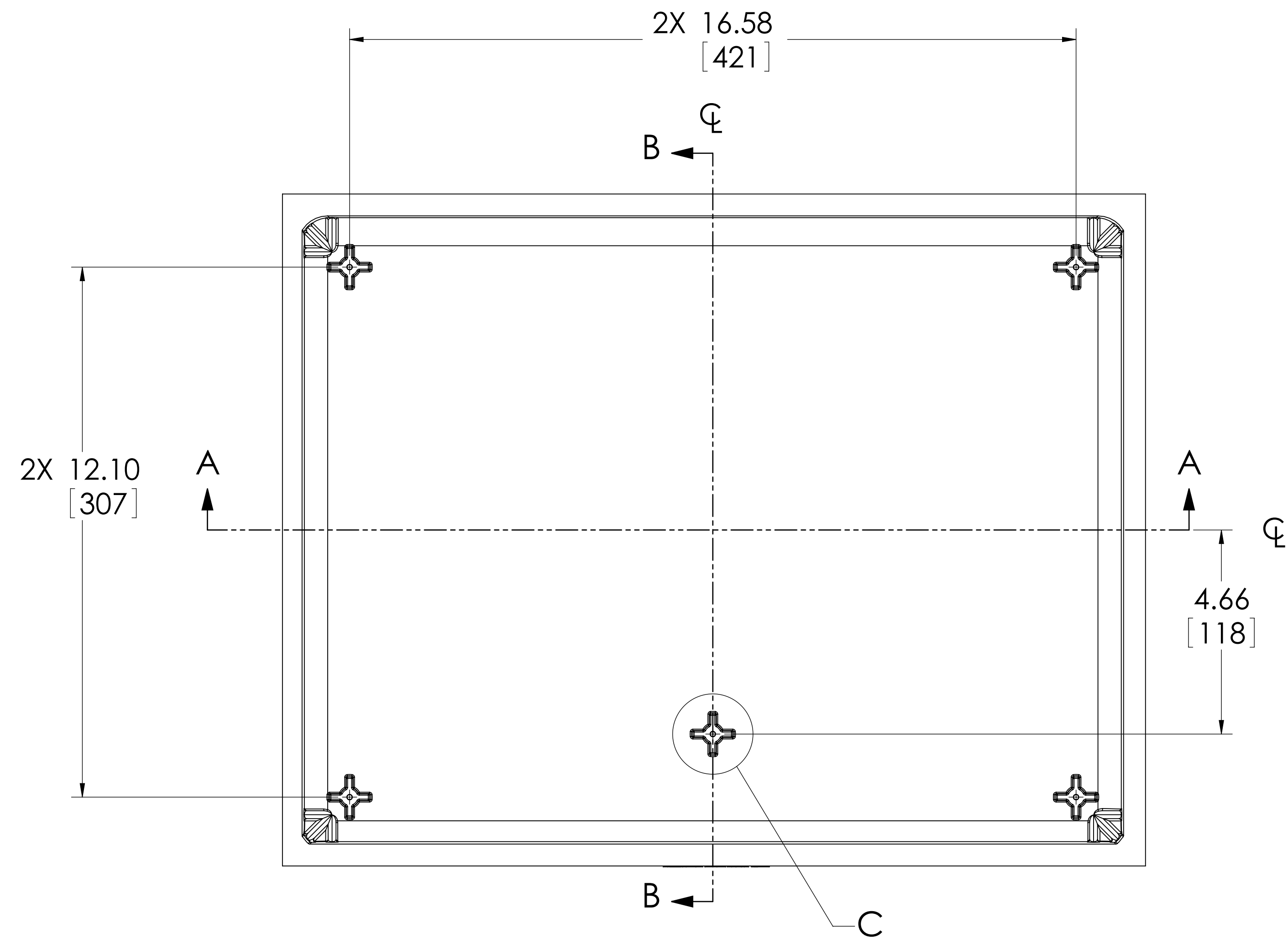
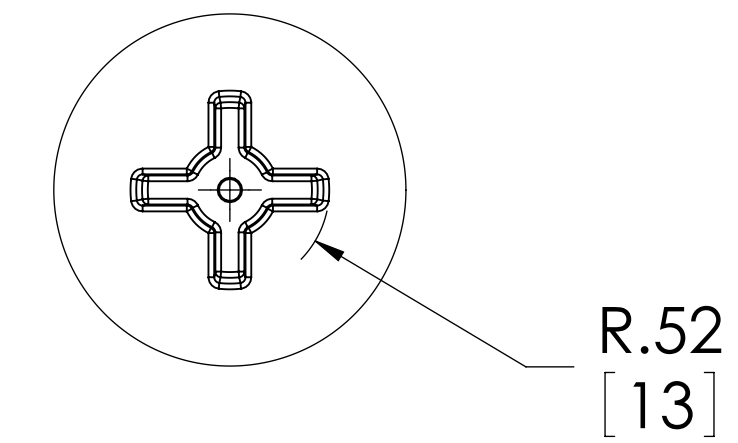


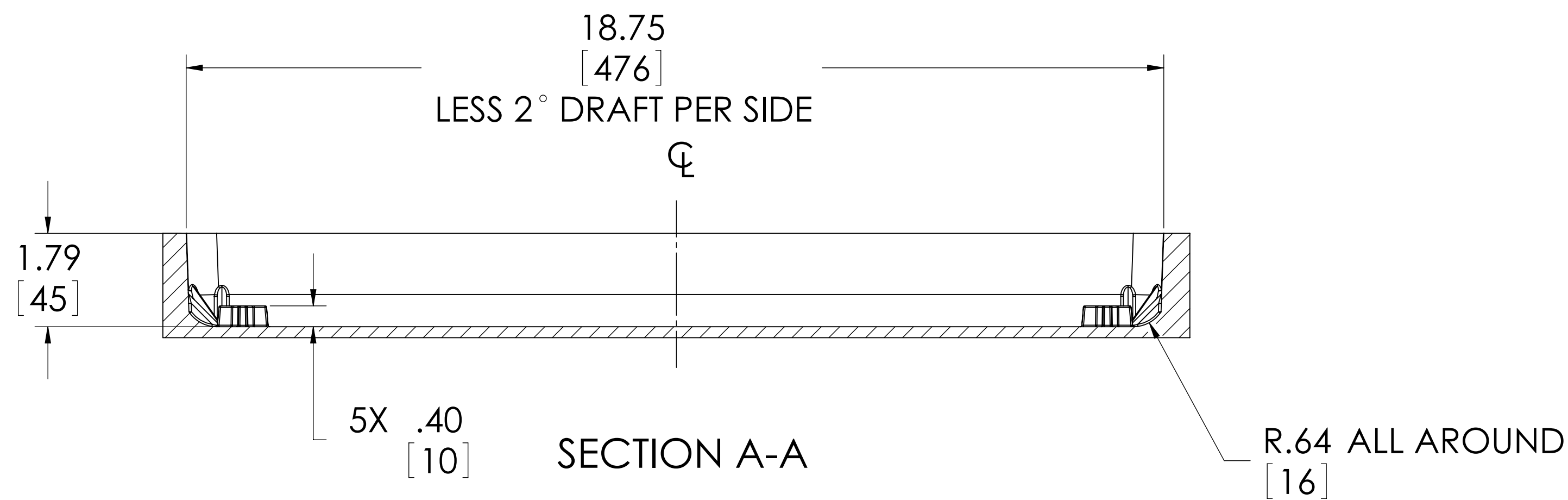
REVISIONS			
REV.	DESCRIPTION	DATE	APPROVED
A		8/1/2008	



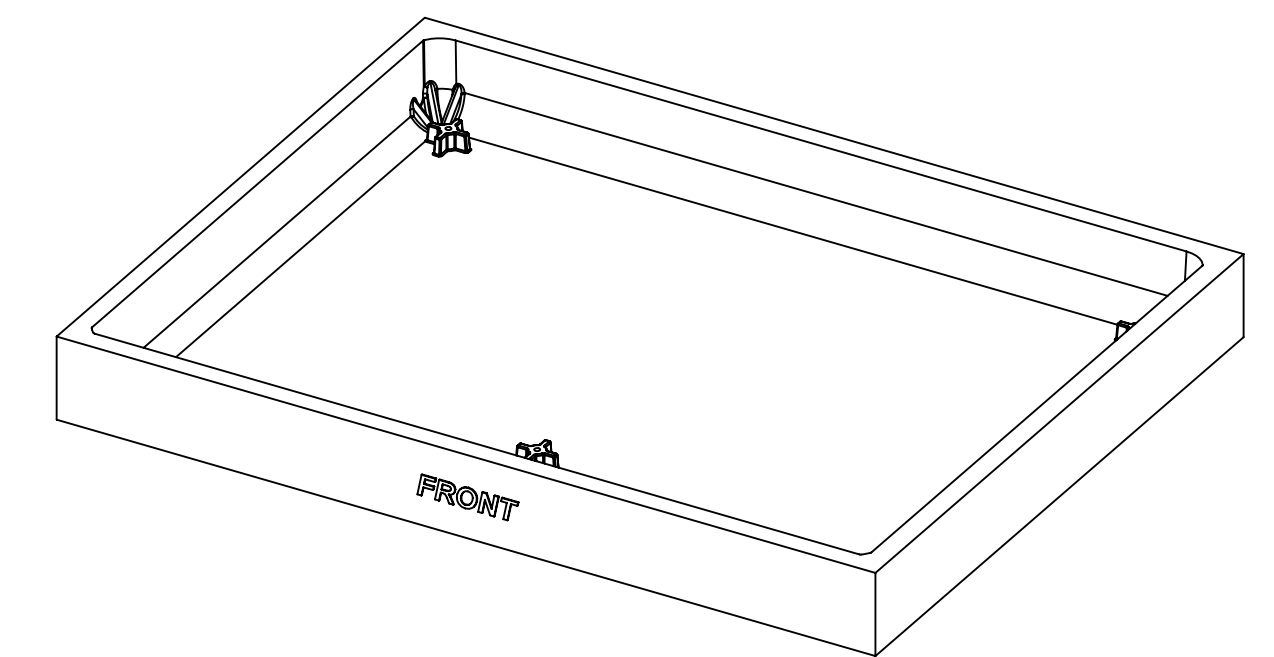
SECTION B-B



DETAIL C
SCALE 1 : 1
(5 PLACES)



SECTION A-A



ALL DIMENSIONS ARE TO INTERNAL GEOMETRY OF CASE.
NOTES: UNLESS OTHERWISE SPECIFIED.



DESIGN	CC	DATE	8/01/08	PELICAN PRODUCTS INC. 23215 EARLY AVE., TORRANCE, CA 90505 (310) 326-4700	
CHECKED		TITLE	1550 CASE TOP INTERNAL GEOMETRY		
APPROVED		SIZE	D	SCALE	1:2
		DRAWING NO.	1552-931T-CLR-OEM		REV
		DO NOT SCALE DRAWING		SHEET	1 OF 1