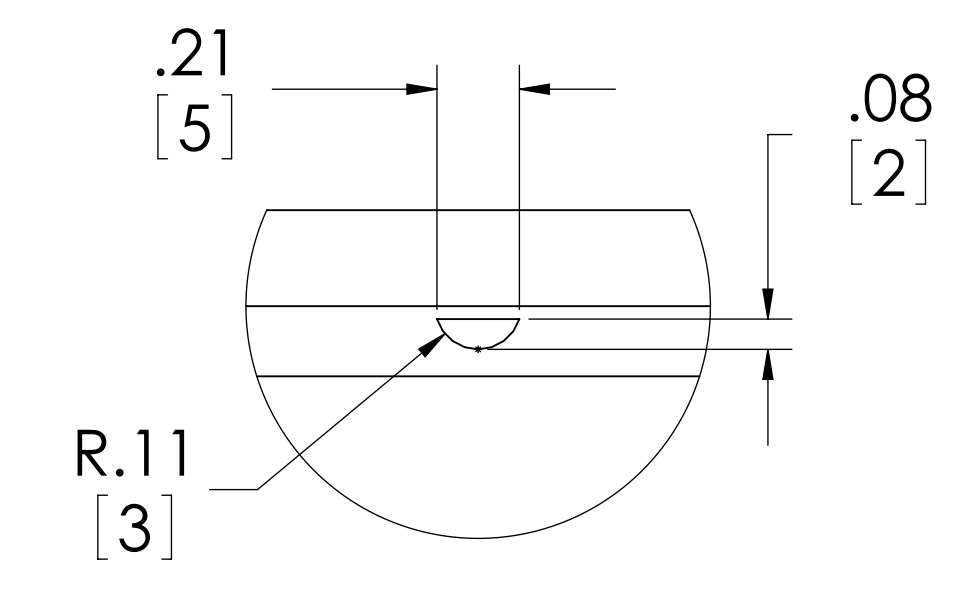
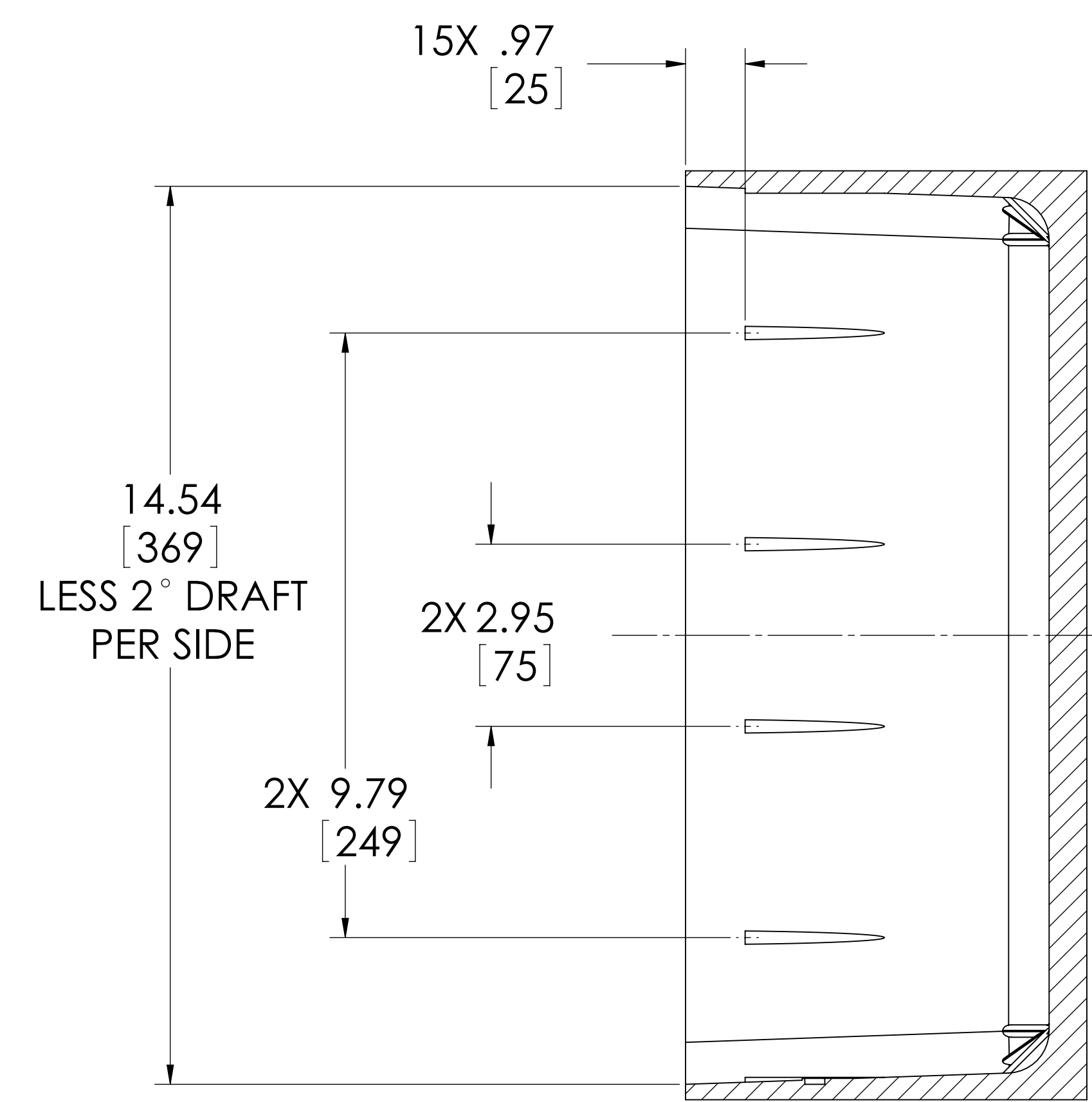
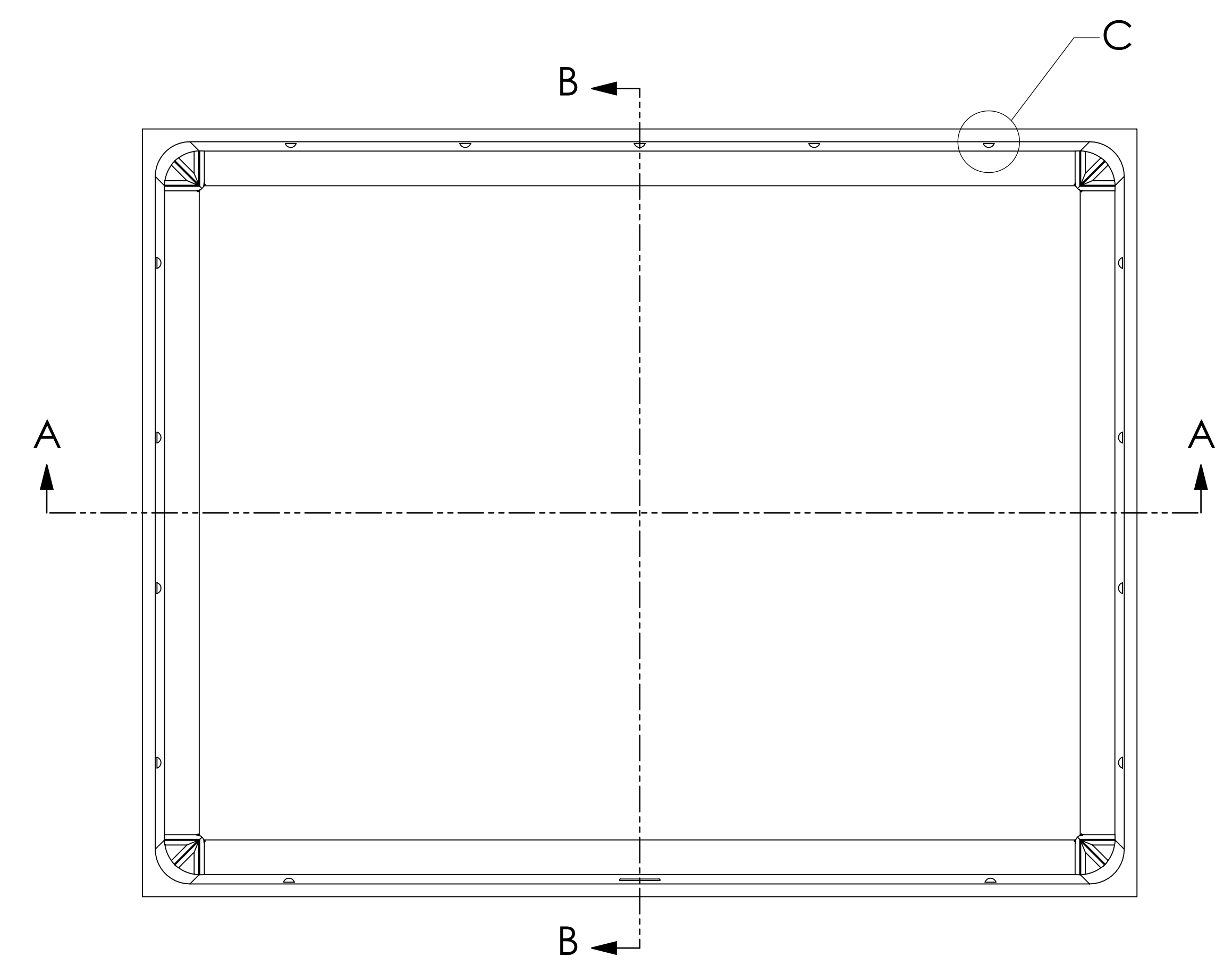
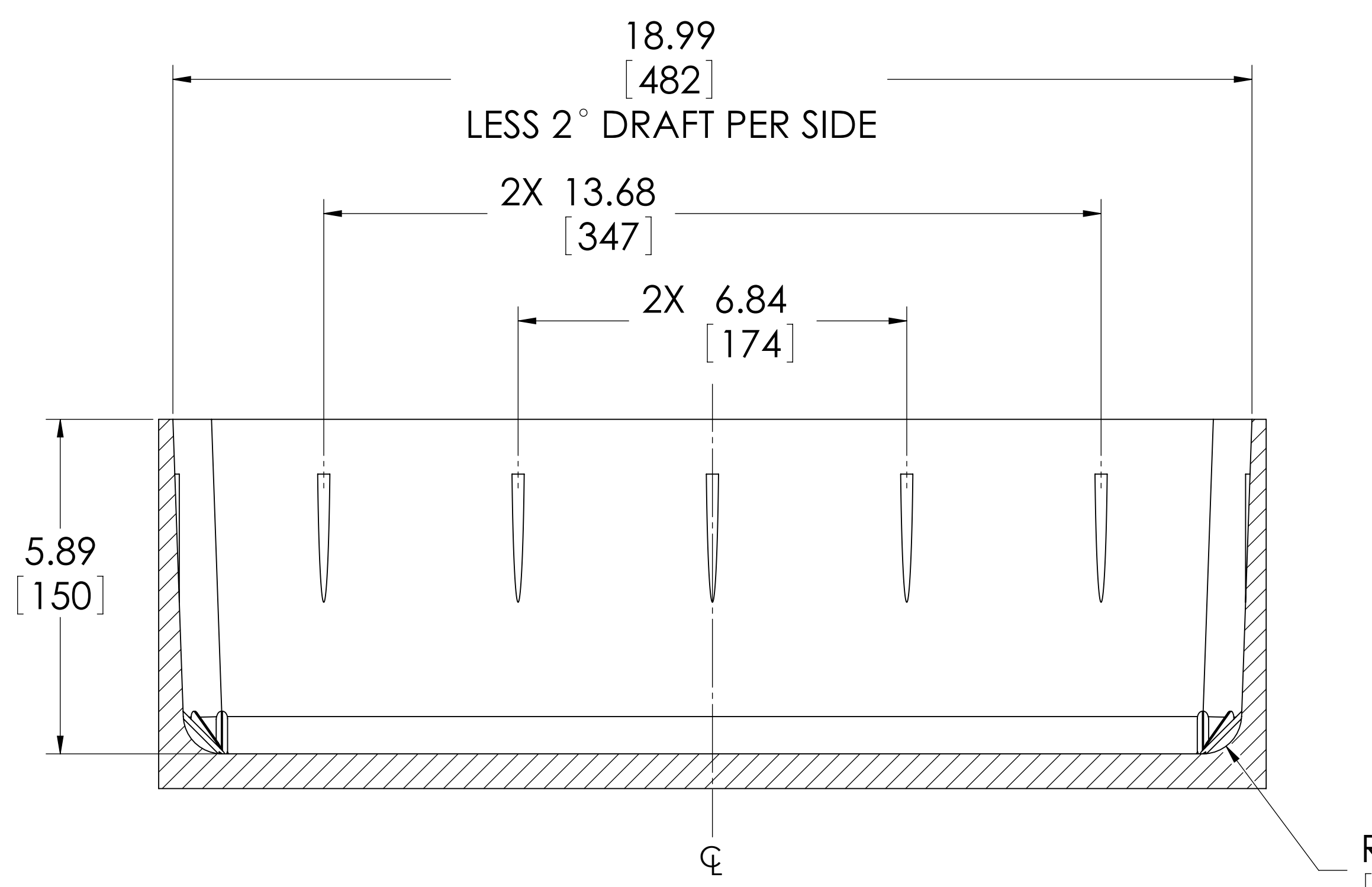


REV.	DESCRIPTION	DATE	APPROVED
A		7/31/2008	

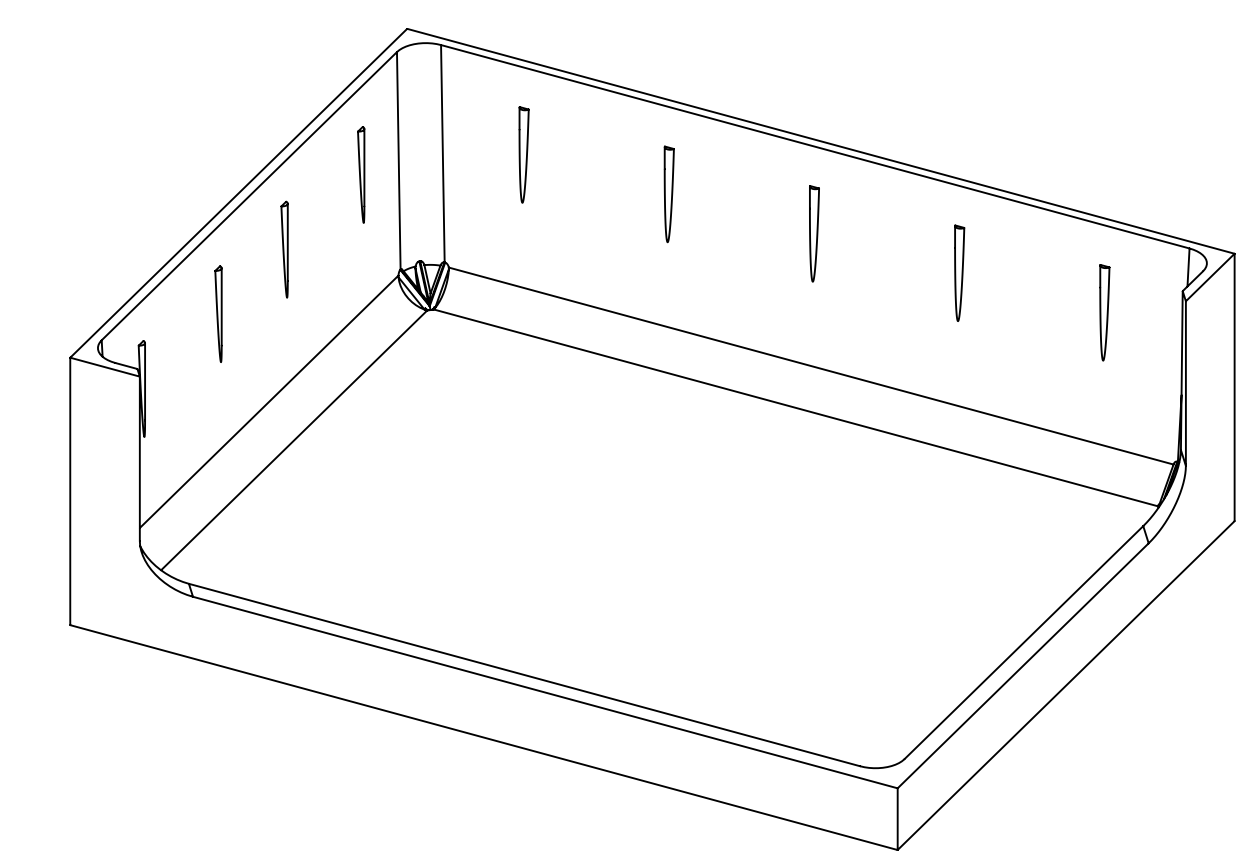


DETAIL C
SCALE 2 : 1
(15 PLACES)

SECTION B-B



SECTION A-A



ALL DIMENSIONS ARE TO INTERNAL GEOMTRY OF CASE.
NOTES: UNLESS OTHERWISE SPECIFIED.



APPROVALS	DATE	PELICAN PRODUCTS INC.	
DESIGN CC	7/31/08	23215 EARLY AVE., TORRANCE, CA 90505 (310) 326-4700	
CHECKED		TITLE	
APPROVED		1550 CASE BOTTOM, INTERNAL GEOMETRY	
SIZE	SCALE	DRAWING NO.	REV
D	1:2	1552-931B-CLR-OEM	A
DO NOT SCALE DRAWING		SHEET 1 OF 1	