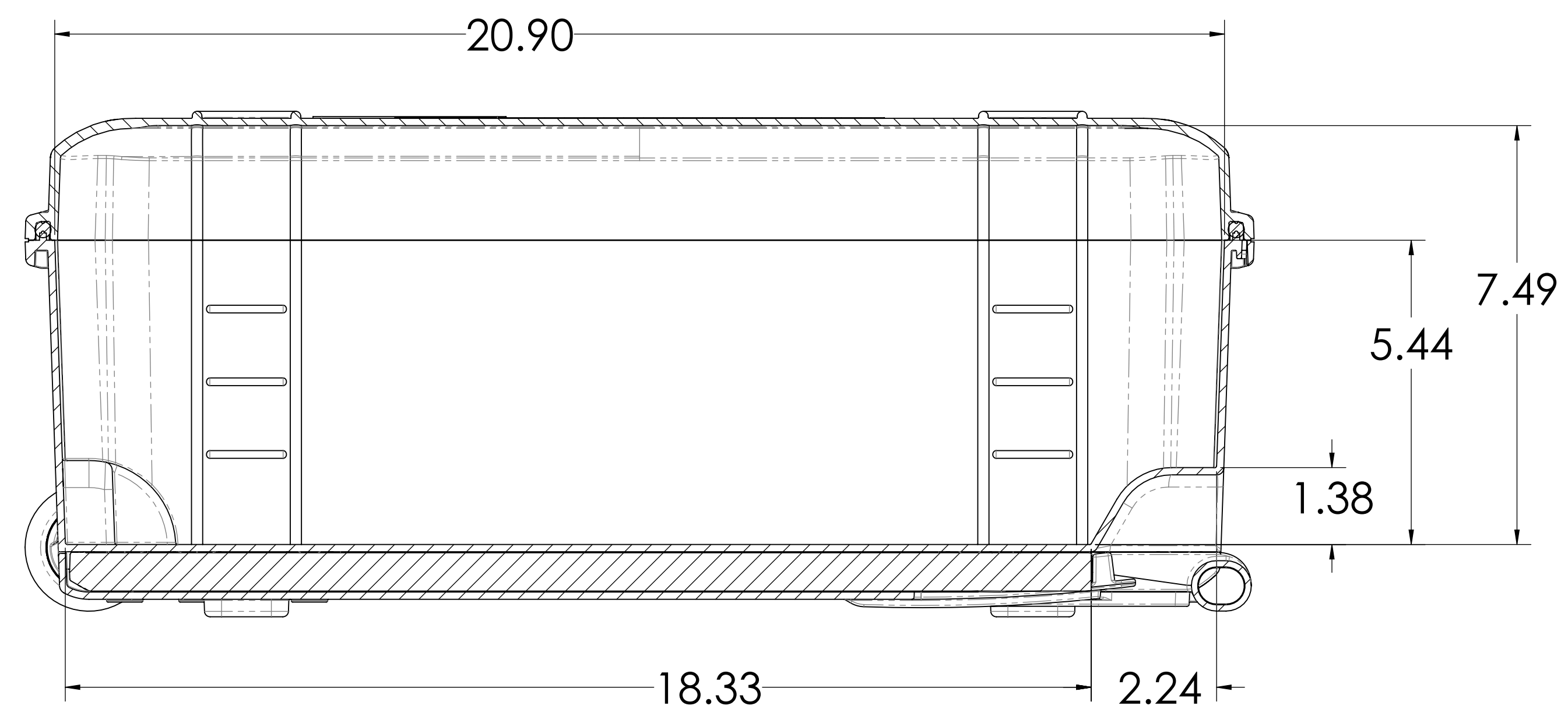
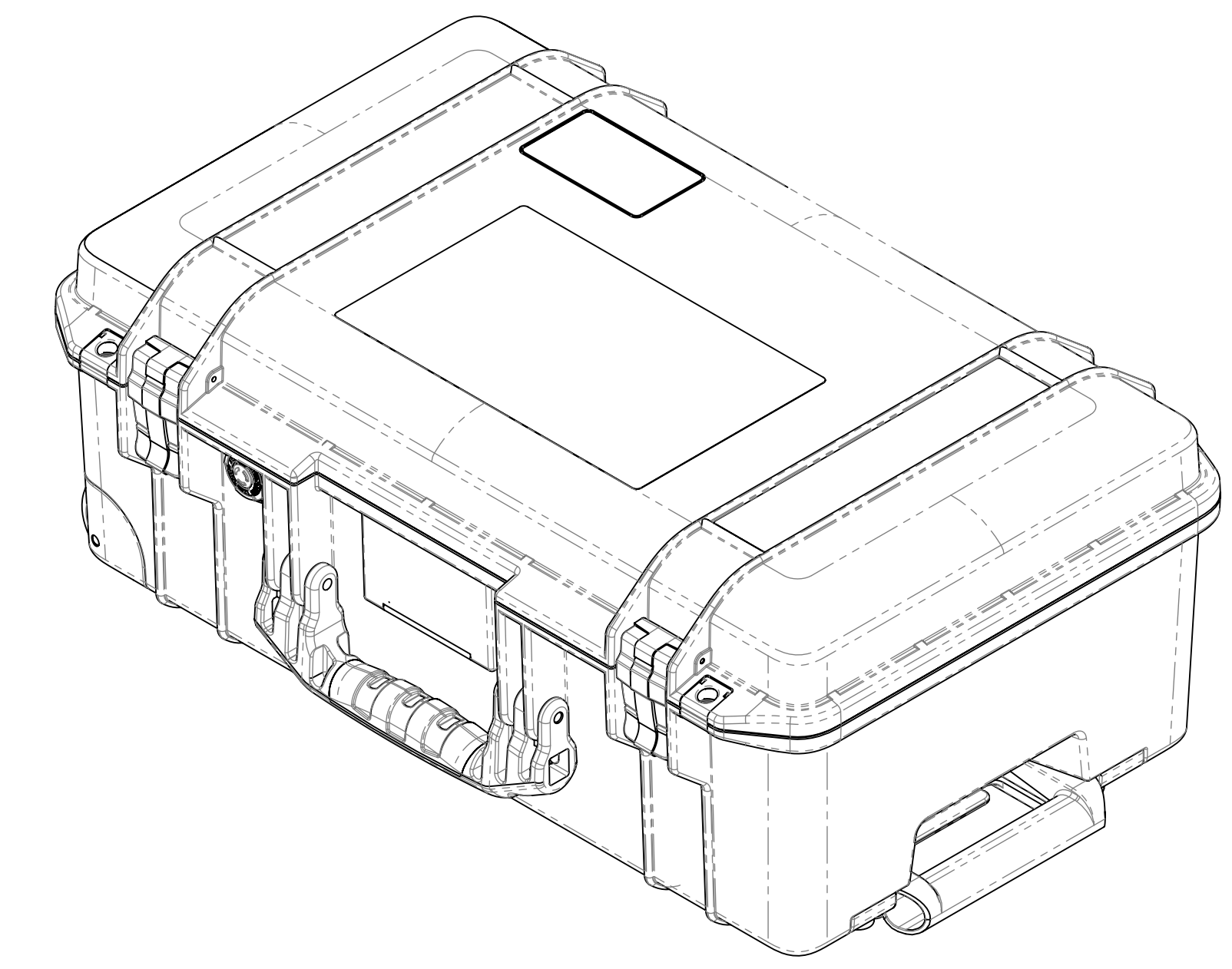
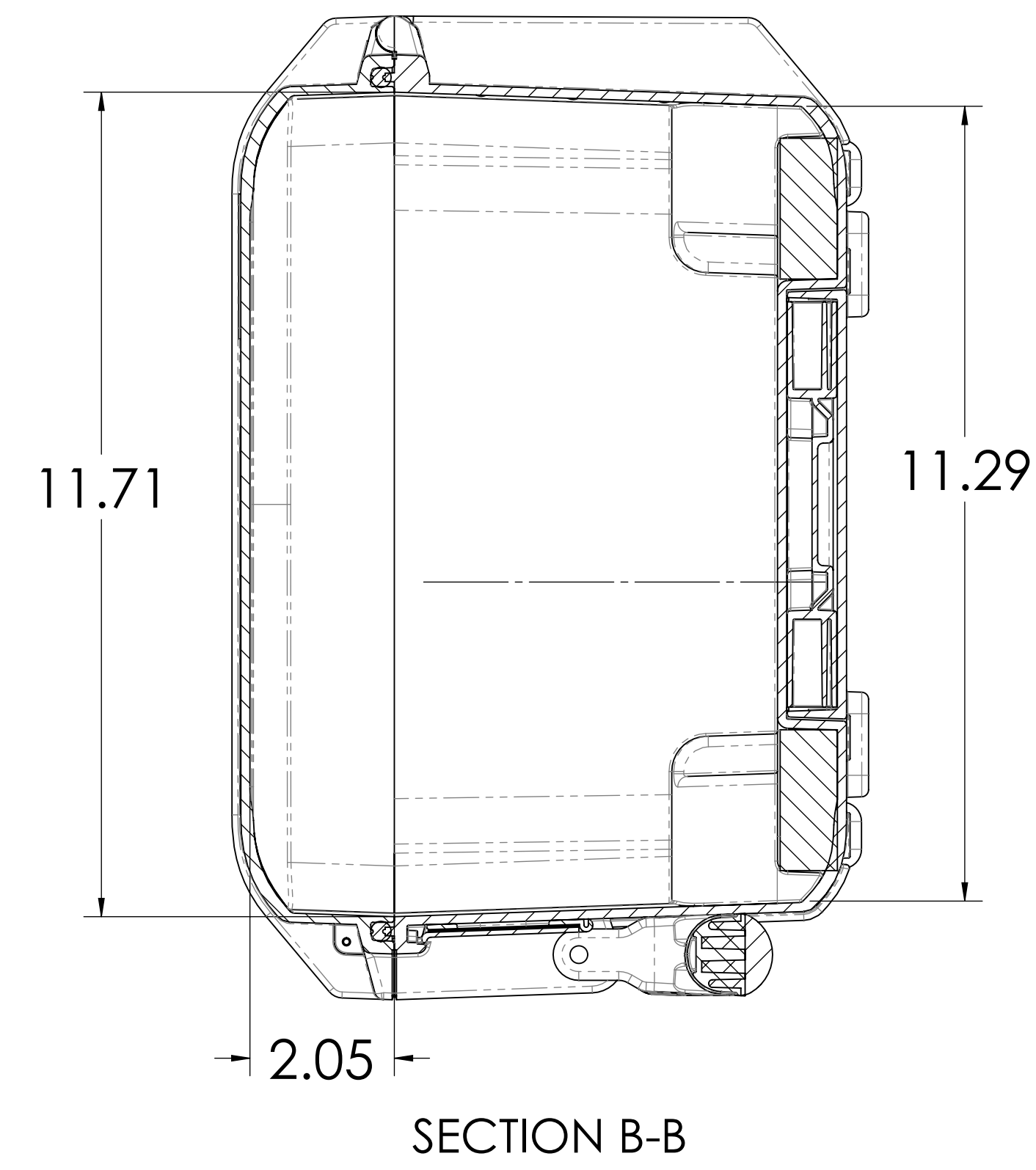
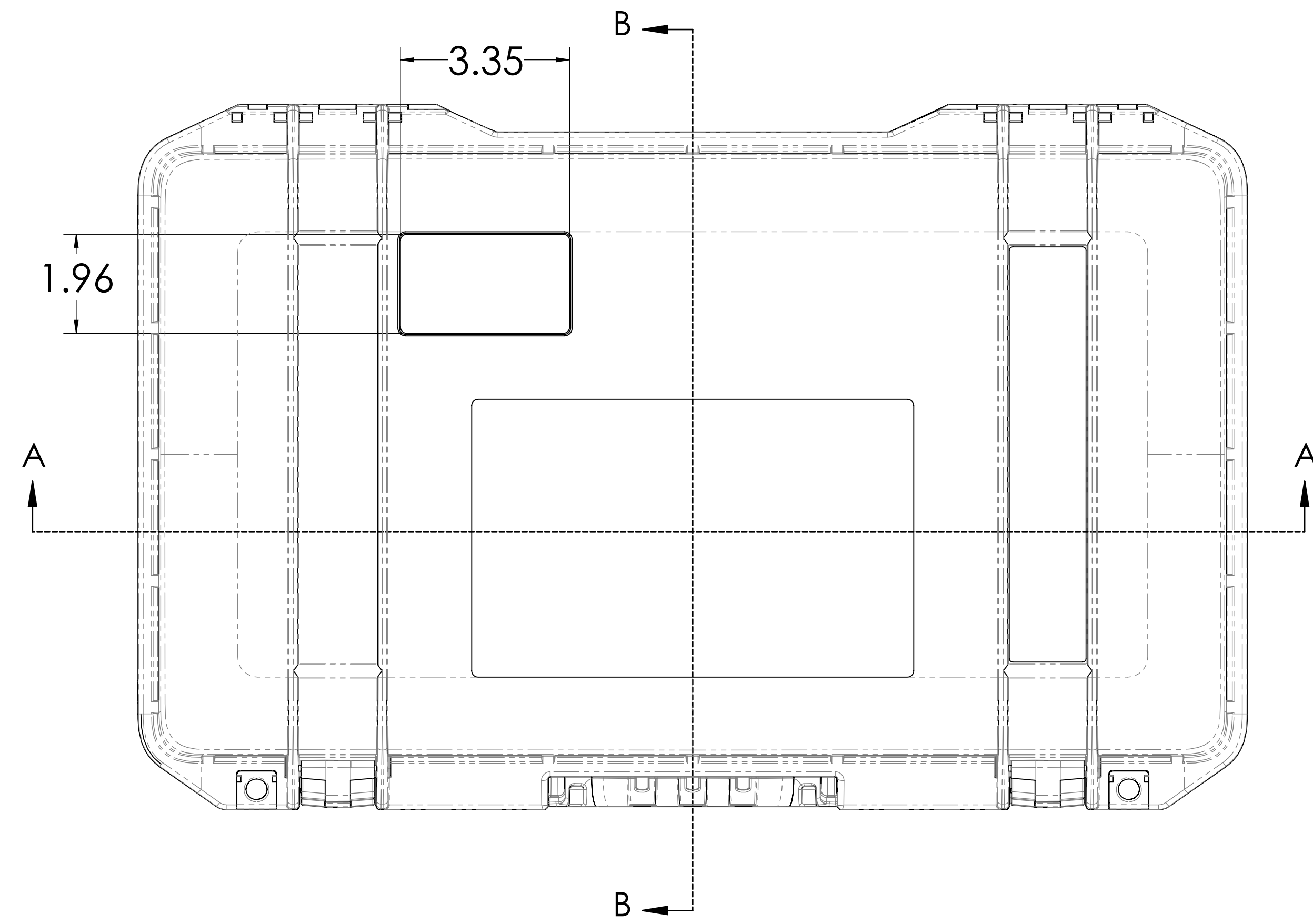
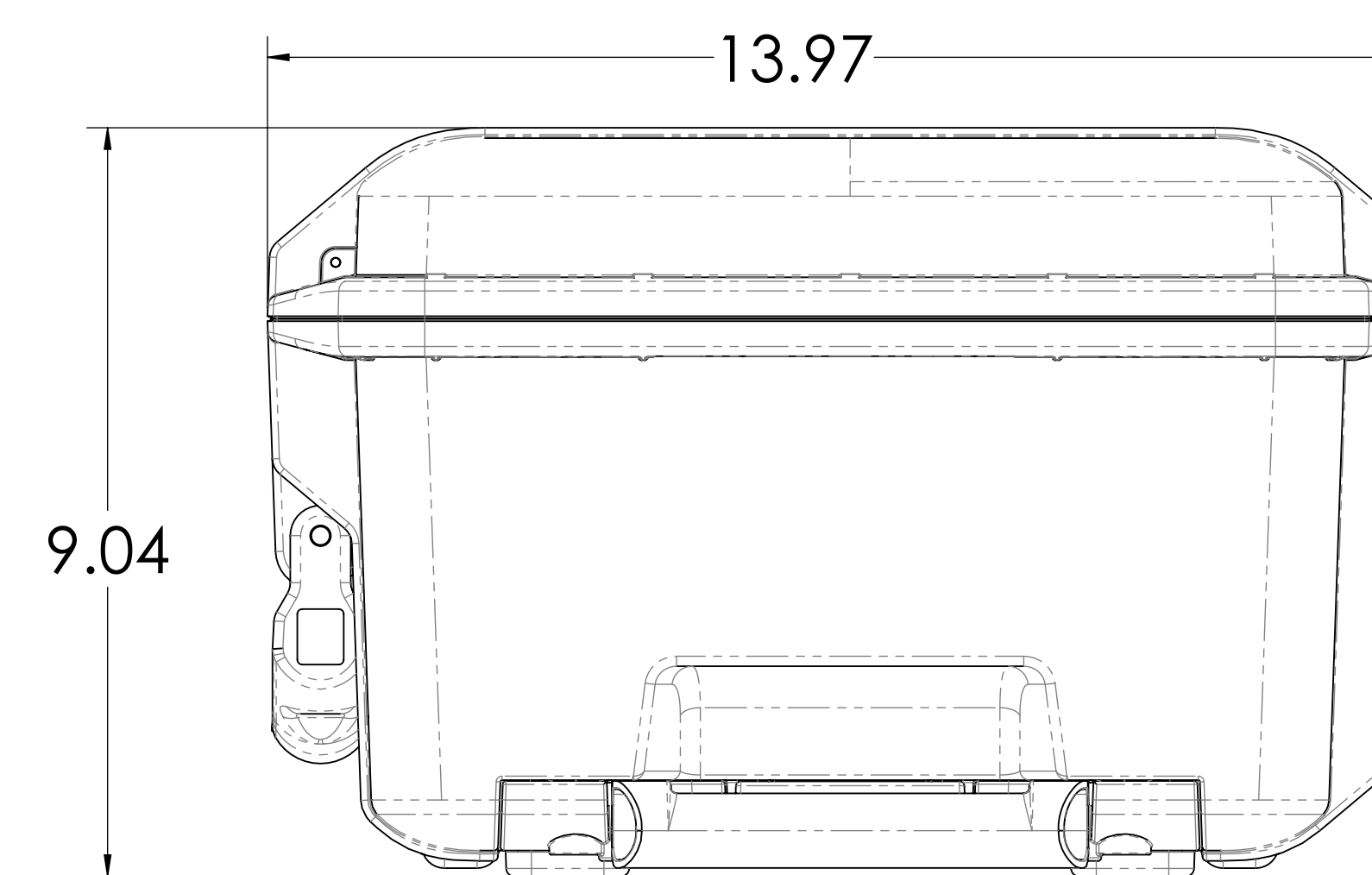
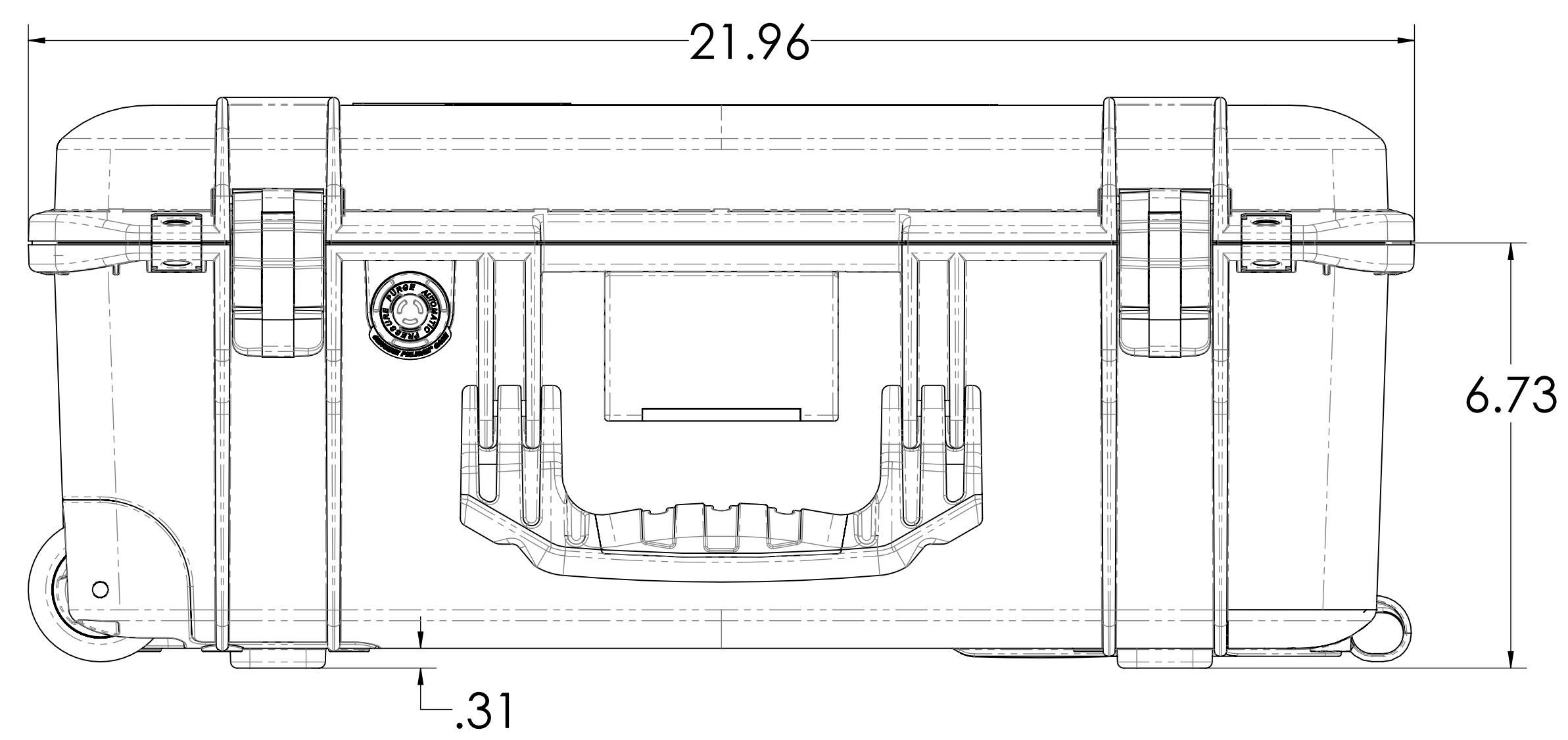


REVISIONS				
REV.	DESCRIPTION	DATE	DRAWN	APPROVED
A	DRAWING RELEASE	4/18/16	MH	MG



SECTION A-A



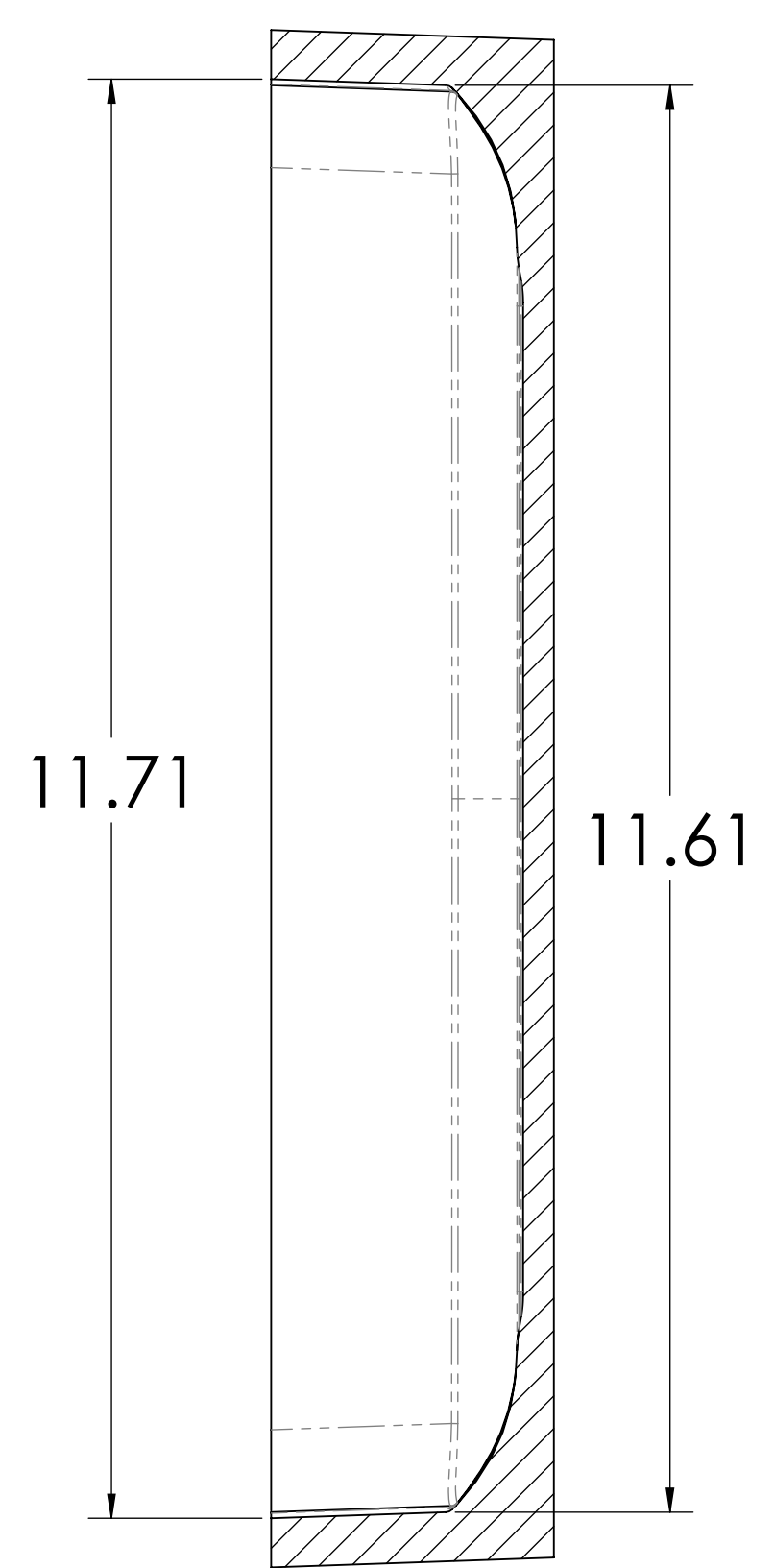
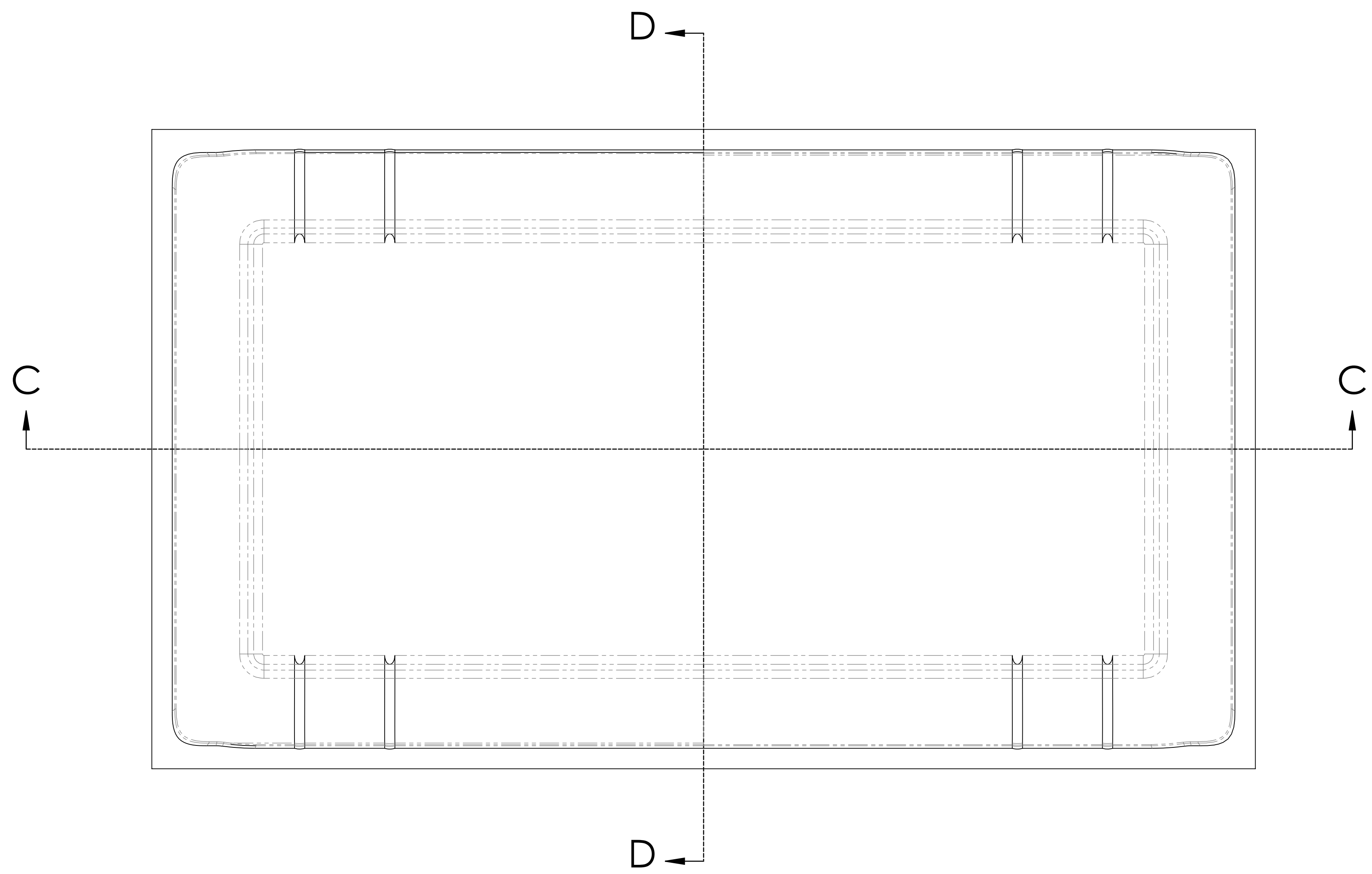
- 4: CASE CORNERS ARE NOT TRUE RADIUS.
 - 3: FOR DETAILED INTERNAL DIMENSIONS SEE STEP OR IGES FILE.
 - 2: PRODUCT MUST BE REACH AND RoHS COMPLIANT.
 - 1- MATERIAL: POLYPROPYLENE.
- NOTE: UNLESS OTHERWISE SPECIFIED.

TOLERANCE BLOCK		APPROVALS		DATE		PELICAN PRODUCTS INC.	
INCHES	.XX ±.000	<10.00 ±.03	DATE	2016	DATE	2016	33215 EARLY AVE., TORRANCE, CA 90503 (310) 326-4700
	.XXX ±.005	>10.00 ±.003 PER INCH	DATE		DATE		
mm	X ±.254	<254 ±0.75	DATE		DATE		
	.X ±0.13	>254 ±0.003 PER mm	DATE		DATE		
ANGLES	±.25°		DATE		DATE		

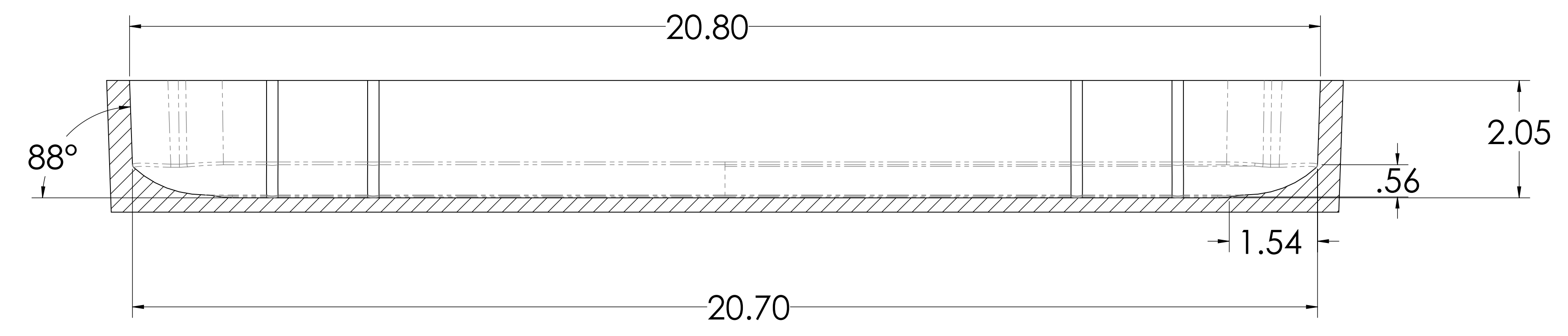


APPROVED	DATE	TITLE	SCALE	DRAWING NO.	REV.
		1535 CASE ASSEMBLY INTERIOR AND EXTERIOR DIMENSION	1:2	015350-0000-CLR	A

DO NOT SCALE DRAWING SHEET 1 OF 3



SECTION D-D
SCALE 1 : 1.5

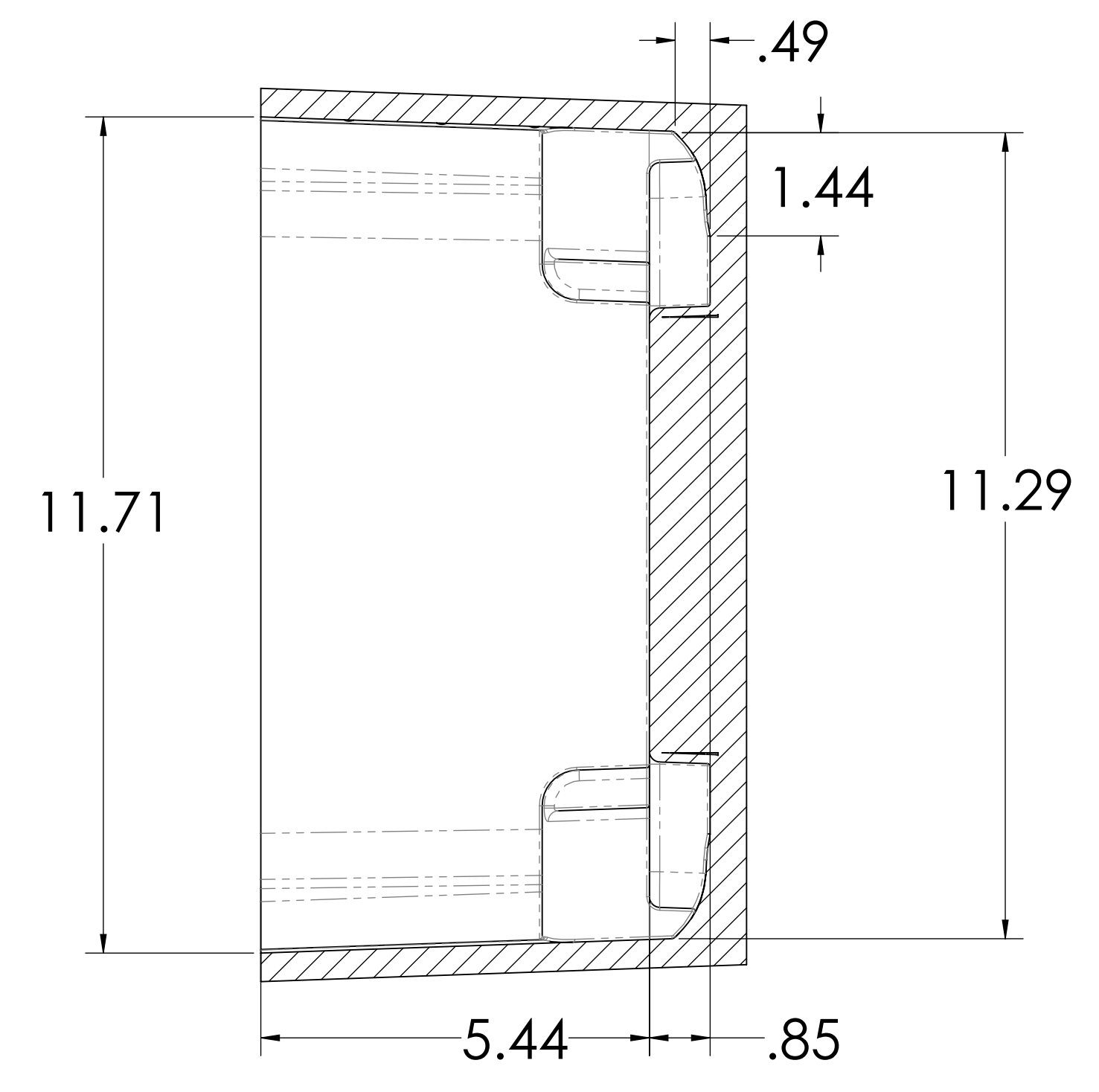
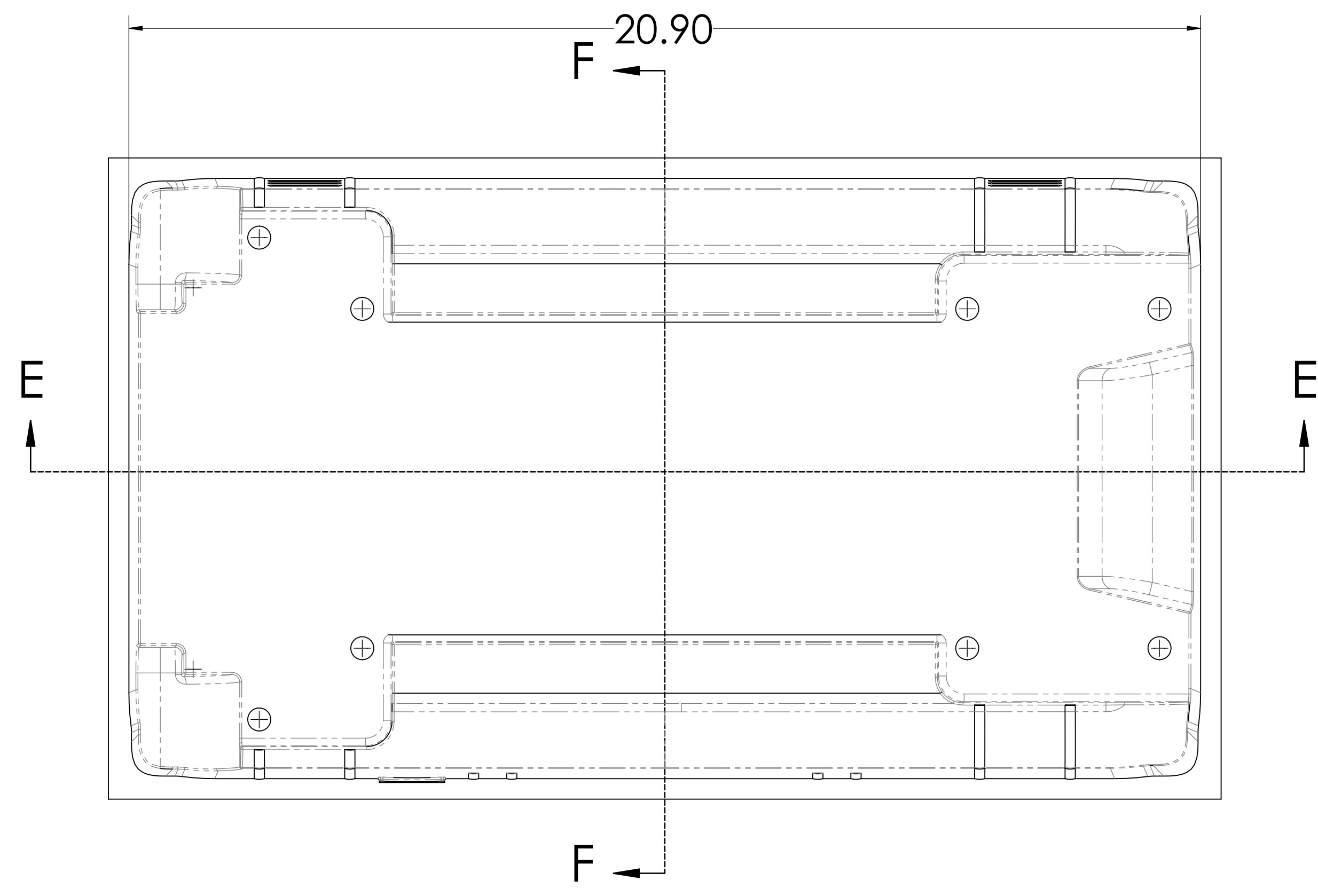


SECTION C-C
SCALE 1 : 1.5

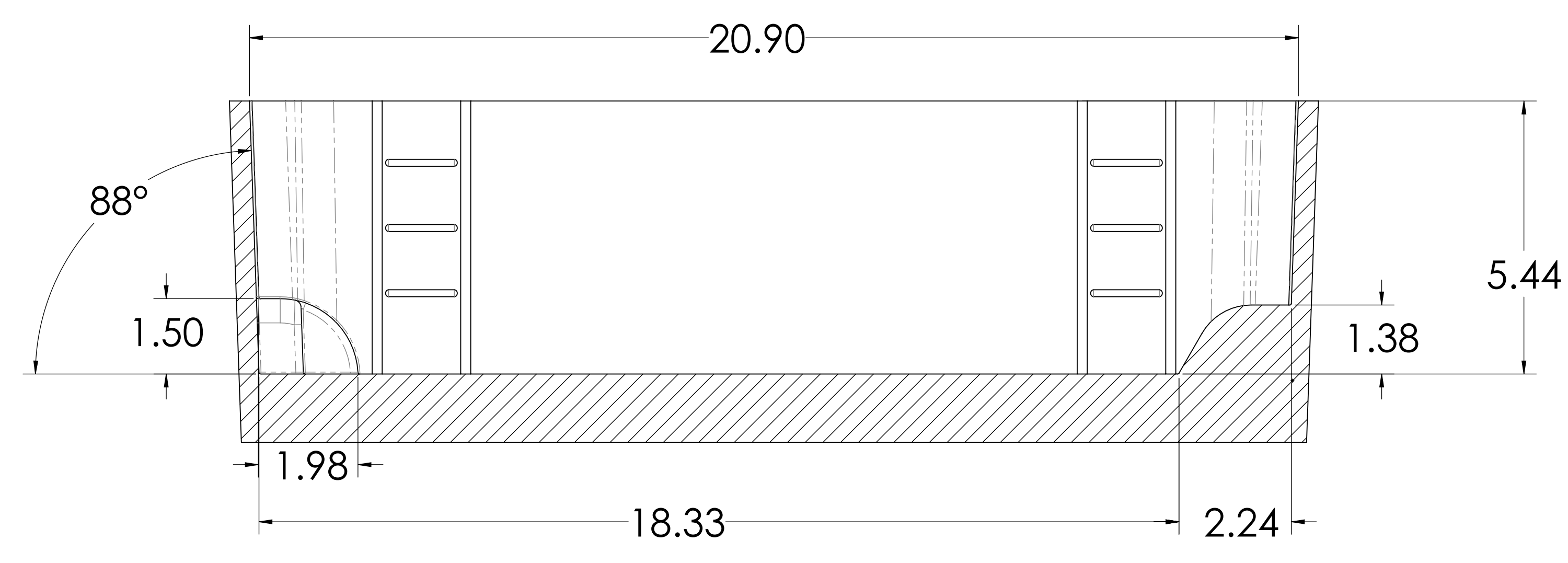
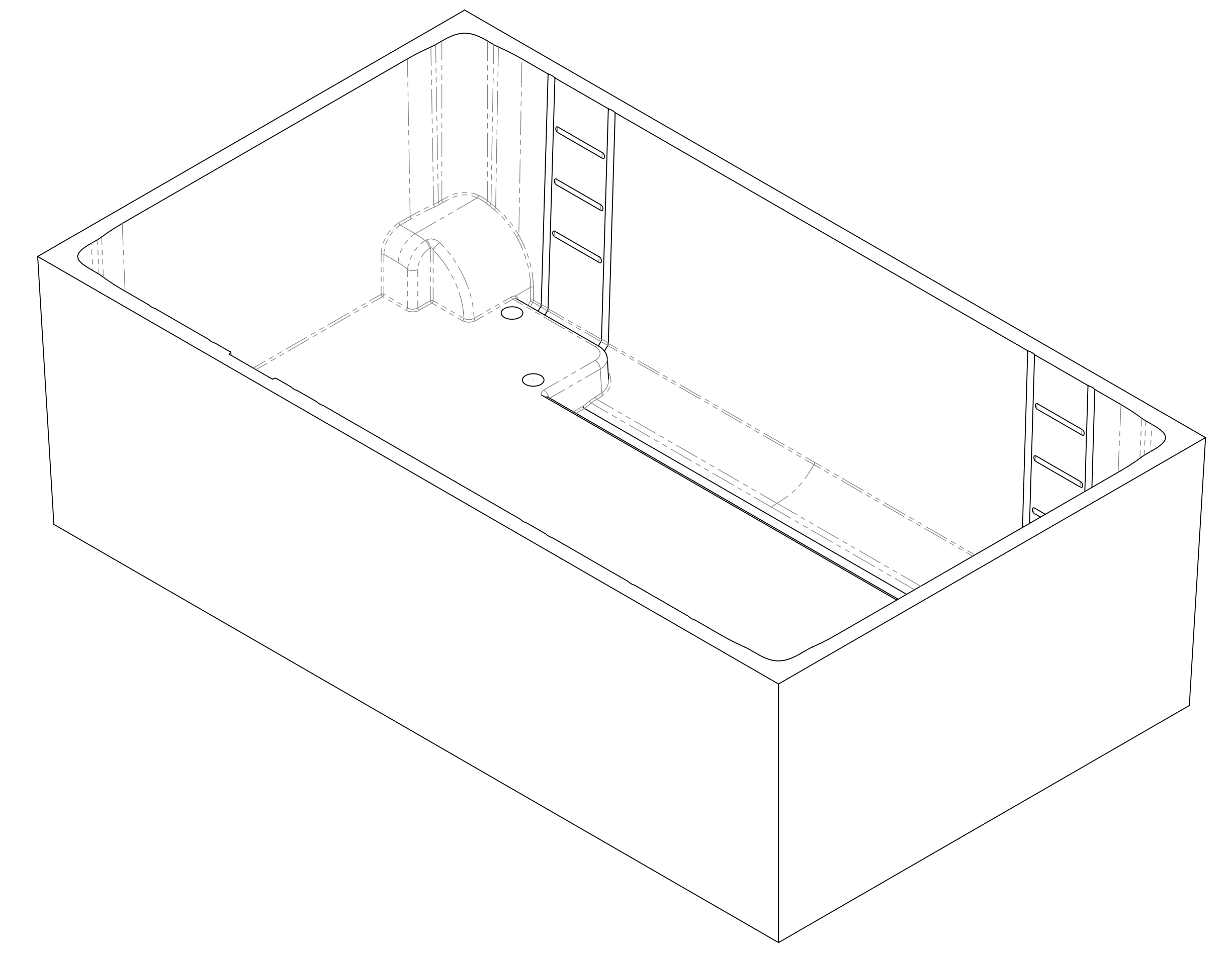
1535 TOP TUB DRAWING INTERIOR DIMENSION

- 4: CASE CORNERS ARE NOT TRUE RADIUS.
 - 3: FOR DETAILED INTERNAL DIMENSIONS SEE STEP OR IGES FILE.
 - 2: PRODUCT MUST BE REACH AND ROHS COMPLIANT.
 - 1- MATERIAL: POLYPROPYLENE.
- NOTE: UNLESS OTHERWISE SPECIFIED.

TOLERANCE BLOCK		APPROVALS DATE		PELICAN PRODUCTS INC.	
INCHES	.XX	<10.00	±.03	DATE	XXXX
	.XXX	≥10.00	±.003 PER INCH	CHECKED	
				APPROVED	
mm	X	<254	±0.75	<small>This Drawing contains information proprietary to Pelican Products Inc. Any reproduction, disclosure or use of this drawing requires written the permission of Pelican Products Inc.</small>	
	.X	≥254	±0.003 PER mm		
ANGLES			±.25°	SIZE	E
				SCALE	1:2
				DRAWING NO.	A
				DO NOT SCALE DRAWING	SHEET 2 OF 3



SECTION F-F

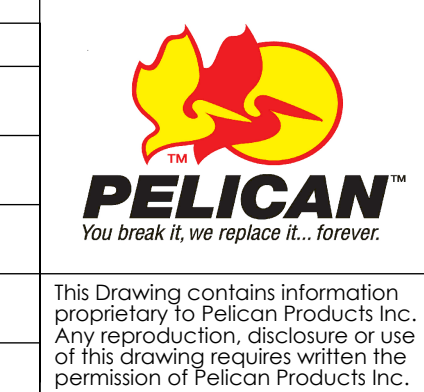


SECTION E-E

1535 BOTTOM TUB DRAWING INTERIOR DIMENSION

- 4: CASE CORNERS ARE NOT TRUE RADIUS.
 - 3: FOR DETAILED INTERNAL DIMENSIONS SEE STEP OR IGES FILE.
 - 2: PRODUCT MUST BE REACH AND RoHS COMPLIANT.
 - 1- MATERIAL: POLYPROPYLENE.
- NOTE: UNLESS OTHERWISE SPECIFIED.

TOLERANCE BLOCK	
INCHES	.XX $\pm 0.00 \pm .03$ >10.00 ± 0.03 PER INCH
INCHES	.XXX ± 0.05
mm	X $\pm .254 \pm 0.75$ >254 ± 0.003 PER mm
mm	.X ± 0.13
ANGLES	$\pm .25^\circ$



APPROVALS	DATE	PELICAN PRODUCTS INC.
DATE	XXXX	23215 EARLY AVE., TORRANCE, CA 90503 (310) 326-4700
TITLE	1535 BOTTOM TUB DRAWING	
SCALE	1:2	DRAWING NO.
SIZE	E	REV. A
DO NOT SCALE DRAWING		SHEET 3 OF 3