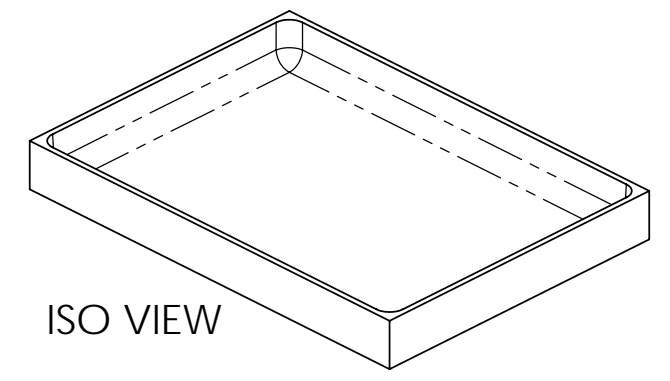
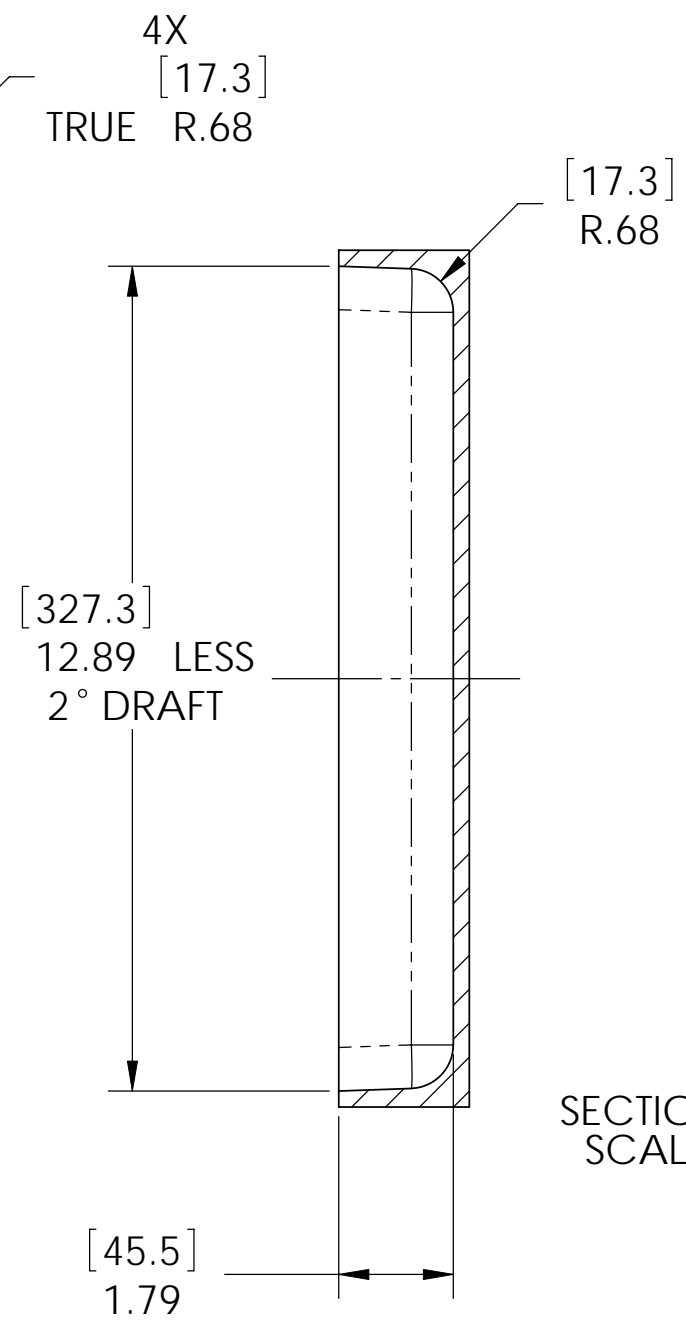
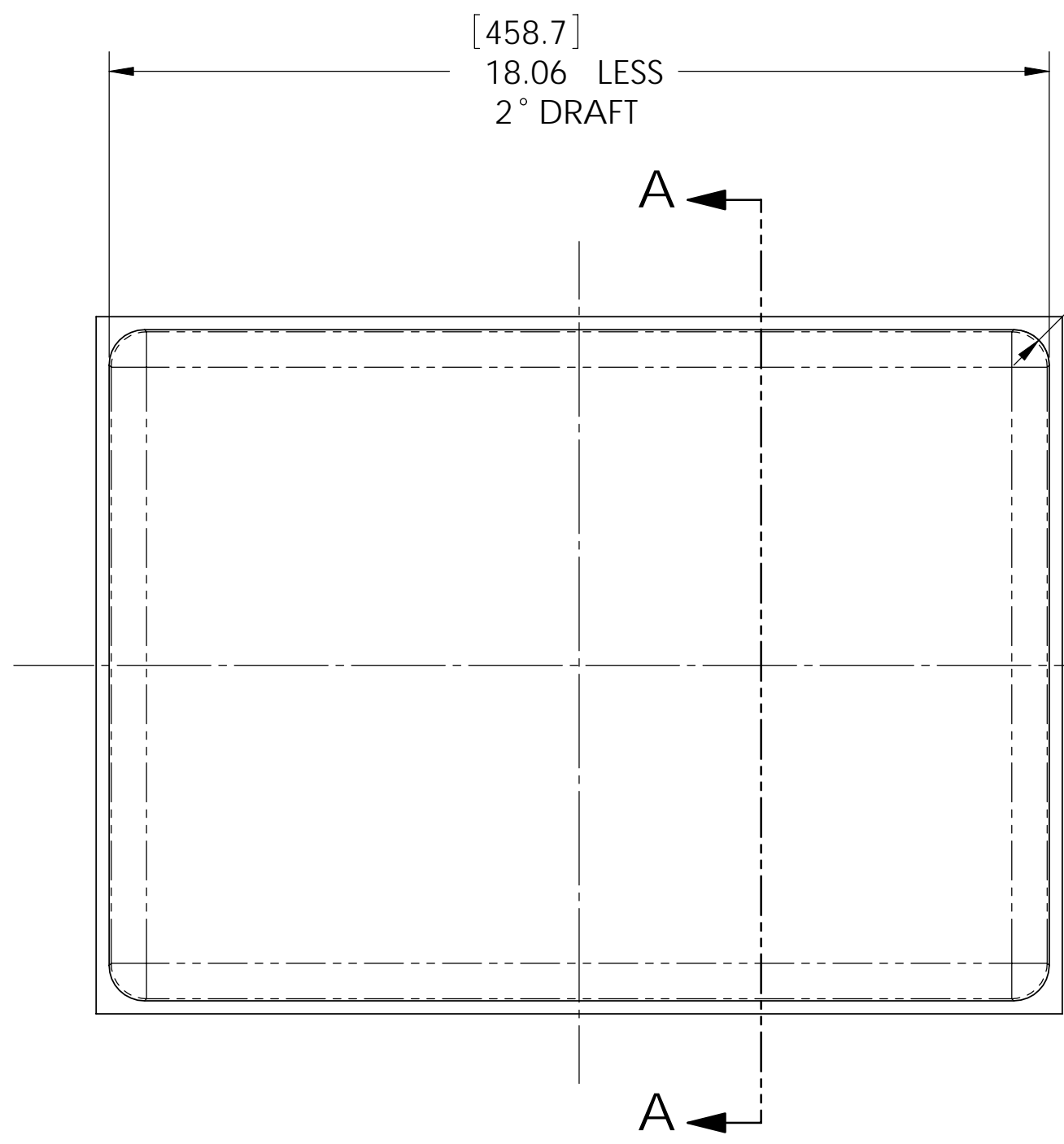


		1520			
REVISIONS					
REV.	DESCRIPTION	DATE	DRFTR	APPR'VD	



SECTION A-A
SCALE 1 : 3

1. ALL DIMENSIONS ARE TO INTERNAL GEOMETRY OF CASE.
NOTES: UNLESS OTHERWISE SPECIFIED.



UNSPECIFIED TOLERANCES		APPROVALS DATE		PELICAN PRODUCTS INC. 23215 EARLY AVE., TORRANCE, CA 90505 (310) 326-4700		
		DESIGN		TITLE 1520 CUBE CASE, TOP, US INTERNAL GEOMETRY		
		CHECKED				
		APPROVED				
This Drawing contains information proprietary to Pelican Products Inc. any reproduction disclosure or use of this drawing requires written permission of Pelican Products Inc.		SIZE	SCALE	DRAWING NO.	REV	
		B	1:1	1520	PR	
DO NOT SCALE DRAWING				SHEET	1	OF 1