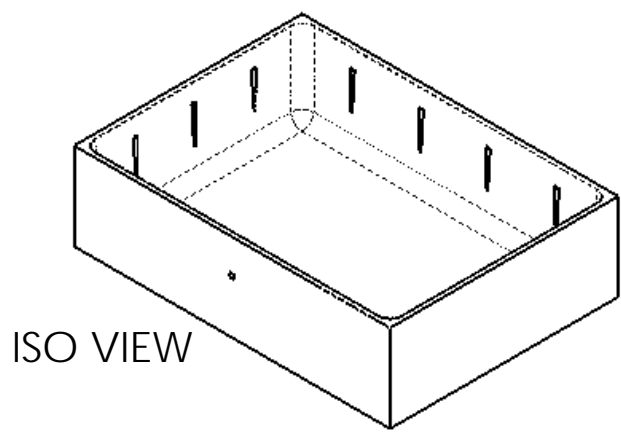
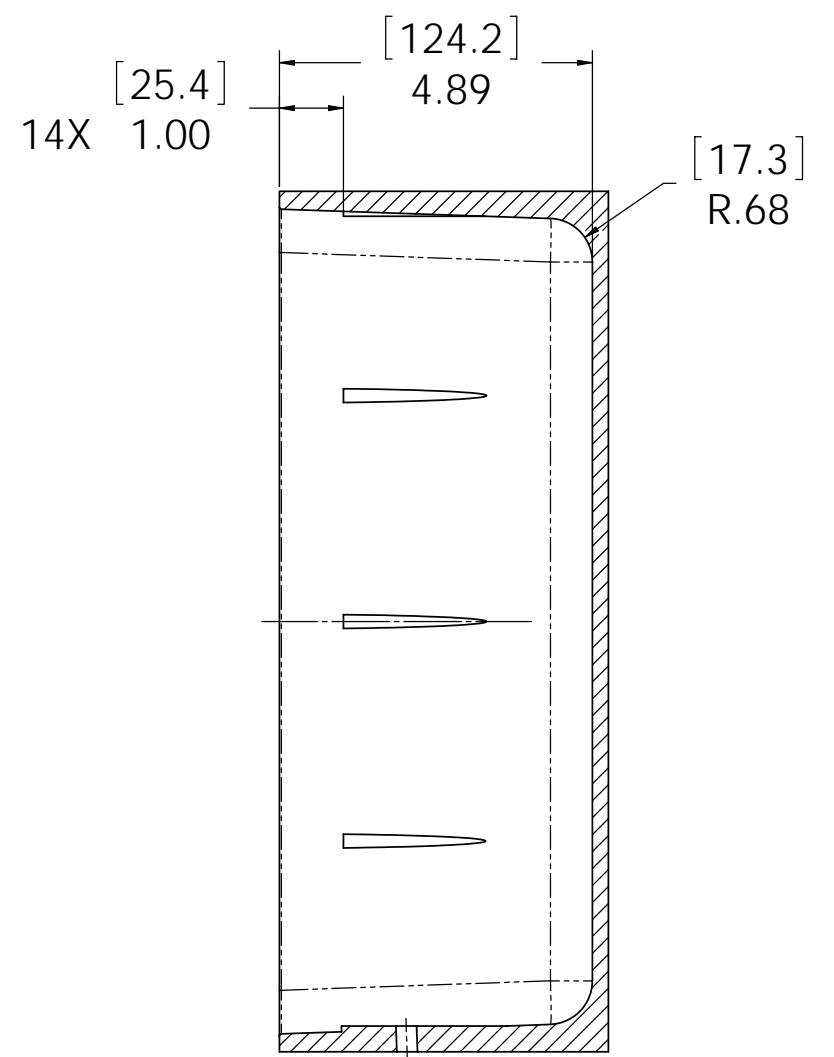
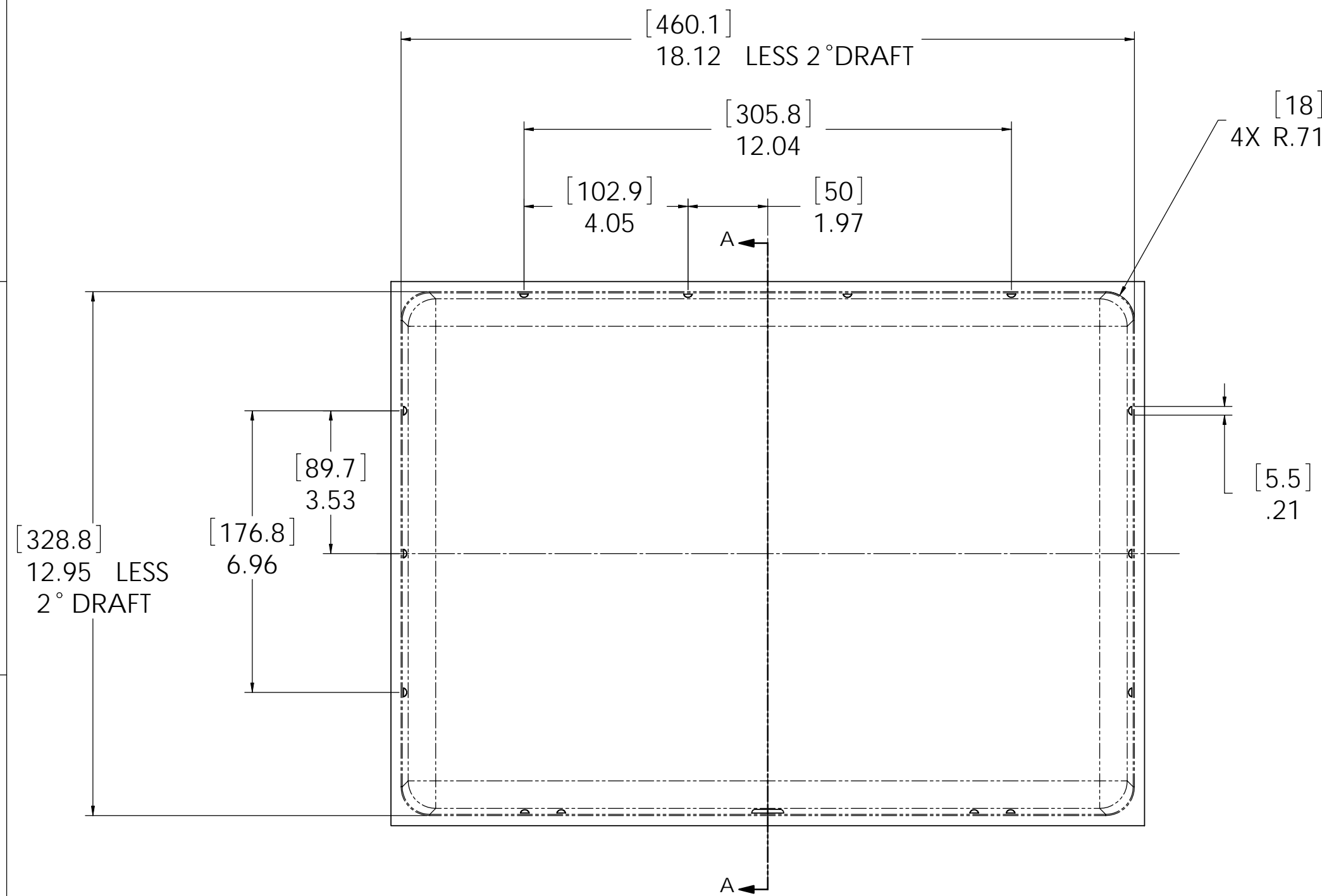



1520		REVISIONS		
REV.	DESCRIPTION	DATE	DR/FIR	APPRVD



1. ALL DIMENSIONS ARE TO INTERNAL GEOMETRY OF CASE.
NOTES: UNLESS OTHERWISE SPECIFIED.

 <p>THE PELICAN You break it, we replace it... forever.</p>	UNSPECIFIED TOLERANCES	APPROVALS DATE	PELICAN PRODUCTS INC. 23215 EARLY AVE., TORRANCE, CA 90505 (310) 326-4700	
		DESIGN	TITLE	
		CHECKED	1520 CASE, BOTTOM, US INTERNAL GEOMETRY	
	APPROVED	SIZE	SCALE	DRAWING NO.
		D	1:1	1520
				REV
				PR
DO NOT SCALE DRAWING				SHEET 1 OF 1