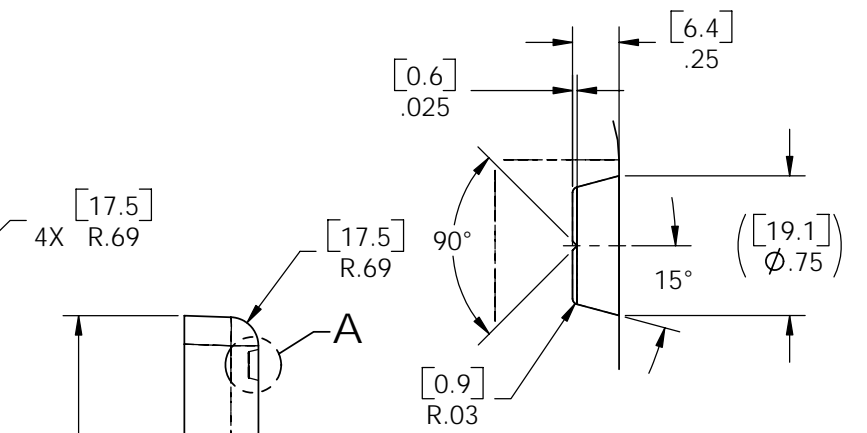
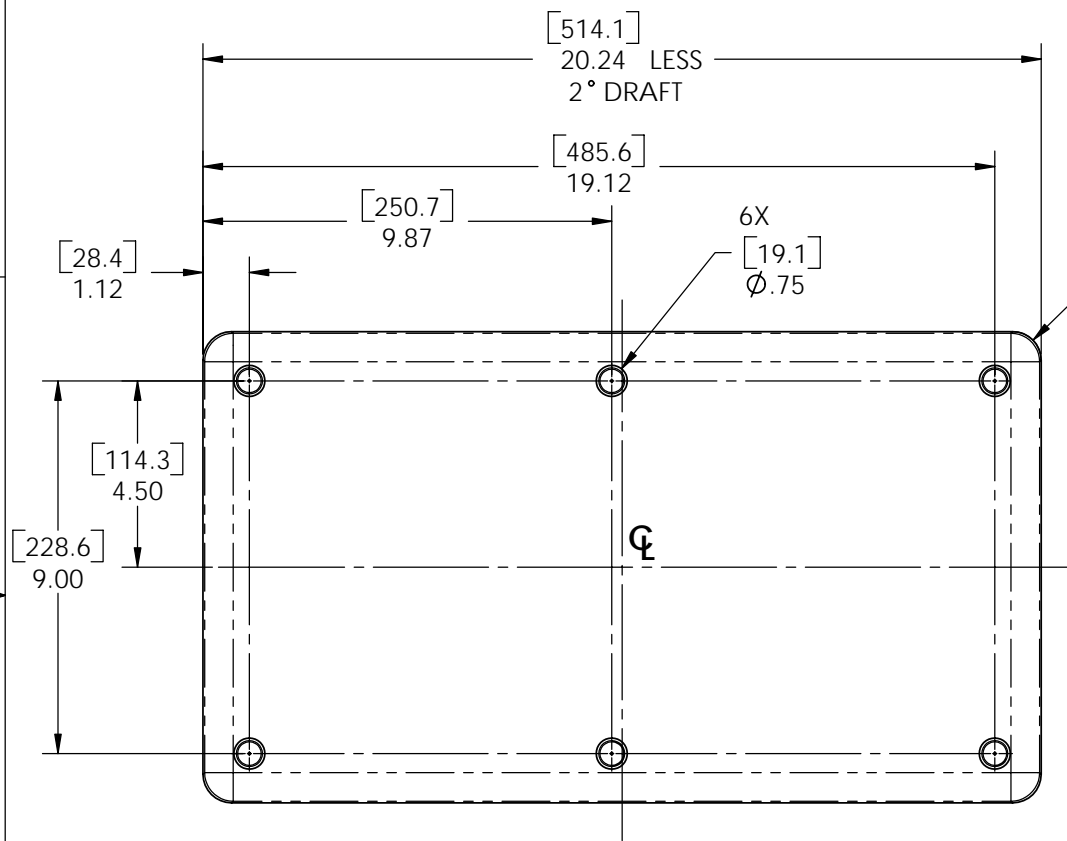
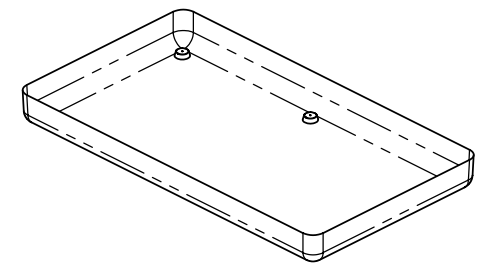
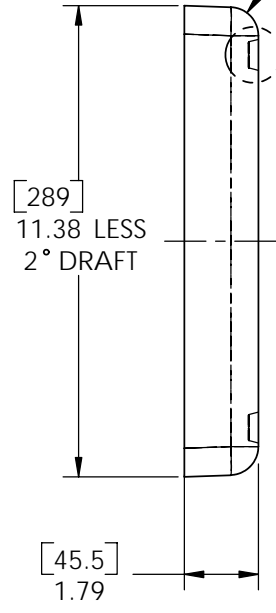


1510				
REVISIONS				
REV.	DESCRIPTION	DATE	DRFTR	APPRVD



DETAIL A
6X
SCALE 1.5 : 1



ISO VIEW

1. ALL DIMENSIONS ARE TO INTERNAL GEOMETRY OF CASE.
NOTES: UNLESS OTHERWISE SPECIFIED.



UNSPECIFIED TOLERANCES	DESIGN	DATE	PELICAN PRODUCTS INC. 23215 EARLY AVE., TORRANCE, CA 90505 (310) 326-4700 TITLE 1510 CUBE CASE, TOP INTERNAL GEOMETRY		
	CHECKED				
	APPROVED				
This Drawing contains information proprietary to Pelican Products Inc. any reproduction disclosure or use of this drawing requires written permission of Pelican Products Inc.	SIZE	SCALE	DRAWING NO.	REV	
	B	1:1	1510	PR	
DO NOT SCALE DRAWING			SHEET 1	OF 1	