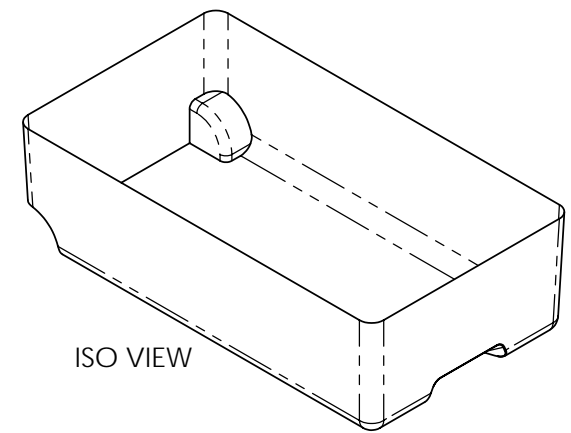
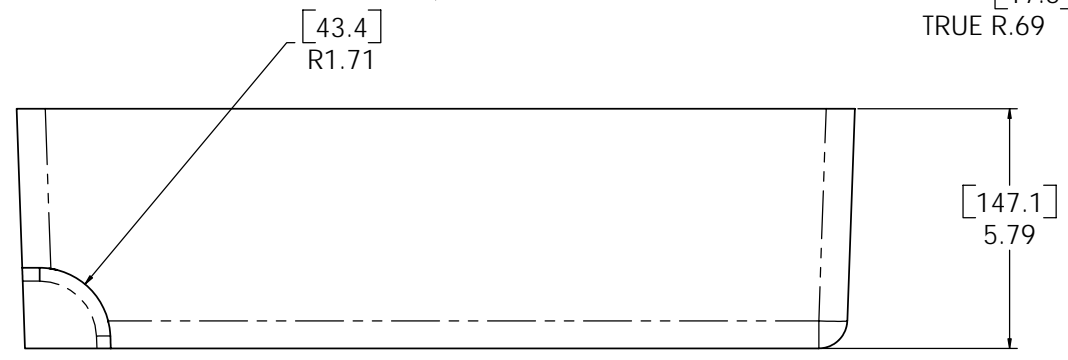
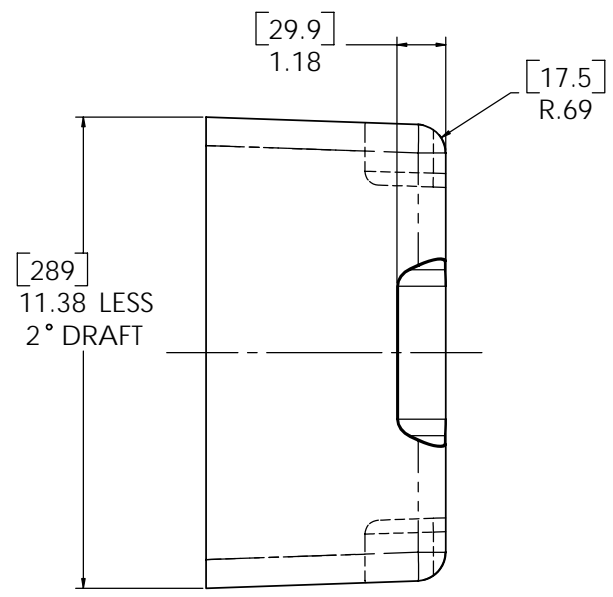
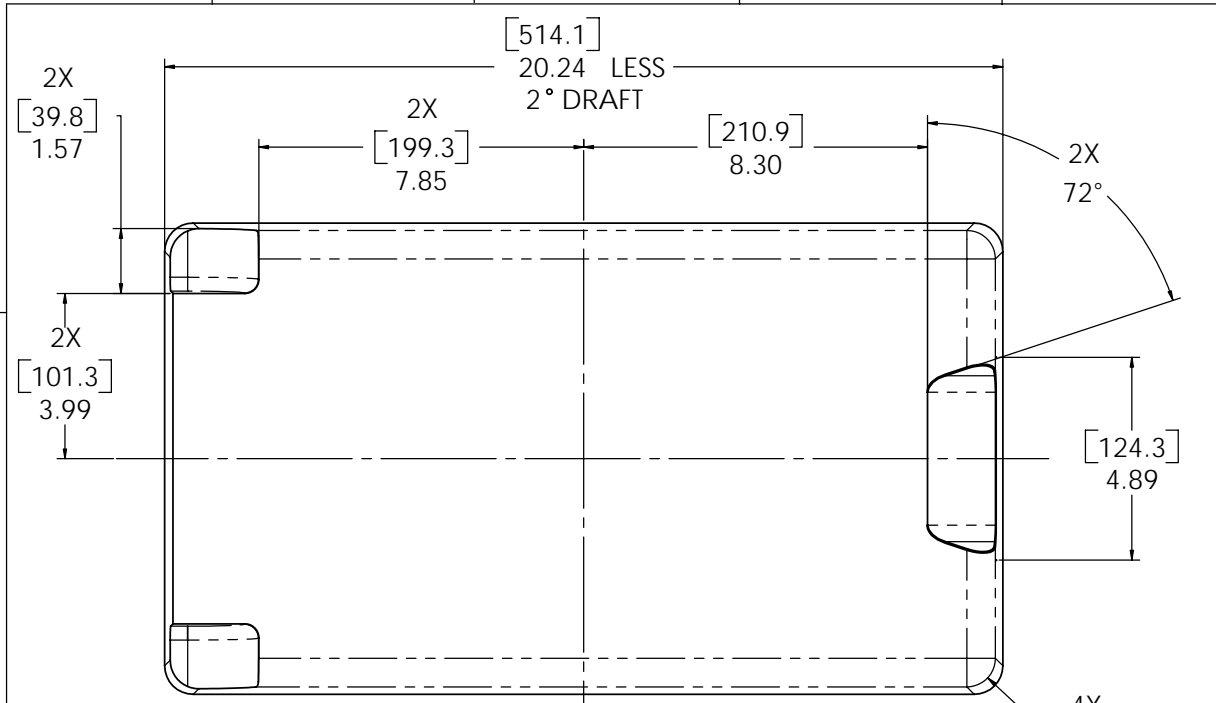



REVISIONS				
REV.	DESCRIPTION	DATE	DRTR	APPRVD



1. ALL DIMENSIONS ARE TO INTERNAL GEOMETRY OF CASE.
 NOTES: UNLESS OTHERWISE SPECIFIED.

 <p>PELICAN Your break it, we replace it... forever.</p>	UNSPECIFIED TOLERANCES	APPROVALS DATE	PELICAN PRODUCTS INC. 23215 EARLY AVE., TORRANCE, CA 90505 (310) 326-4700																		
	<small>The Drawing contains information proprietary to Pelican Products Inc. Any reproduction, disclosure or use of this drawing requires written permission of Pelican Products Inc.</small>	<table border="1"> <tr><td>DATE</td><td> </td></tr> <tr><td>DESIGN</td><td> </td></tr> <tr><td>APPROVED</td><td> </td></tr> </table>	DATE		DESIGN		APPROVED		<table border="1"> <tr><td>TITLE</td><td colspan="3">1510 CASE LINER, BOTTOM INTERNAL GEOMETRY</td></tr> <tr><td>SIZE</td><td>SCALE</td><td>DRAWING NO.</td><td>PR</td></tr> <tr><td>D</td><td>1:1</td><td>1510</td><td> </td></tr> </table>	TITLE	1510 CASE LINER, BOTTOM INTERNAL GEOMETRY			SIZE	SCALE	DRAWING NO.	PR	D	1:1	1510	
DATE																					
DESIGN																					
APPROVED																					
TITLE	1510 CASE LINER, BOTTOM INTERNAL GEOMETRY																				
SIZE	SCALE	DRAWING NO.	PR																		
D	1:1	1510																			