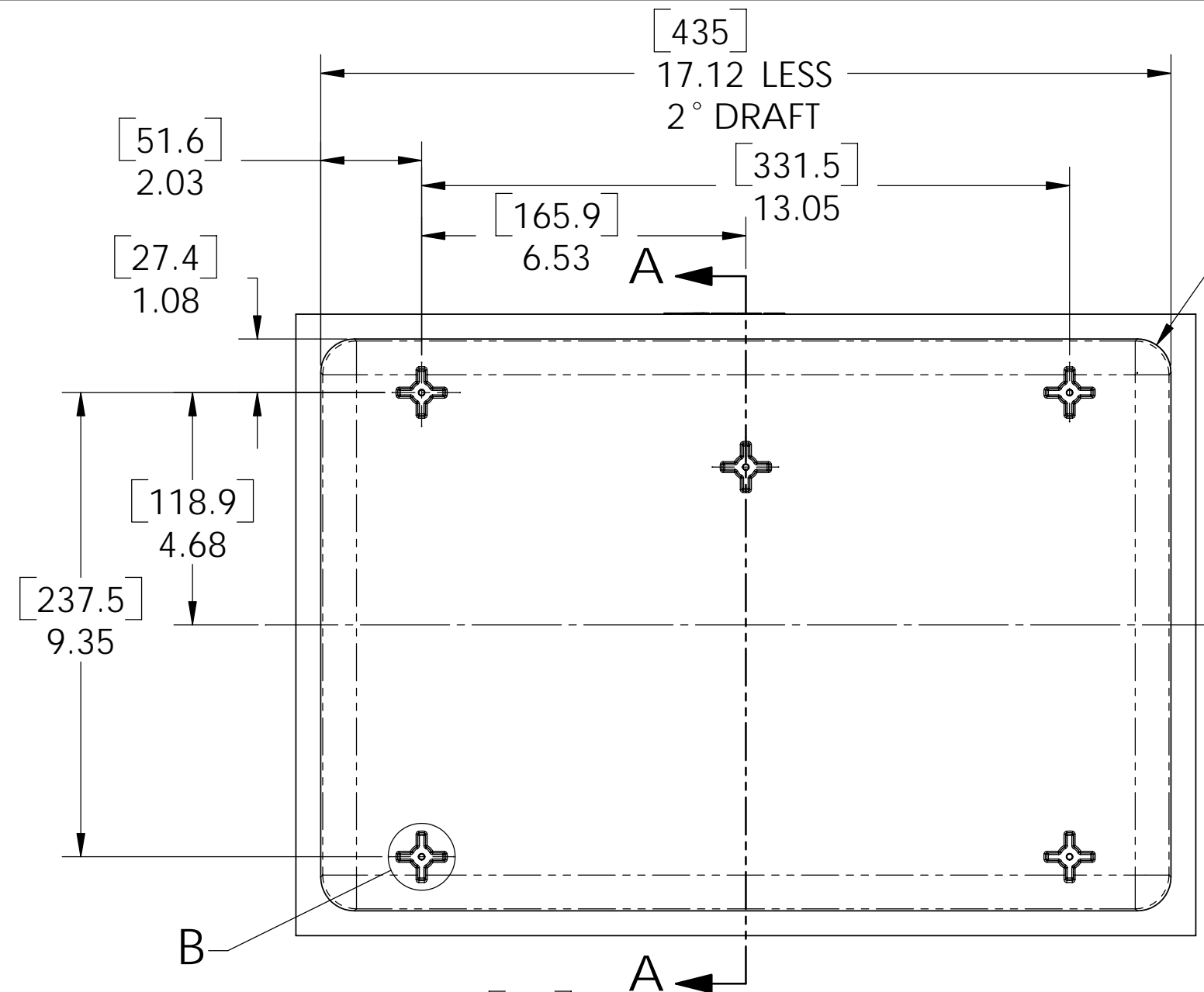
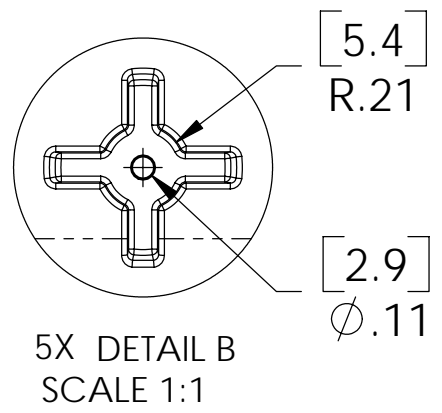
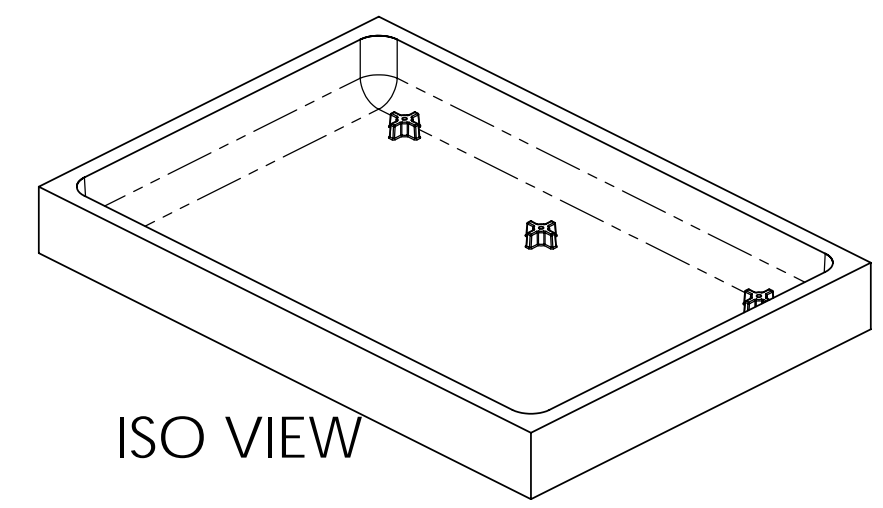
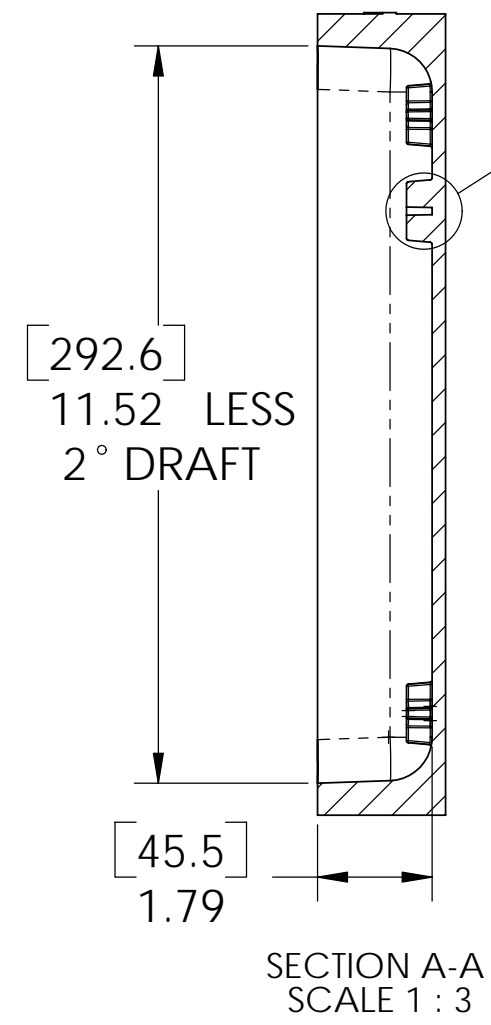
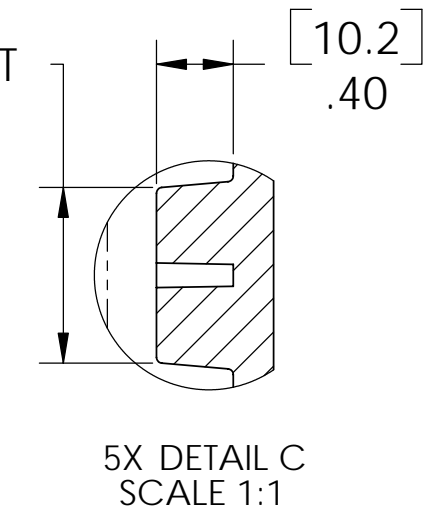


1500				
REVISIONS				
REV.	DESCRIPTION	DATE	DRFTR	APPR'VD



4X [17.3] R.68  
 2X [23.2] .92 +5° DRAFT PER SIDE



2. PRODUCT SHALL BE RoHS COMPLIANT  
 1. ALL DIMENSIONS ARE TO INTERNAL GEOMETRY OF CASE.  
 NOTES: UNLESS OTHERWISE SPECIFIED.



UNSPECIFIED TOLERANCES	DESIGN	APPROVALS	DATE	<b>PELICAN PRODUCTS INC.</b>	
	CHECKED			23215 EARLY AVE., TORRANCE, CA 90505 (310) 326-4700	
	APPROVED			TITLE 1500 CASE, TOP INTERNAL GEOMETRY	
This Drawing contains information proprietary to Pelican Products Inc. any reproduction disclosure or use of this drawing requires written permission of Pelican Products Inc.	SIZE	SCALE	DRAWING NO.	REV	
	<b>B</b>	1:1	1500-CASE TOP		
DO NOT SCALE DRAWING				SHEET	1 OF 1