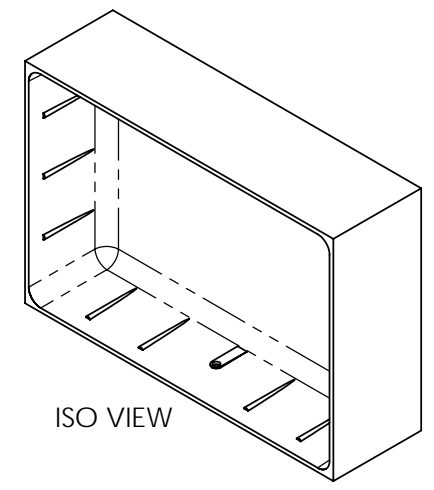
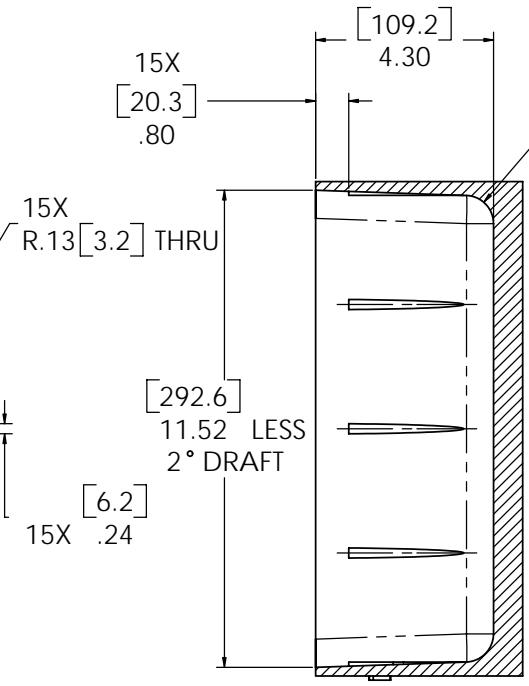
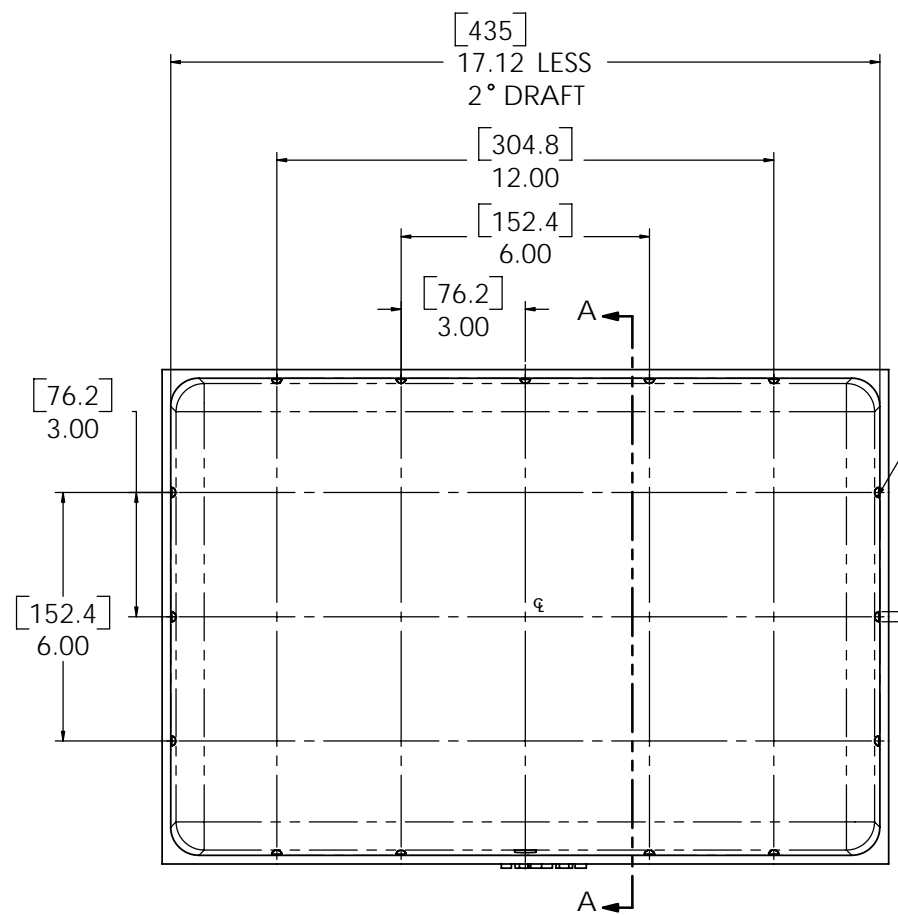



REVISIONS				
REV.	DESCRIPTION	DATE	DRTR	APPRVD



SECTION A-A
SCALE 1 : 1.5

1. ALL DIMENSIONS ARE TO INTERNAL GEOMETRY OF CASE.
NOTES: UNLESS OTHERWISE SPECIFIED.

 <p>PELICAN Your break it, we replace it... forever.</p>	UNSPECIFIED TOLERANCES	APPROVALS DATE	PELICAN PRODUCTS INC. 23215 EARLY AVE., TORRANCE, CA 90505 (310) 326-4700	
	<small>The Drawing contains information proprietary to Pelican Products Inc. Any reproduction, disclosure or use of this drawing requires written permission of Pelican Products Inc.</small>	<small>DATE</small> <small>APPROVED</small>	<small>TITLE</small> 1500 CUBE CASE, BOTTOM INTERNAL GEOMETRY	<small>SIZE</small> D
			<small>DRAWING NO.</small> 1500	<small>PR</small> PR
			<small>DO NOT SCALE DRAWING</small>	<small>1 OF 1</small>