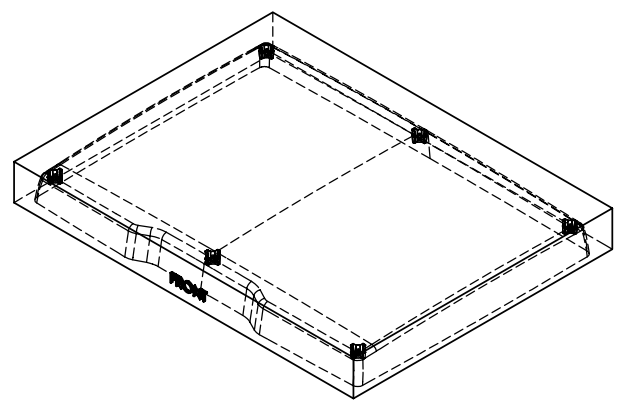
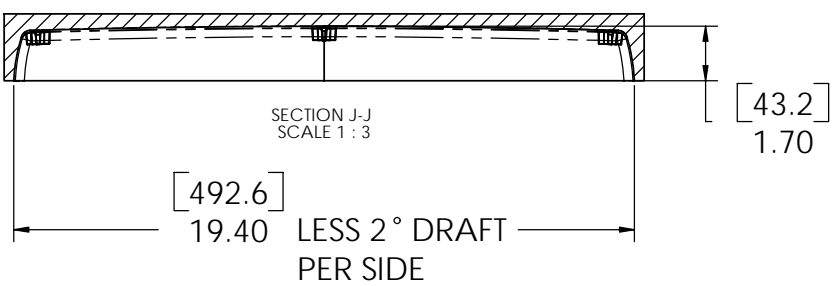
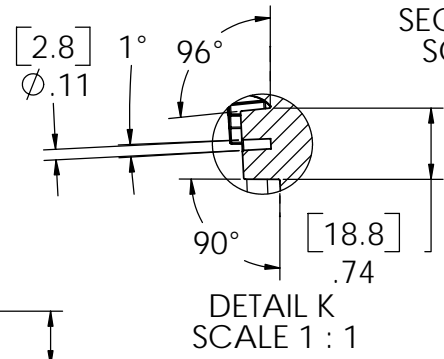
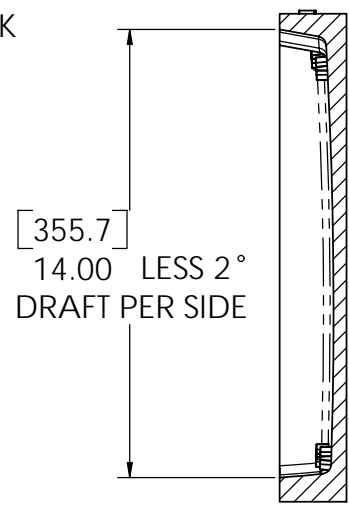
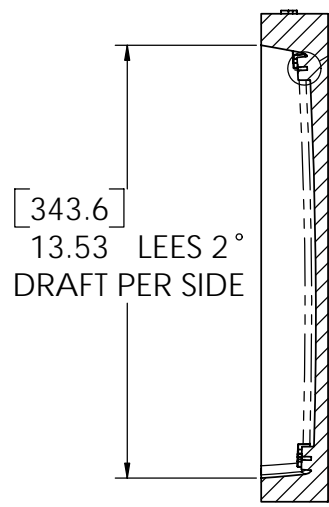
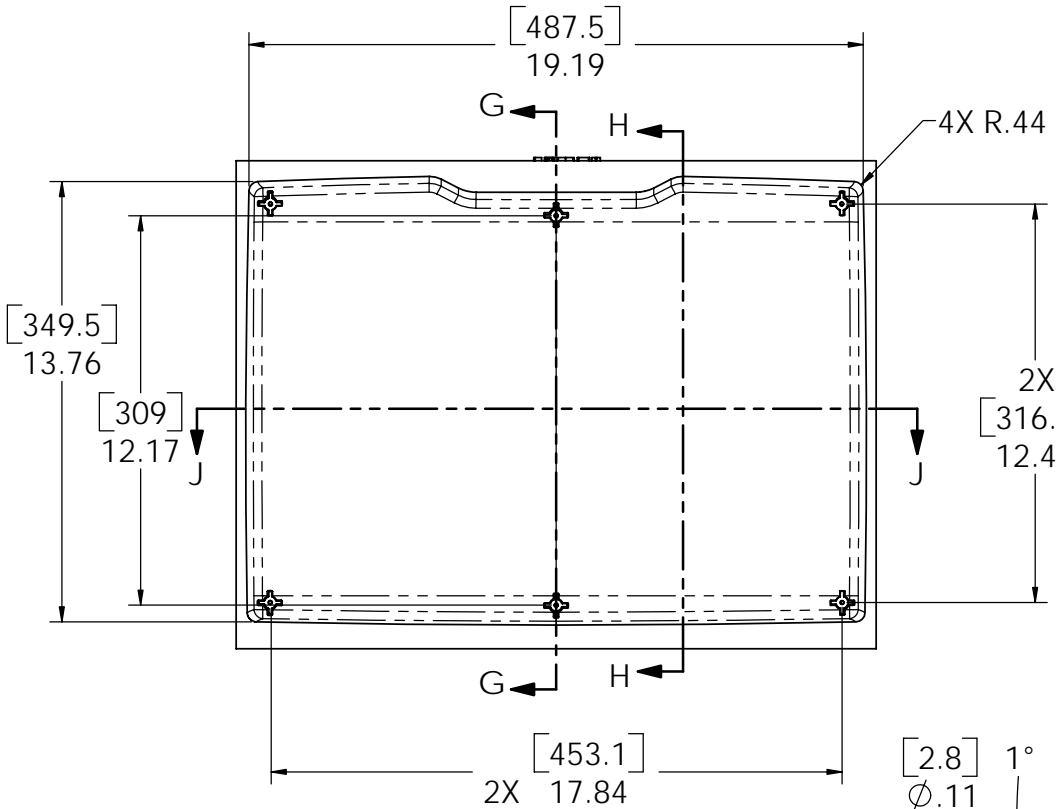
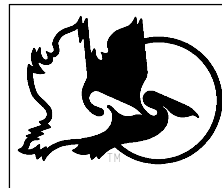


REV.	DESCRIPTION	DATE	APPROVED
PR	DRAWING RELEASE	03-09-07	S.H.



1. ALL DIMENSIONS ARE TO INTERNAL GEOMETRY OF CASE.  
 NOTES: UNLESS OTHERWISE SPECIFIED.



UNSPECIFIED TOLERANCES	APPROVALS	DATE	PELICAN PRODUCTS, INC.	
	CHECKED		23215 EARLY AVE., TORRANCE, CA 90505 (310) 326-4700	
	APPROVED		TITLE	
			1495 CASE TOP INTERNAL GEOMETRY	
This drawing contains information proprietary to Pelican Products Inc. any reproduction disclosure or use of this drawing requires written permission of Pelican Products Inc.	SIZE	SCALE	DRAWING NO.	REV
	C		1495_OEM_TOP	PR
DO NOT SCALE DRAWING			SHEET	