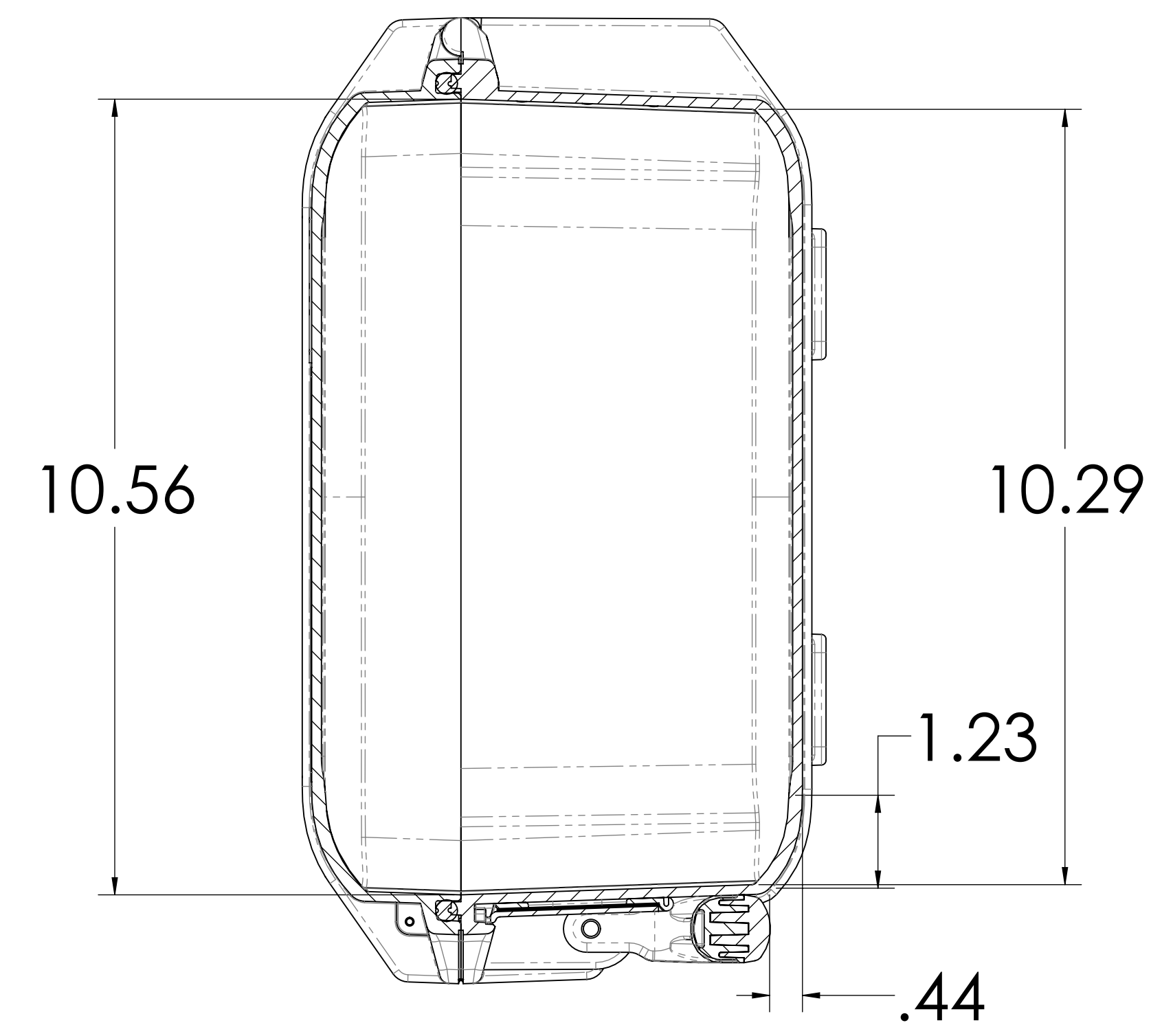
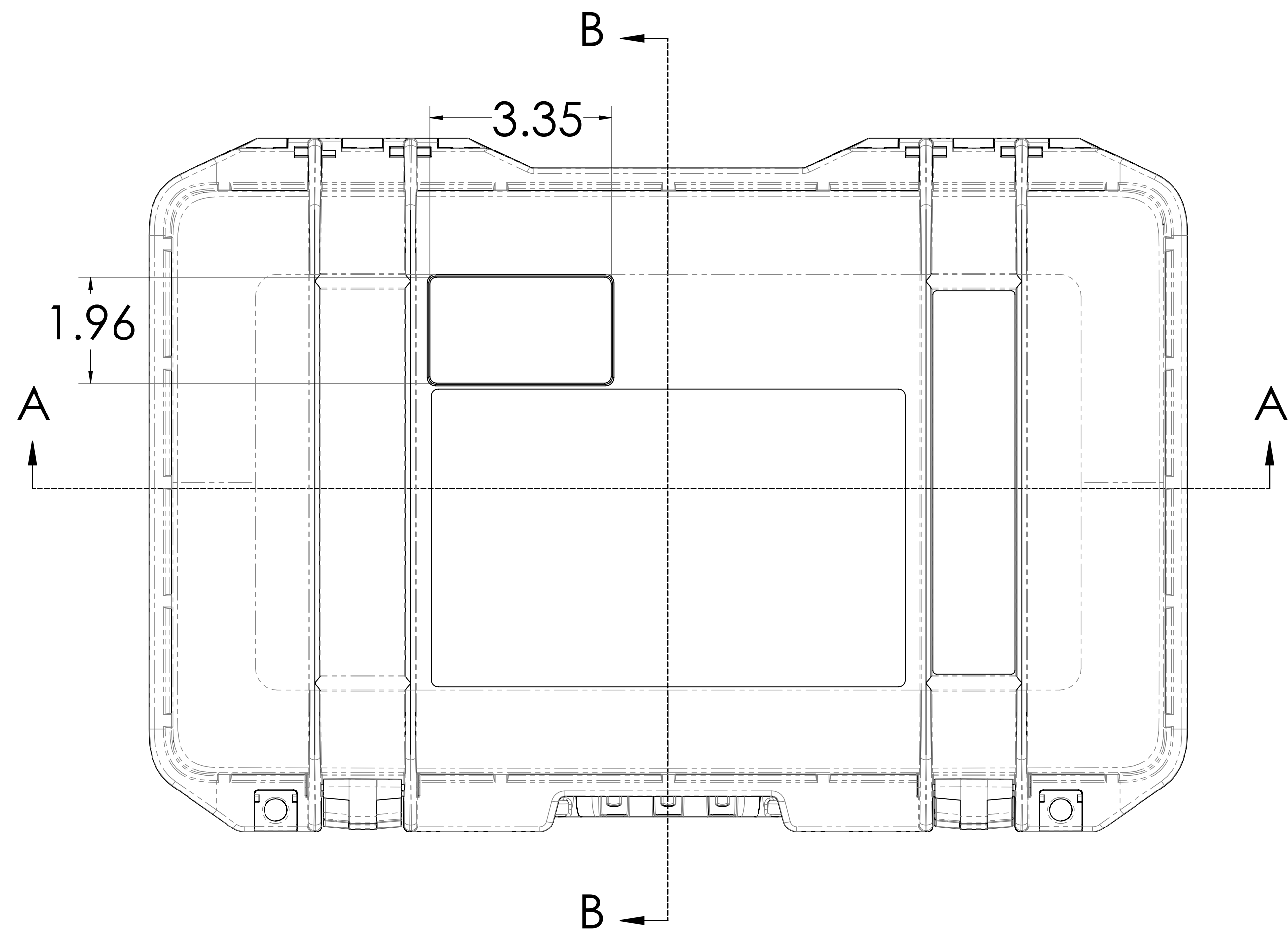
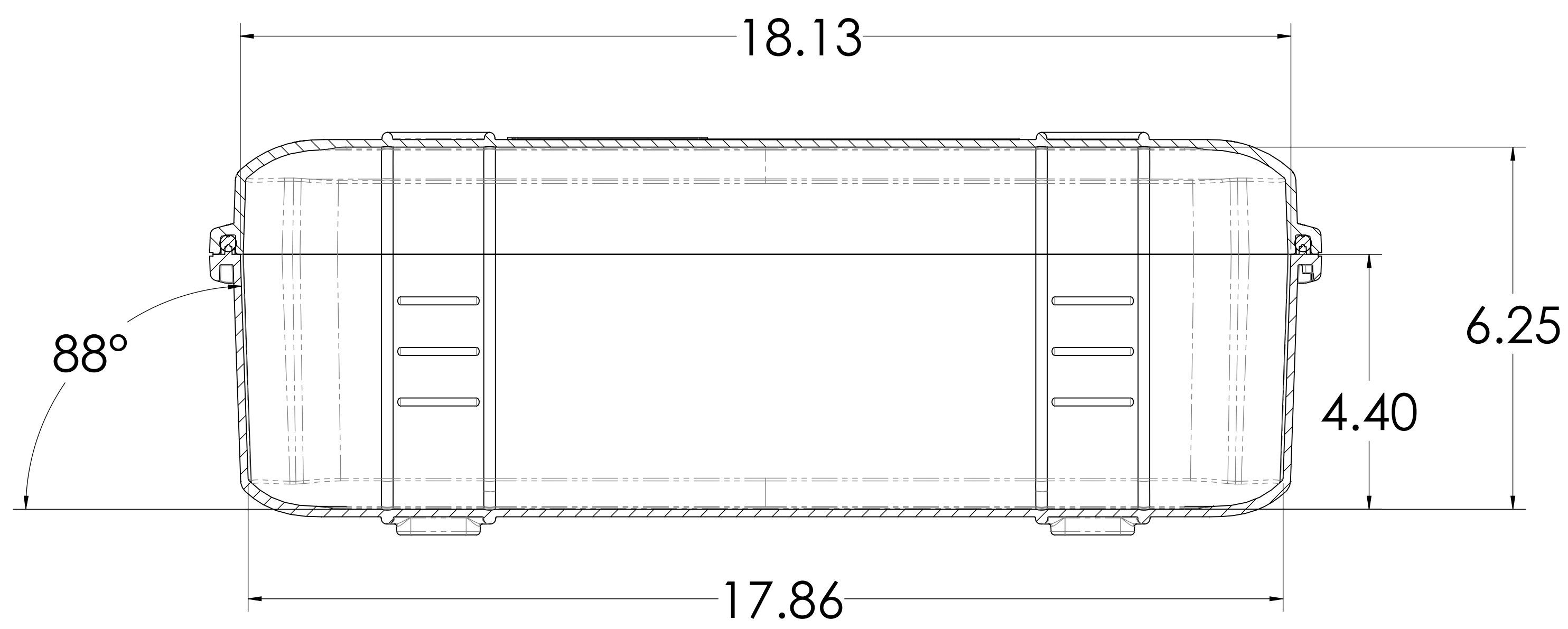
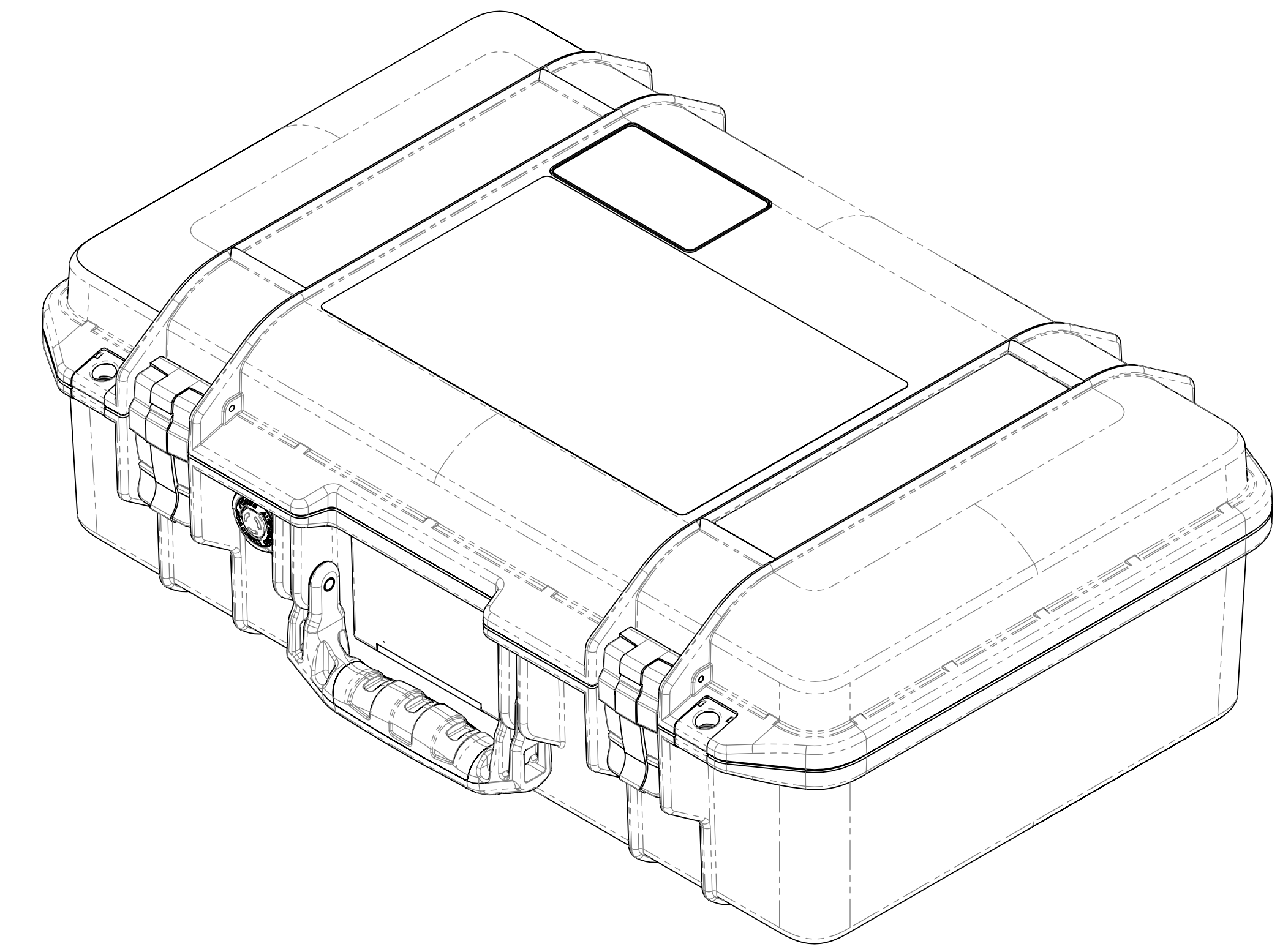


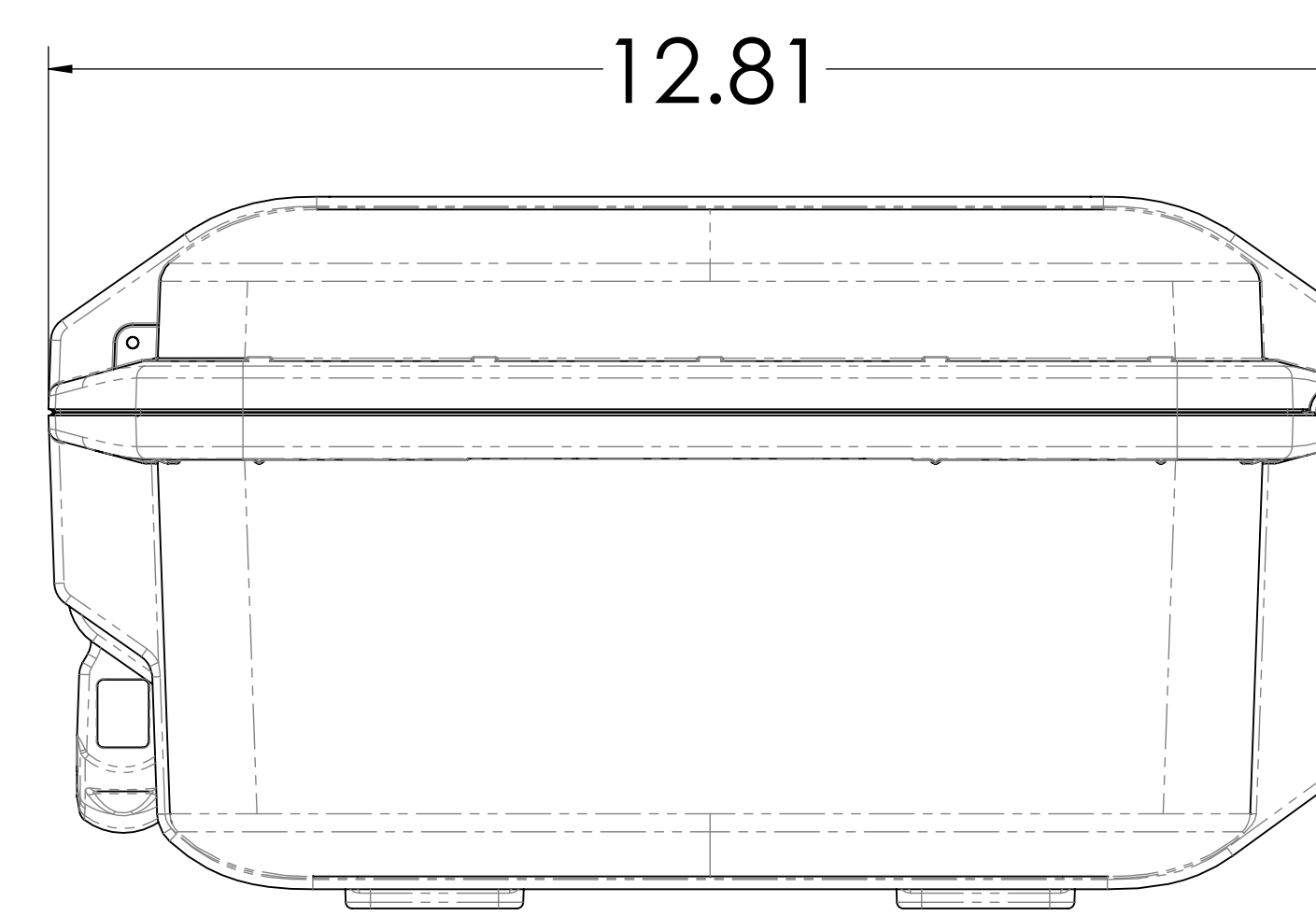
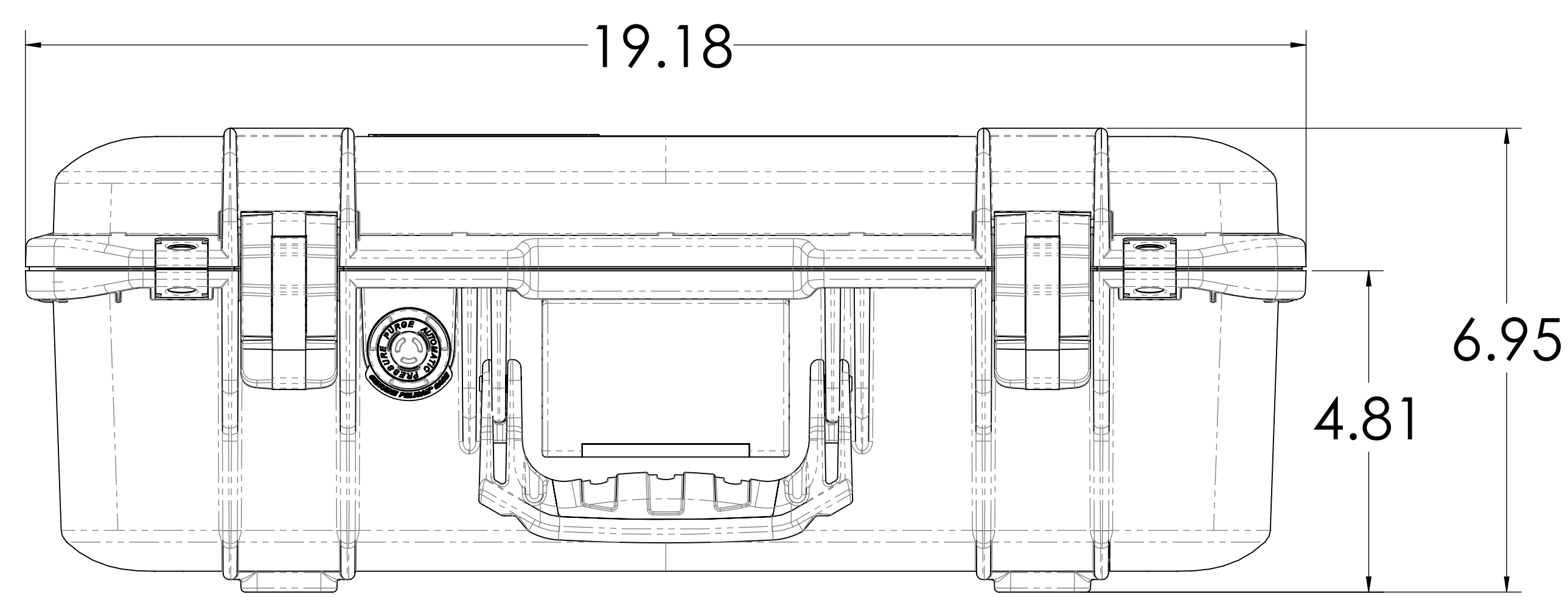
REVISIONS				
REV.	DESCRIPTION	DATE	DRAWN	APPROVED
A	DRAWING RELEASE	4/18/16	MH	MG



SECTION B-B  
SCALE 1 : 1.75



SECTION A-A  
SCALE 1 : 1.75

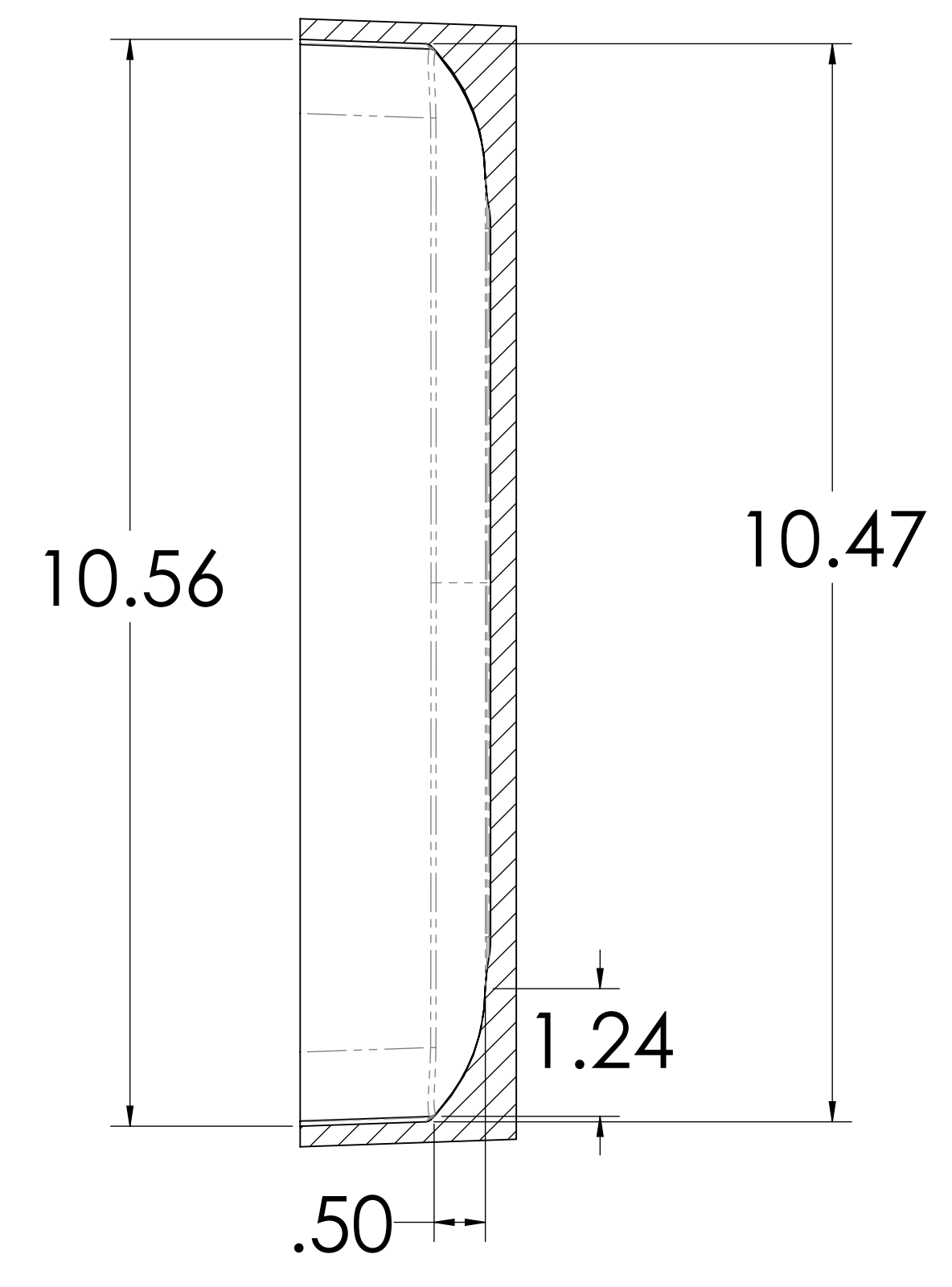
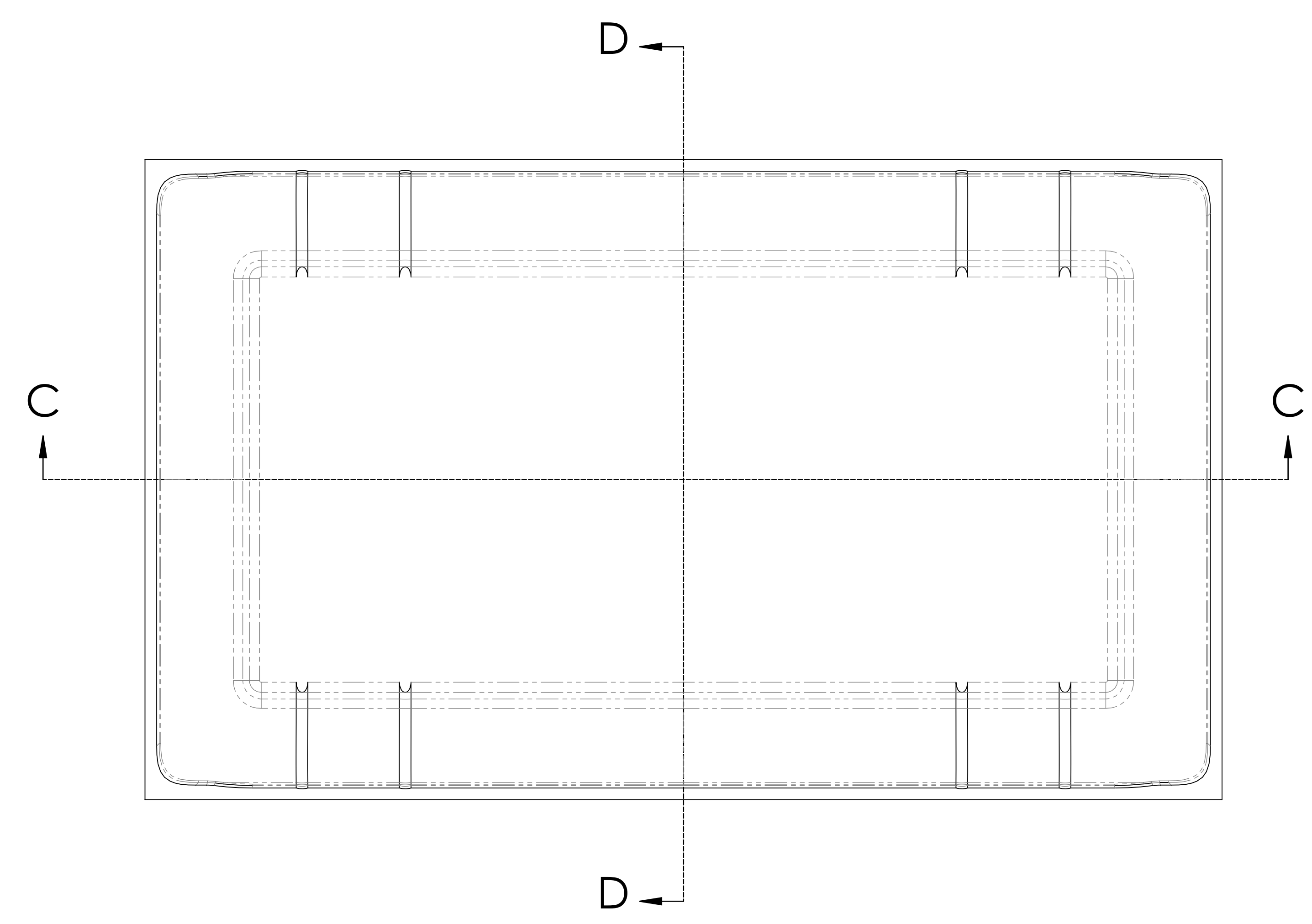


- 4: CORNERS ARE NOT TRUE RADIUS.
  - 3: FOR DETAILED INTERNAL DIMENSIONS SEE STEP OR IGES FILE.
  - 2: PRODUCT MUST BE REACH AND RoHS COMPLIANT.
  - 1- MATERIAL: POLYPROPYLENE.
- NOTE: UNLESS OTHERWISE SPECIFIED.

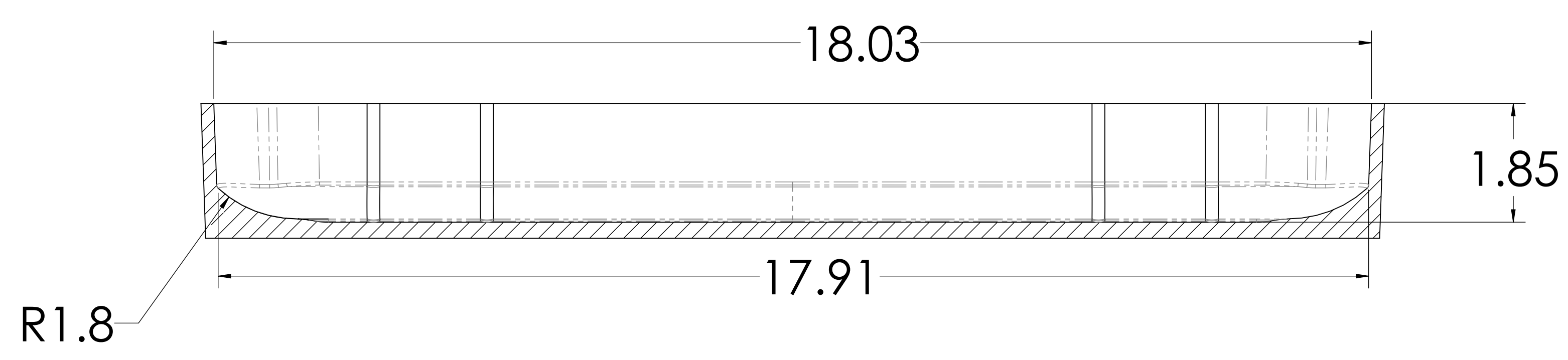
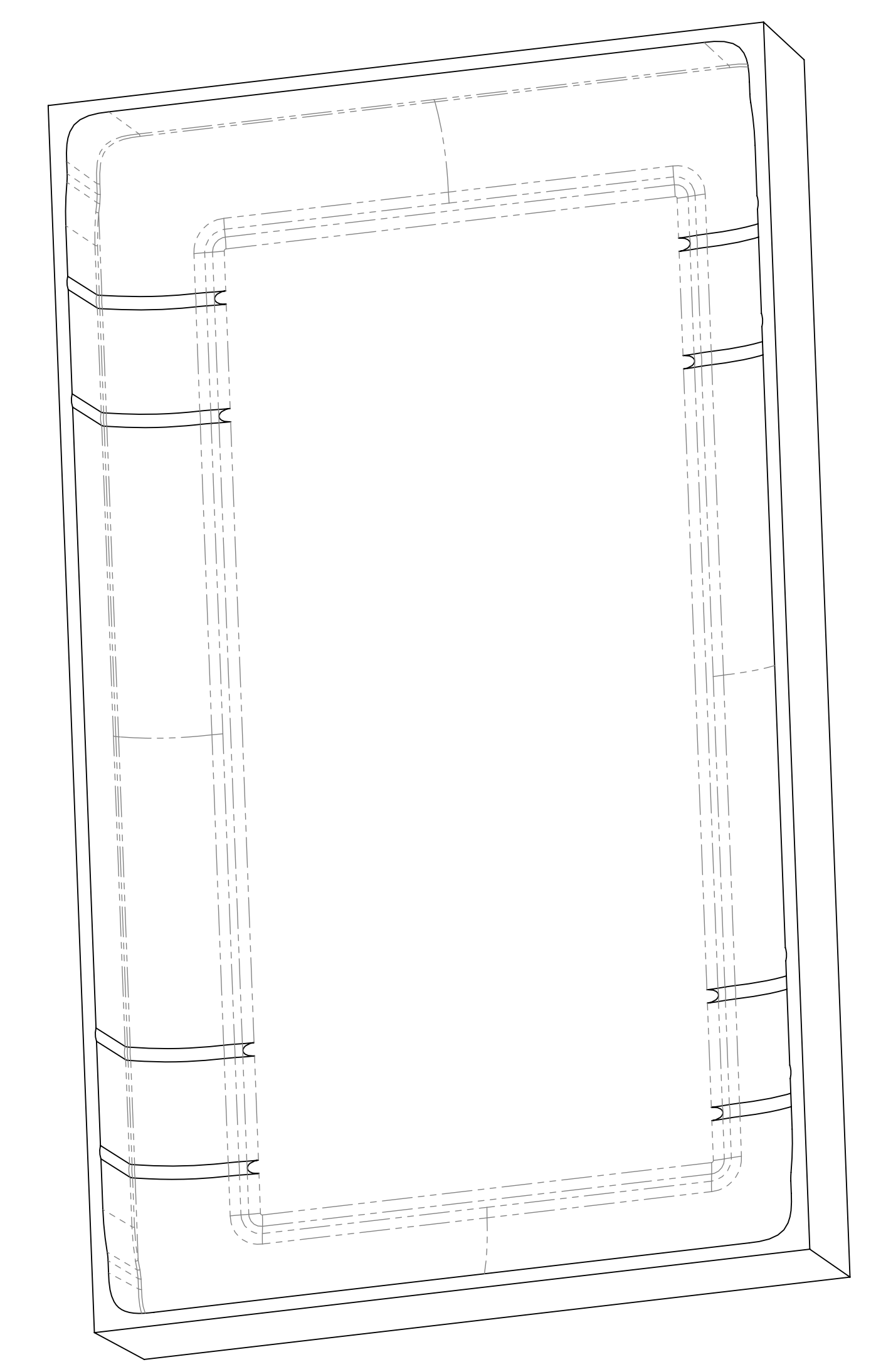
TOLERANCE BLOCK	
INCHES	.XX <math>\pm 0.00 \pm .03</math> .XXX <math>\pm 0.00 \pm .003</math> PER INCH
mm	X <math>\pm .254 \pm 0.75</math> .X <math>\pm 0.13 \pm 0.003</math> PER mm
ANGLES	<math>\pm .25^\circ</math>



APPROVALS	DATE	PELICAN PRODUCTS INC.	
DATE: XX XXXX	2016	23215 EARLY AVE., TORRANCE, CA 90505 (310) 326-4700	
TITLE	1485 CASE ASSEMBLY INTERIOR AND EXTERIOR DIMENSION		
SCALE	1:2	DRAWING NO.	014850-0000-CLR
REV	A	SHEET	1 OF 3



SECTION D-D  
SCALE 1 : 1.5

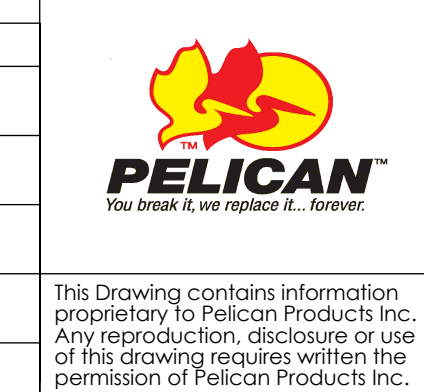


SECTION C-C  
SCALE 1 : 1.5

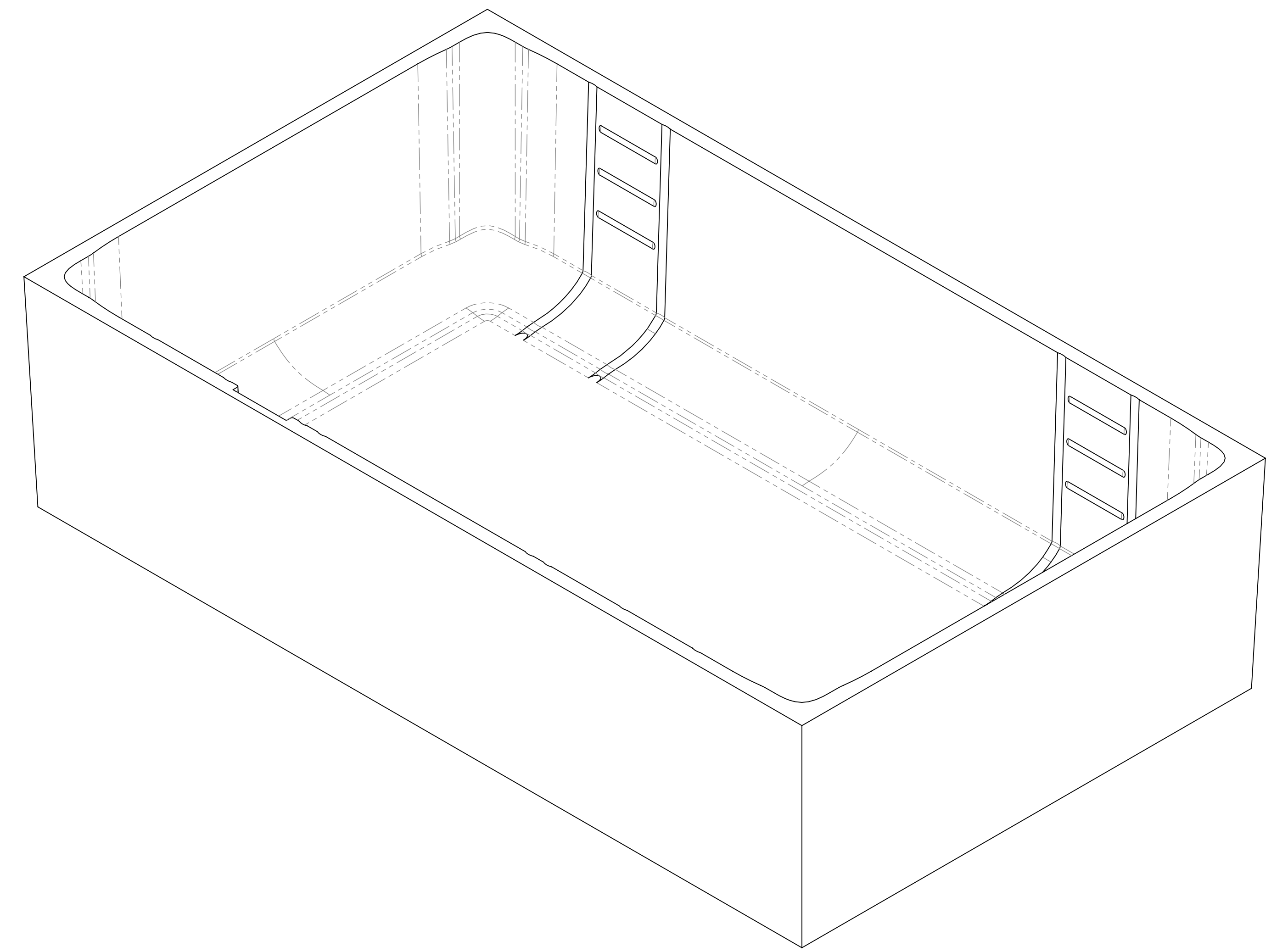
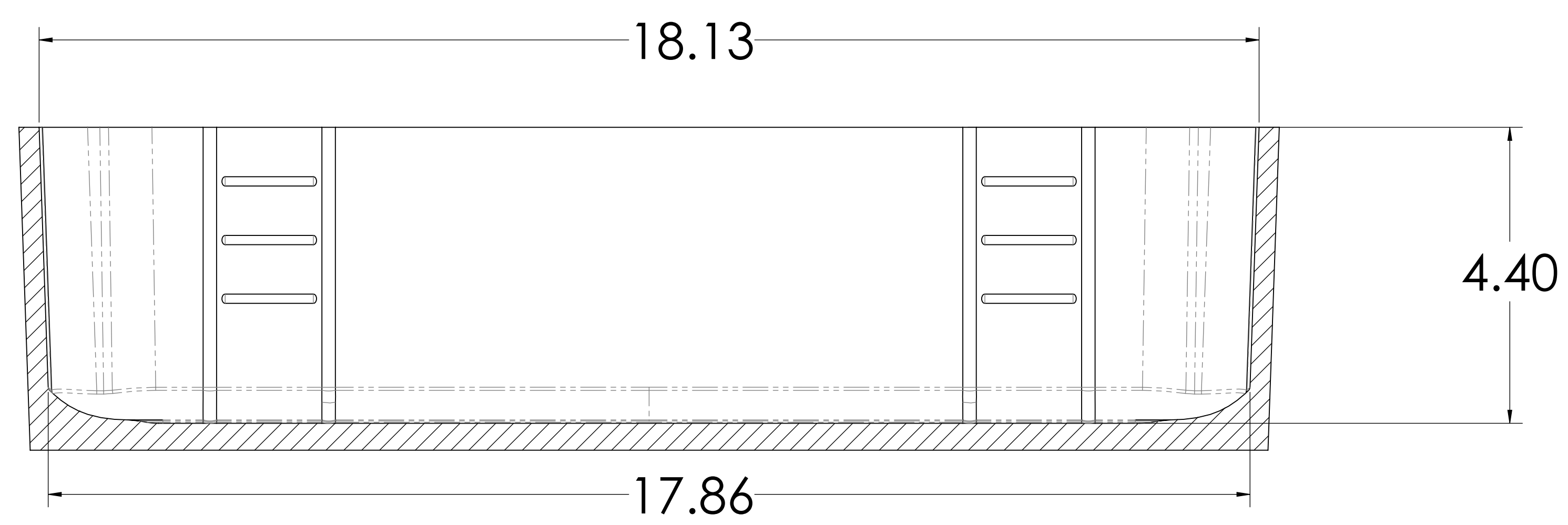
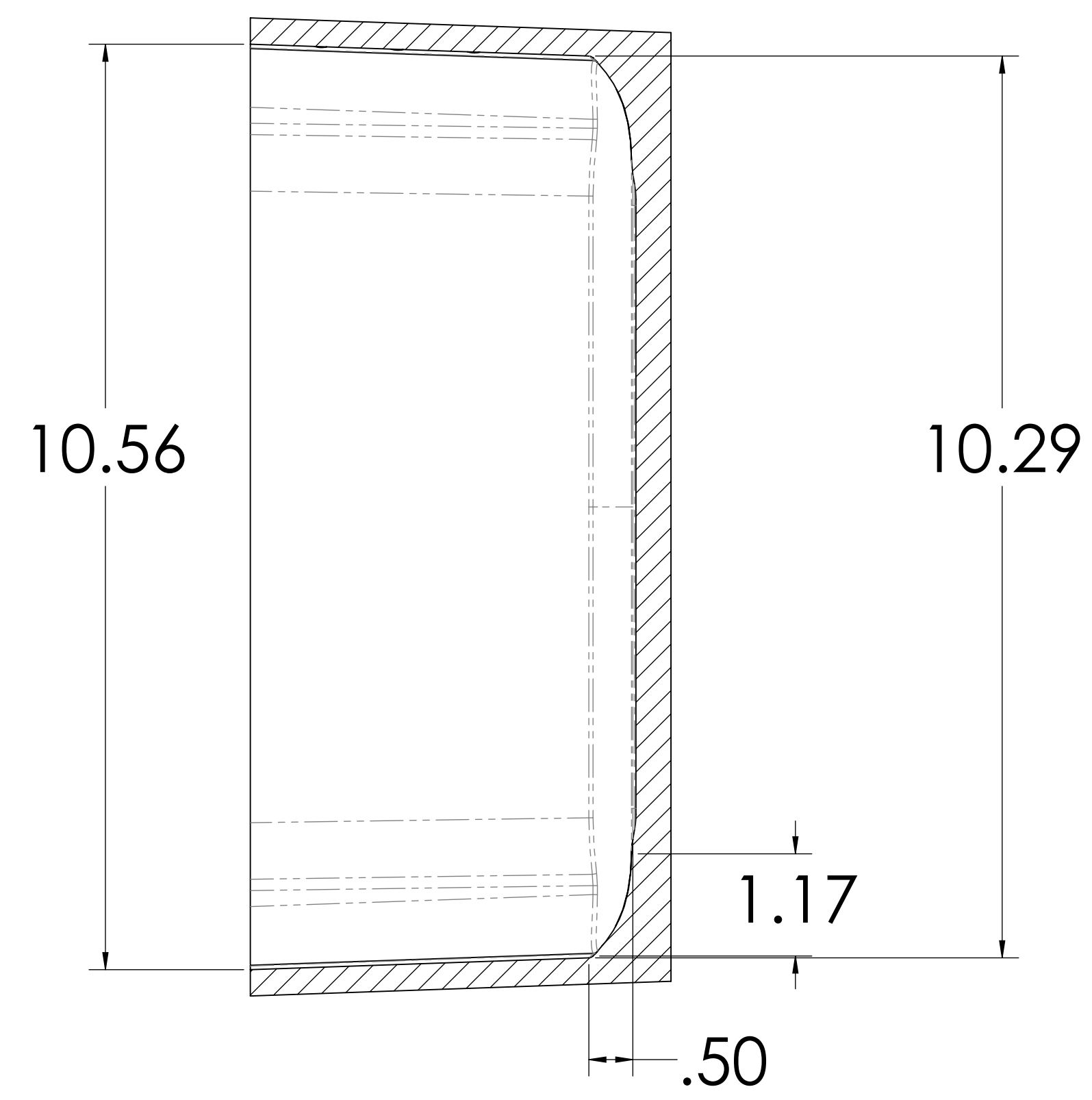
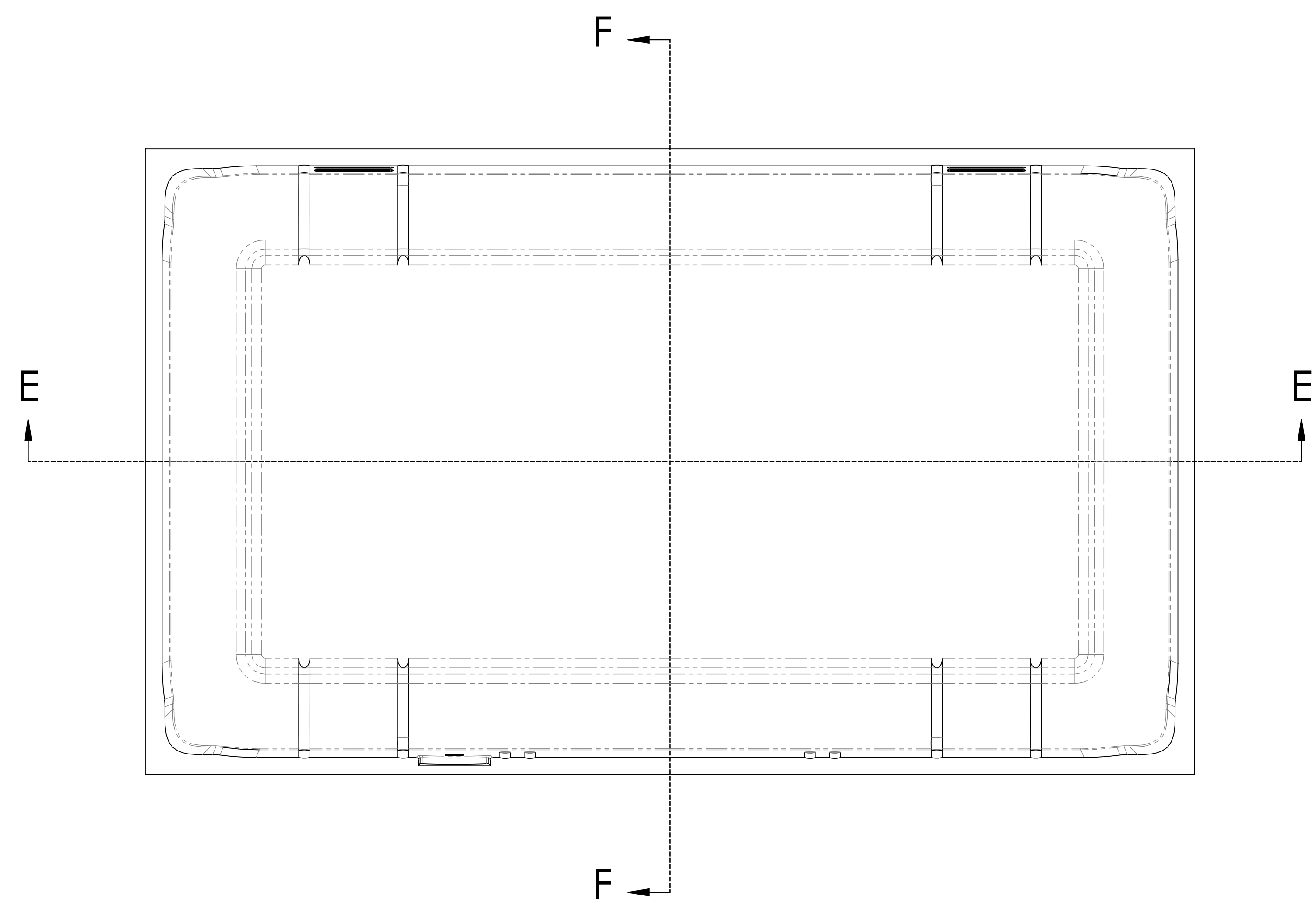
# 1485 TOP TUB DRAWING INTERIOR DIMENSION

- 4: CORNERS ARE NOT TRUE RADIUS.
  - 3: FOR DETAILED INTERNAL DIMENSIONS SEE STEP OR IGES FILE.
  - 2: PRODUCT MUST BE REACH AND RoHS COMPLIANT.
  - 1- MATERIAL: POLYPROPYLENE.
- NOTE: UNLESS OTHERWISE SPECIFIED.

TOLERANCE BLOCK		APPROVALS		DATE		PELICAN PRODUCTS INC.	
INCHES	.XX	<10.00	±.03	DATE	XX	XXXX	23215 EARLY AVE., TORRANCE, CA 90503 (310) 326-4700
	.XXX	±.005	±.003 PER INCH	CHECKED			
mm	X	<254	±0.75	APPROVED			
	.X	±0.13	±0.003 PER mm				
ANGLES			±.25°				



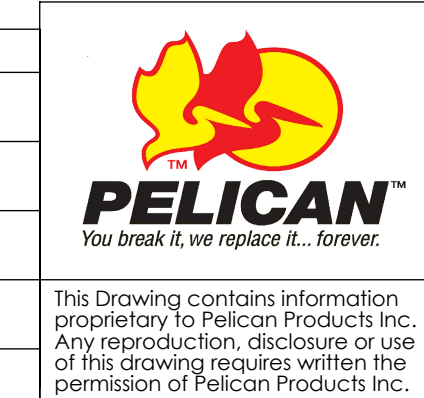
TITLE	1485 TOP TUB DRAWING	REV	A
SCALE	1:2	DRAWING NO.	
DO NOT SCALE DRAWING		SHEET	2 OF 3



# 1485 BOTTOM TUB DRAWING INTERIOR DIMENSION

4: CORNERS ARE NOT TRUE RADIUS.  
 3: FOR DETAILED INTERNAL DIMENSIONS SEE STEP OR IGES FILE.  
 2: PRODUCT MUST BE REACH AND RoHS COMPLIANT.  
 1- MATERIAL: POLYPROPYLENE.  
 NOTE: UNLESS OTHERWISE SPECIFIED.

TOLERANCE BLOCK		APPROVALS DATE		PELICAN PRODUCTS INC.	
INCHES	.XX ±.000	<10.00 ±.03	DATE	23215 EARLY AVE., TORRANCE, CA 90503 (310) 326-4700	TITLE
	.XXX ±.005	≥10.00 ±.003 PER INCH	APPROVED		1485 BOTTOM TUB DRAWING
mm	X ±.254	<254 ±0.75			DRAWING NO.
	.X ±0.13	≥254 ±0.003 PER mm			SCALE
ANGLES	∠	±.25°			1:2
				DO NOT SCALE DRAWING	
				SHEET 3 OF 3	



APPROVALS DATE	PELICAN PRODUCTS INC.
DATE	23215 EARLY AVE., TORRANCE, CA 90503 (310) 326-4700
APPROVED	TITLE
	1485 BOTTOM TUB DRAWING
	DRAWING NO.
	SCALE
	1:2
	DO NOT SCALE DRAWING
	SHEET 3 OF 3