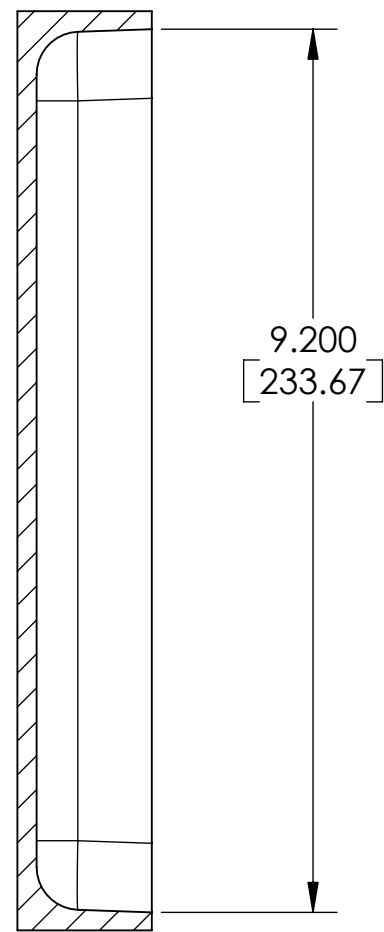


4

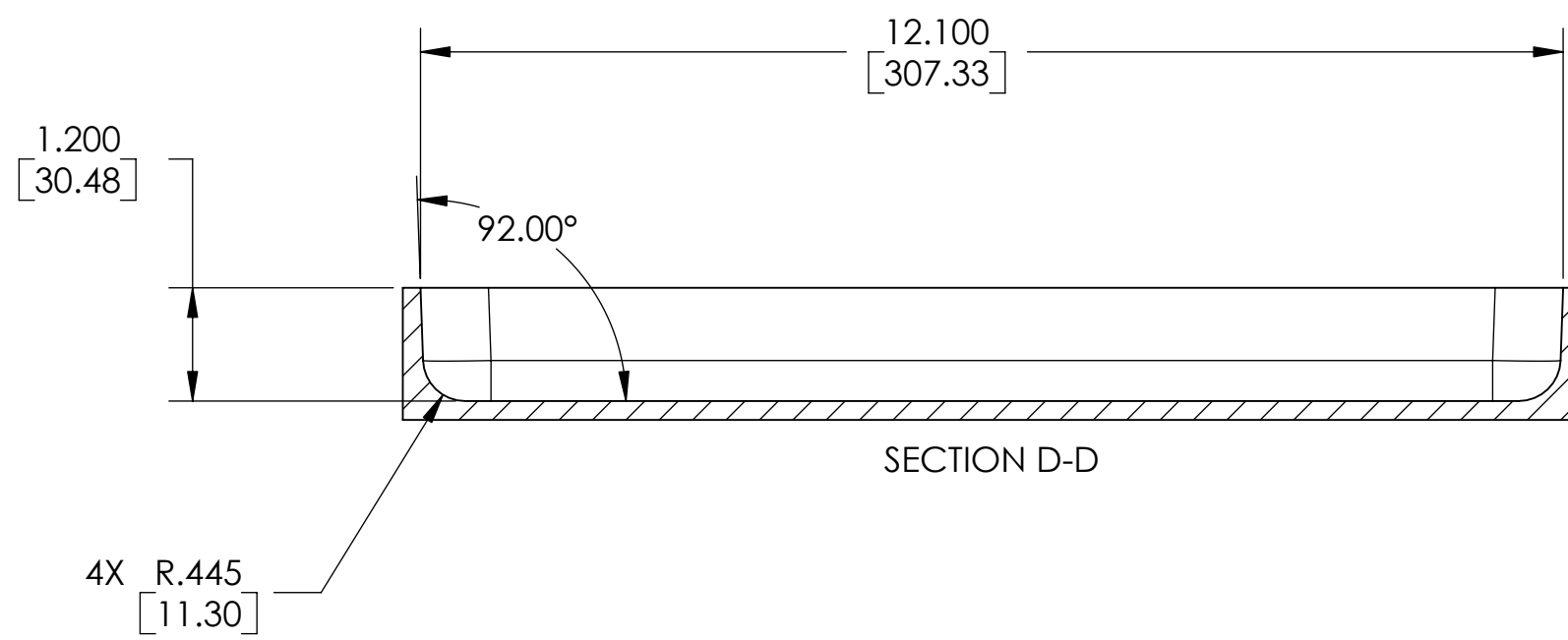
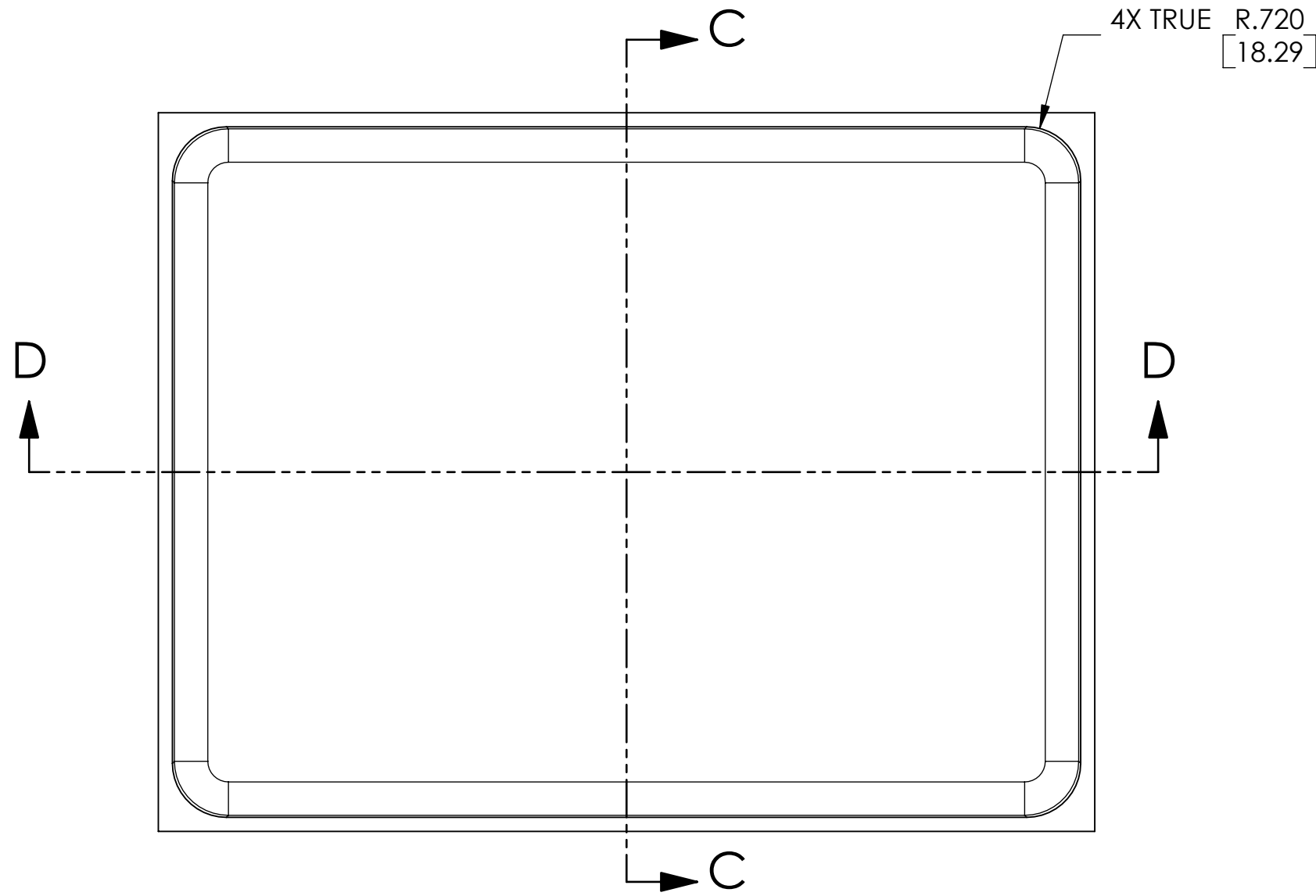
3

2

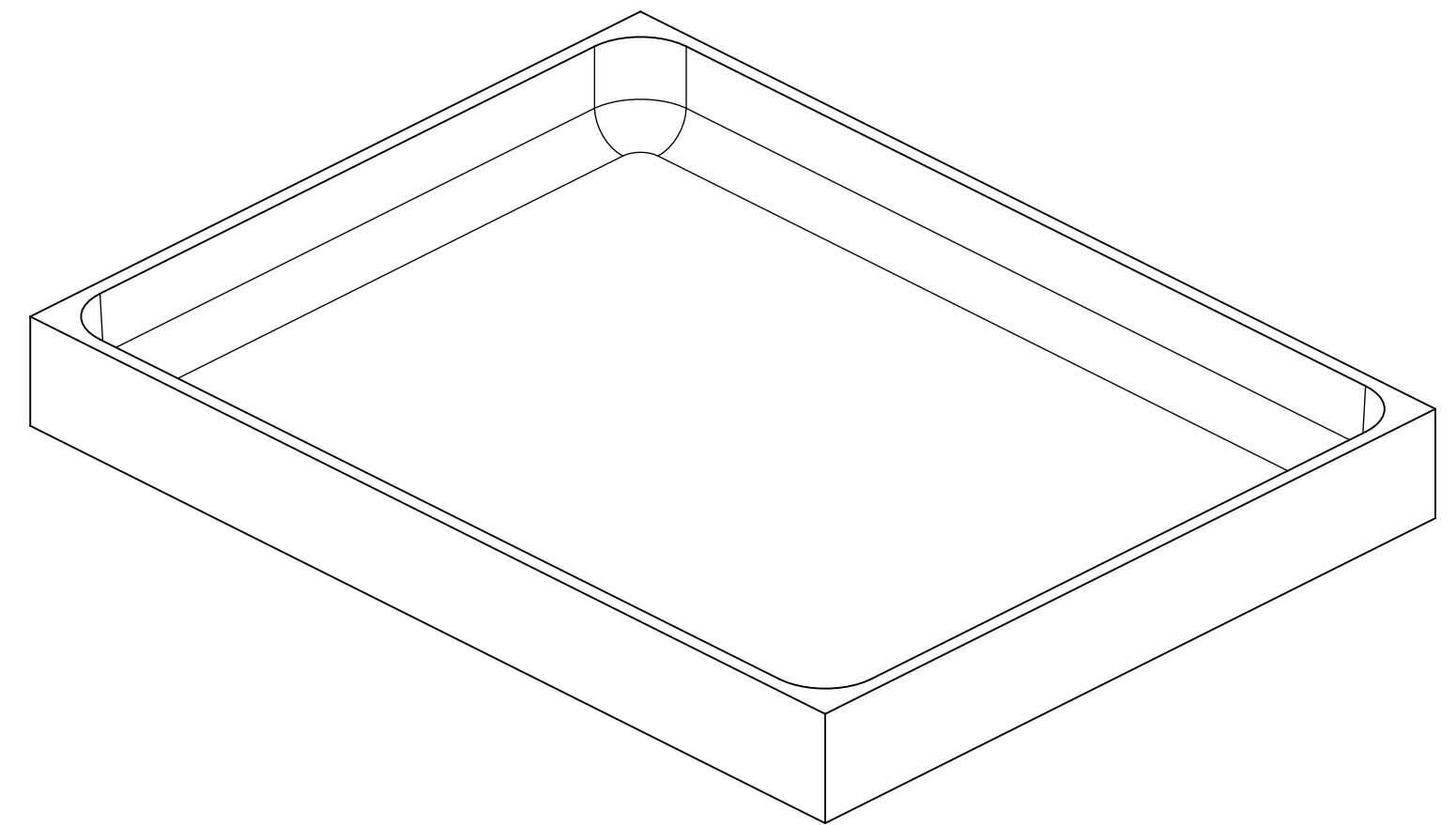
1




SECTION C-C



SECTION D-D



 <b>PELICAN™</b> <i>You break it, we replace it... forever.</i>	UNSPECIFIED TOLERANCES		APPROVALS DATE		<b>PELICAN PRODUCTS INC.</b>				
	DESIGN	DA	1.31.08	23215 EARLY AVE., TORRANCE, CA 90505 (310) 326-4700		TITLE			
	CHECKED		BT			1400-TOP INTERNAL GEOMETRY			
	APPROVED					SIZE	SCALE	DRAWING NO.	REV
This Drawing contains information proprietary to Pelican Products Inc. any reproduction disclosure or use of this drawing requires written permission of Pelican Products Inc.				DO NOT SCALE DRAWING		<b>C</b>	1:2		
								SHEET 1 OF 1	

4

3

2

1