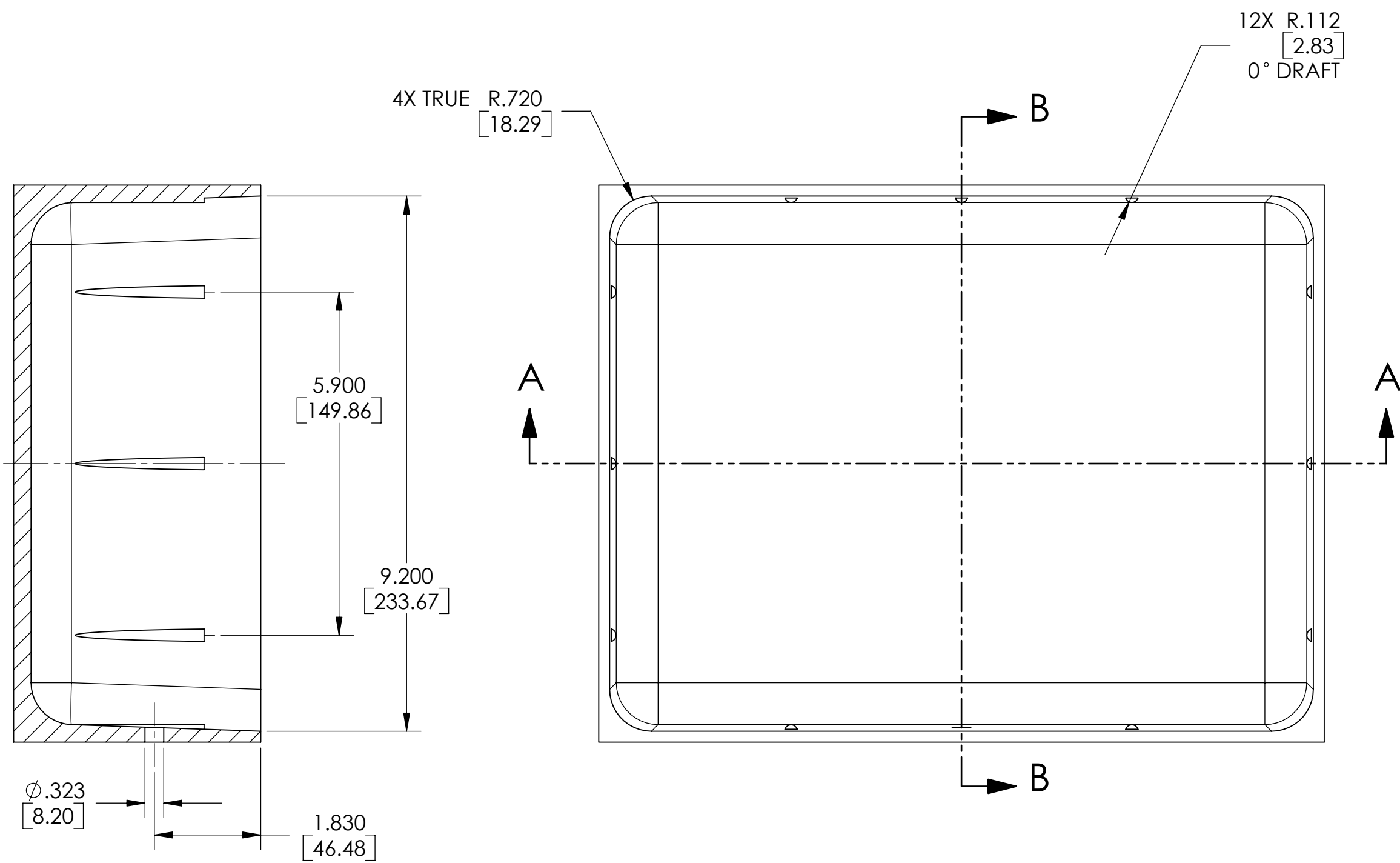


4

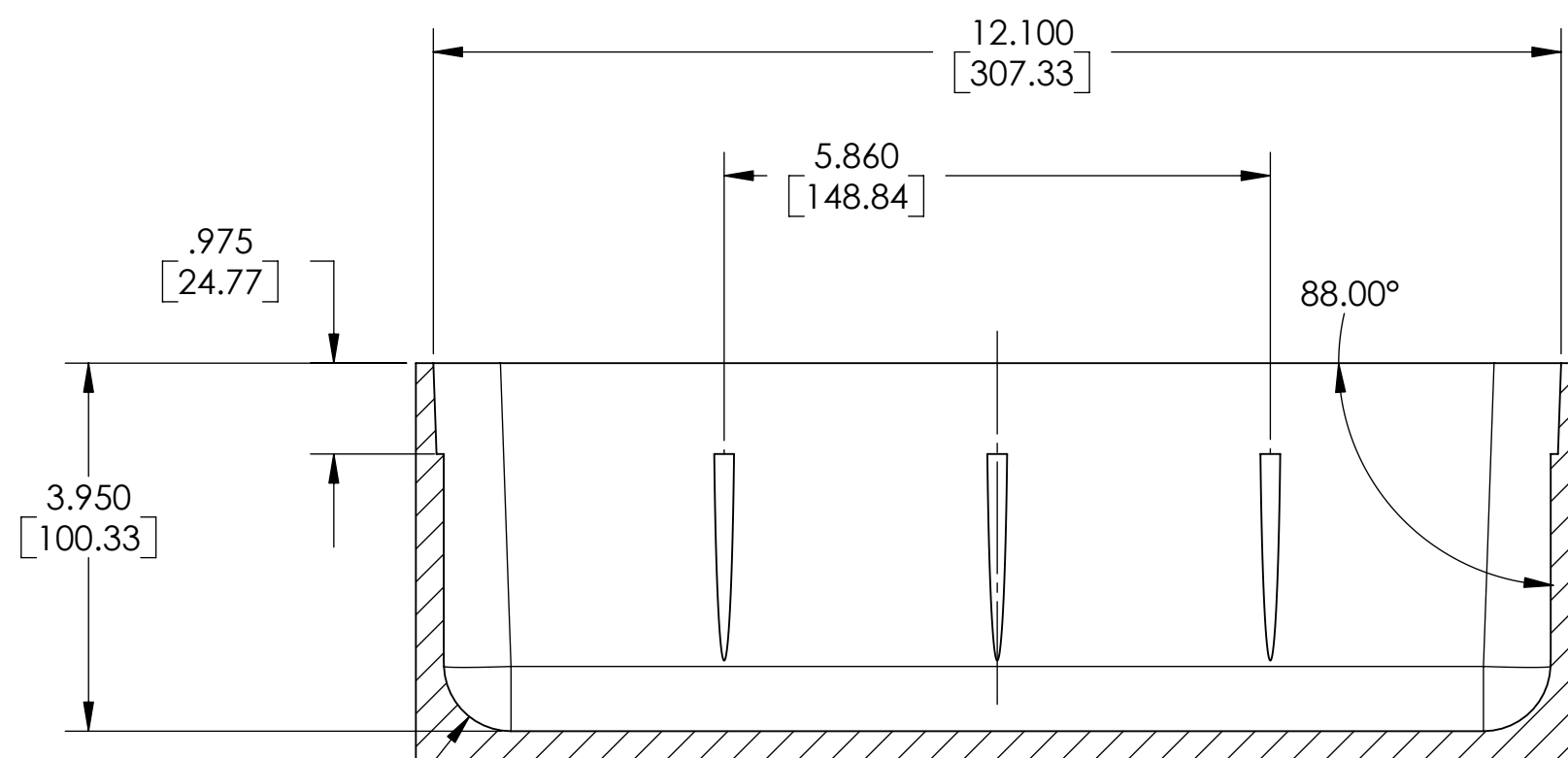
3

2

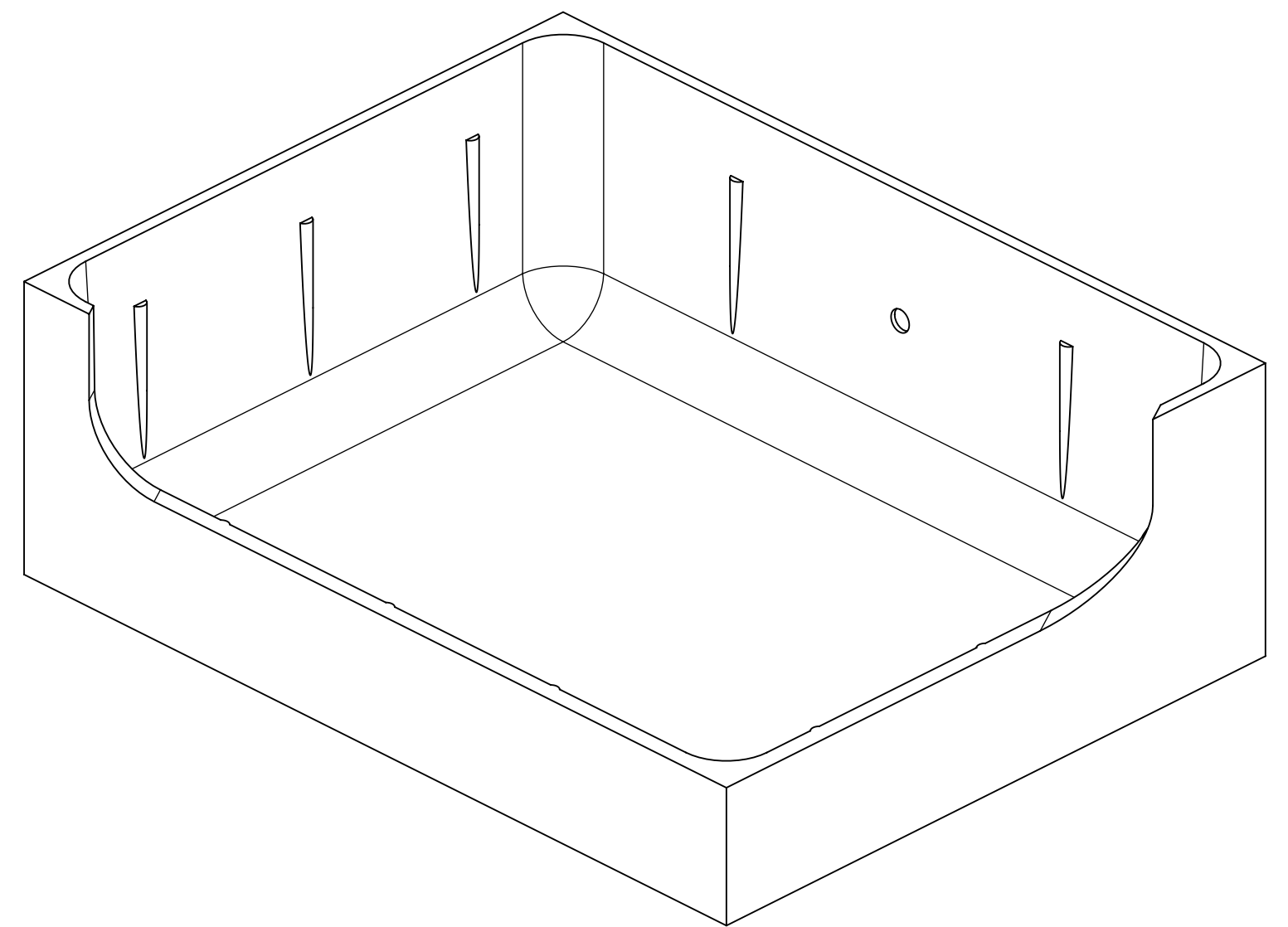
1




SECTION B-B



SECTION A-A



 <b>PELICAN™</b> <i>You break it, we replace it... forever.</i>	UNSPECIFIED TOLERANCES		APPROVALS DATE		<b>PELICAN PRODUCTS INC.</b> 23215 EARLY AVE., TORRANCE, CA 90505 (310) 326-4700		
	DESIGN	DA	1.31.08	TITLE			<b>1400-BOTTOM INTERNAL GEOMETRY</b>
	CHECKED		BT	SIZE	SCALE	DRAWING NO.	
	APPROVED			<b>C</b>	1:2		
This Drawing contains information proprietary to Pelican Products Inc. any reproduction disclosure or use of this drawing requires written permission of Pelican Products Inc.				<b>DO NOT SCALE DRAWING</b>		SHEET 1 OF 1	

4

3

2

1