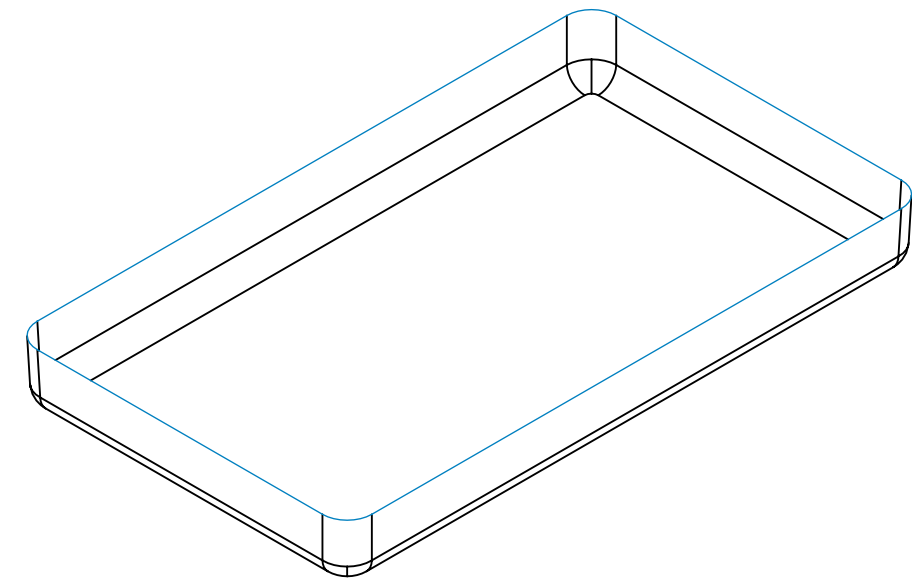
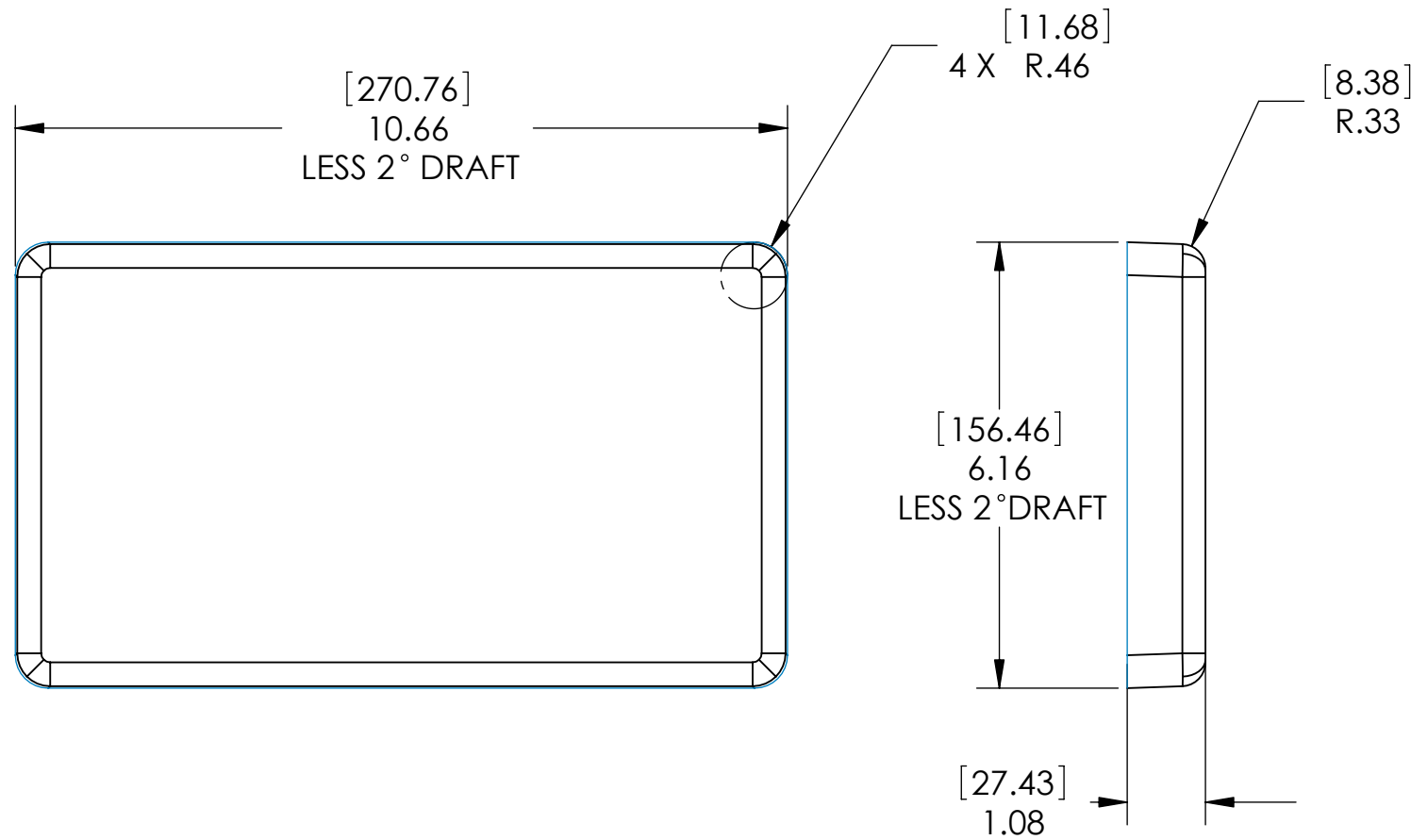


REVISIONS					
REV.	DESCRIPTION	ECO#	DATE	DRFTR	APPR'VD



1. ALL DIMENSION ARE TO INTERNAL GEOMETRY CASE.  
NOTE: UNLESS OTHERWISE SPECIFIED.



This Drawing contains information proprietary to Pelican Products Inc. any reproduction disclosure or use of this drawing requires written permission of Pelican Products Inc.

APPROVALS		DATE	<b>PELICAN PRODUCTS INC.</b>		
DESIGN	XX	XXXX	23215 EARLY AVE., TORRANCE, CA 90505 (310) 326-4700		
CHECKED			TITLE 1170 CUBE CASE TOP		
APPROVED			INTERNAL GEOMETRY		
			SIZE	SCALE	DRAWING NO.
			<b>B</b>	1:2.5	1170
DO NOT SCALE DRAWING					REV PR
				SHEET 1	OF 1