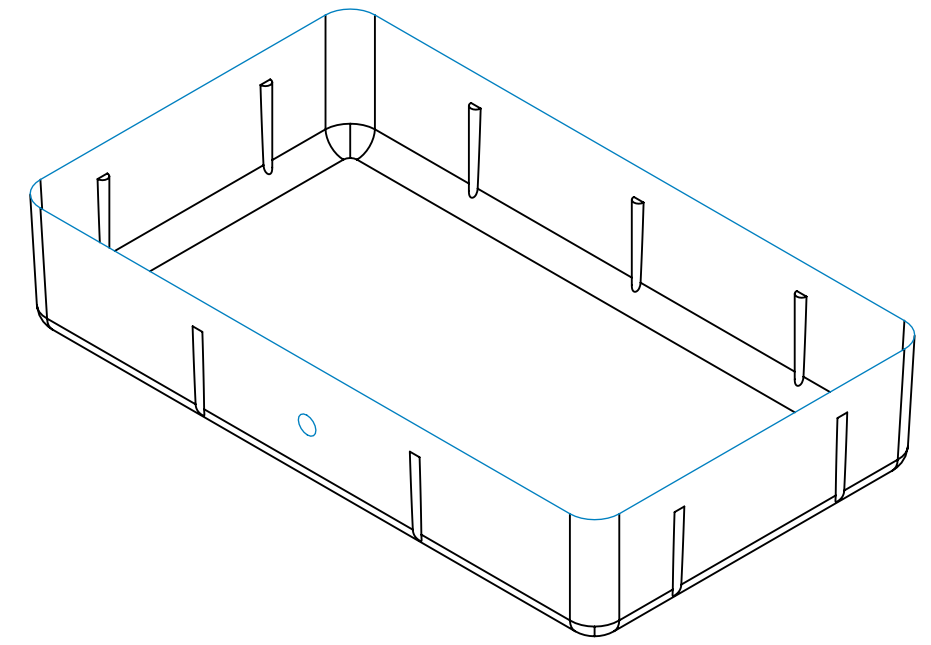
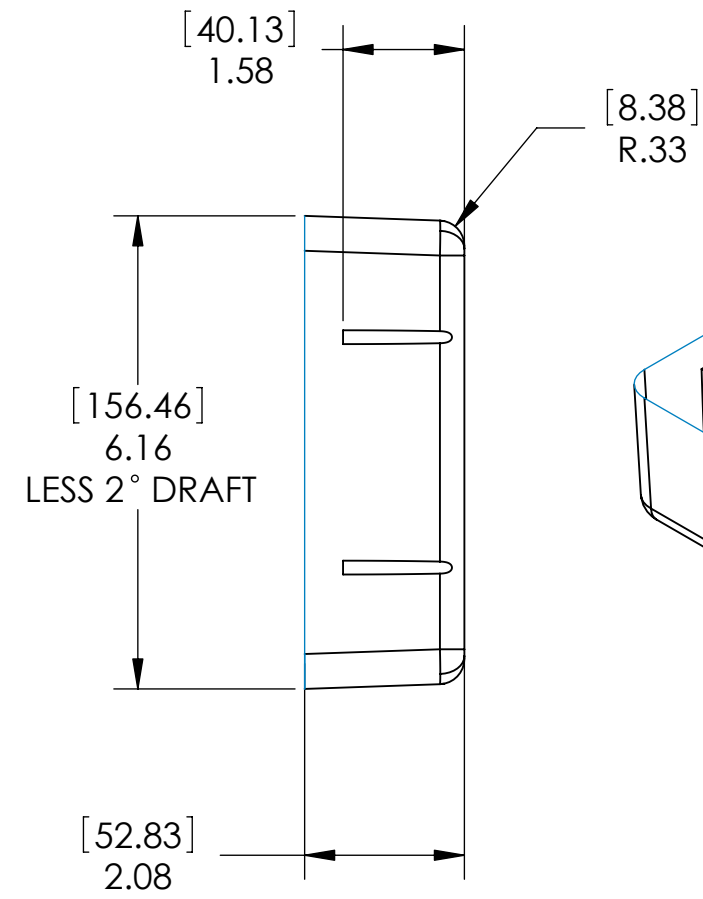
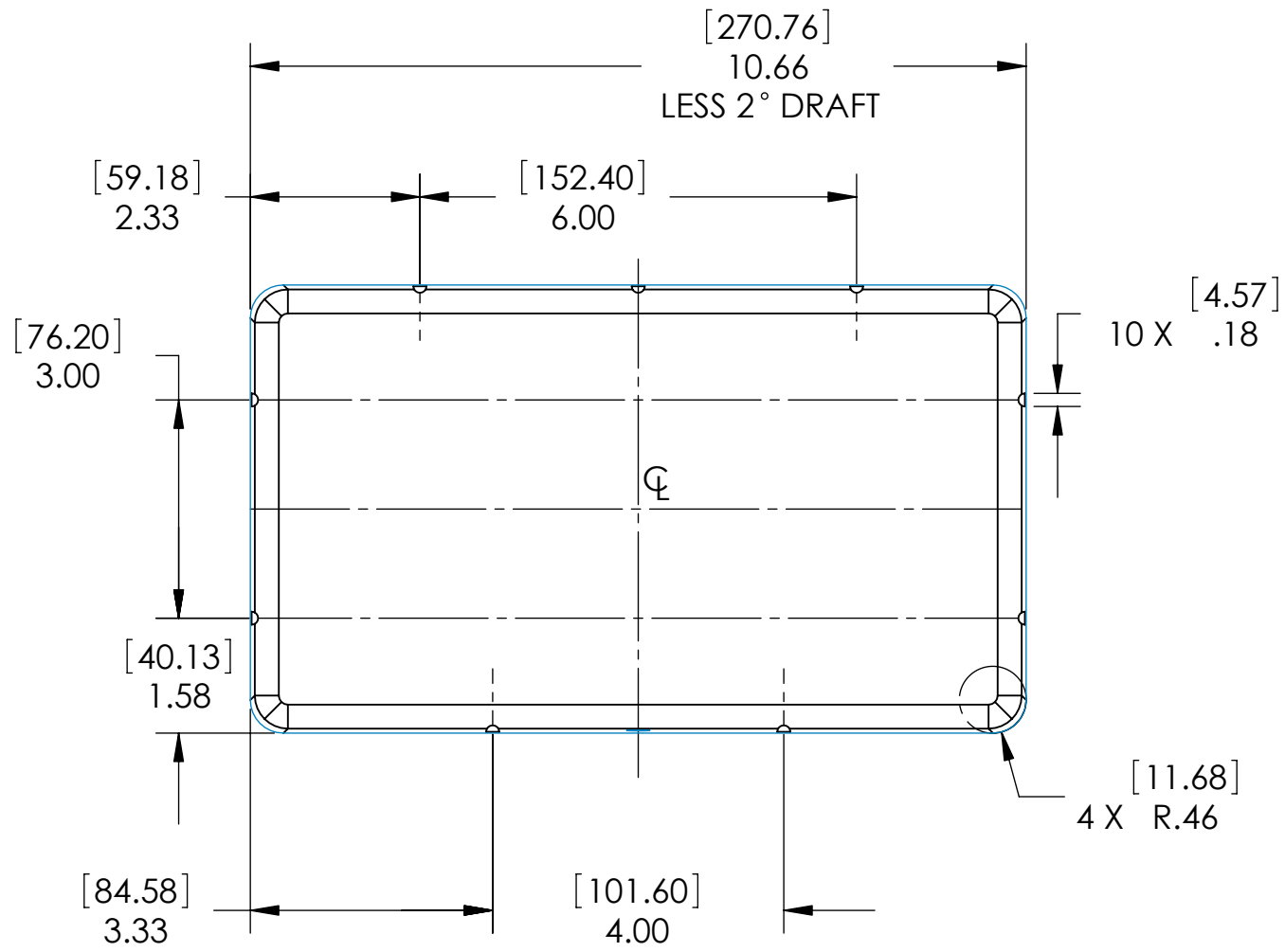


REVISIONS					
REV.	DESCRIPTION	ECO#	DATE	DRFTR	APPR'VD



1. ALL DIMENSION ARE TO INTERNAL GEOMETRY CASE.
NOTE: UNLESS OTHERWISE SPECIFIED.



This Drawing contains information proprietary to Pelican Products Inc. any reproduction disclosure or use of this drawing requires written permission of Pelican Products Inc.

APPROVALS	DATE	PELICAN PRODUCTS INC.			
DESIGN	XX	XXXX	23215 EARLY AVE., TORRANCE, CA 90505 (310) 326-4700		
CHECKED			TITLE		
APPROVED			1170 CUBE CASE BOTTOM INTERNAL GEOMETRY		
			SIZE	SCALE	DRAWING NO.
			B	1:2.5	1170
				REV	PR
DO NOT SCALE DRAWING					SHEET 1 OF 1