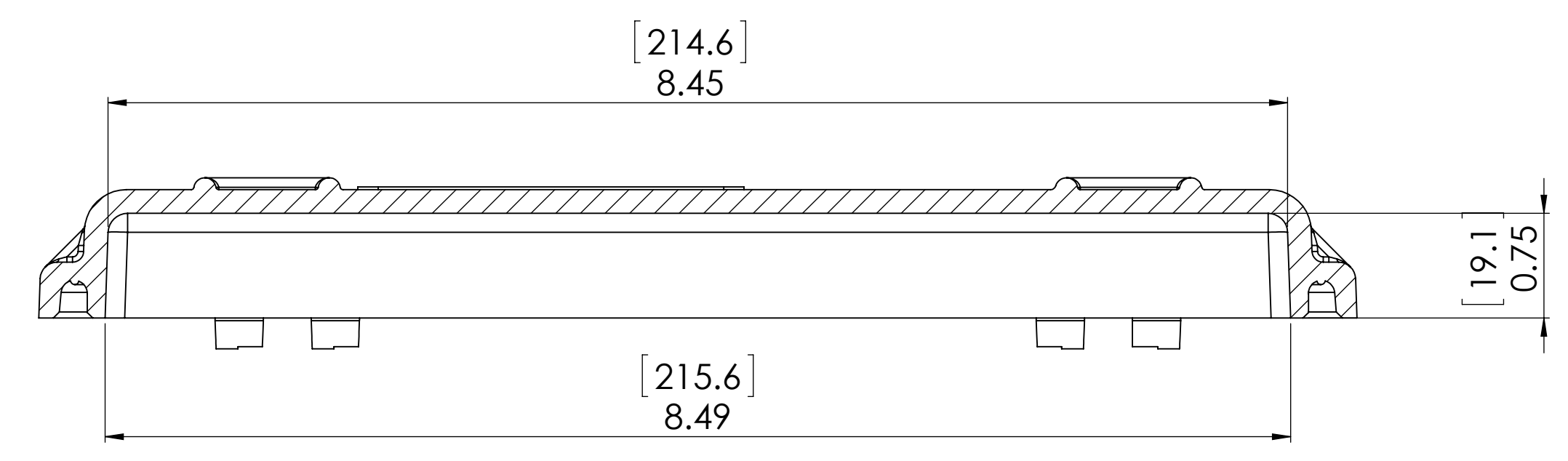
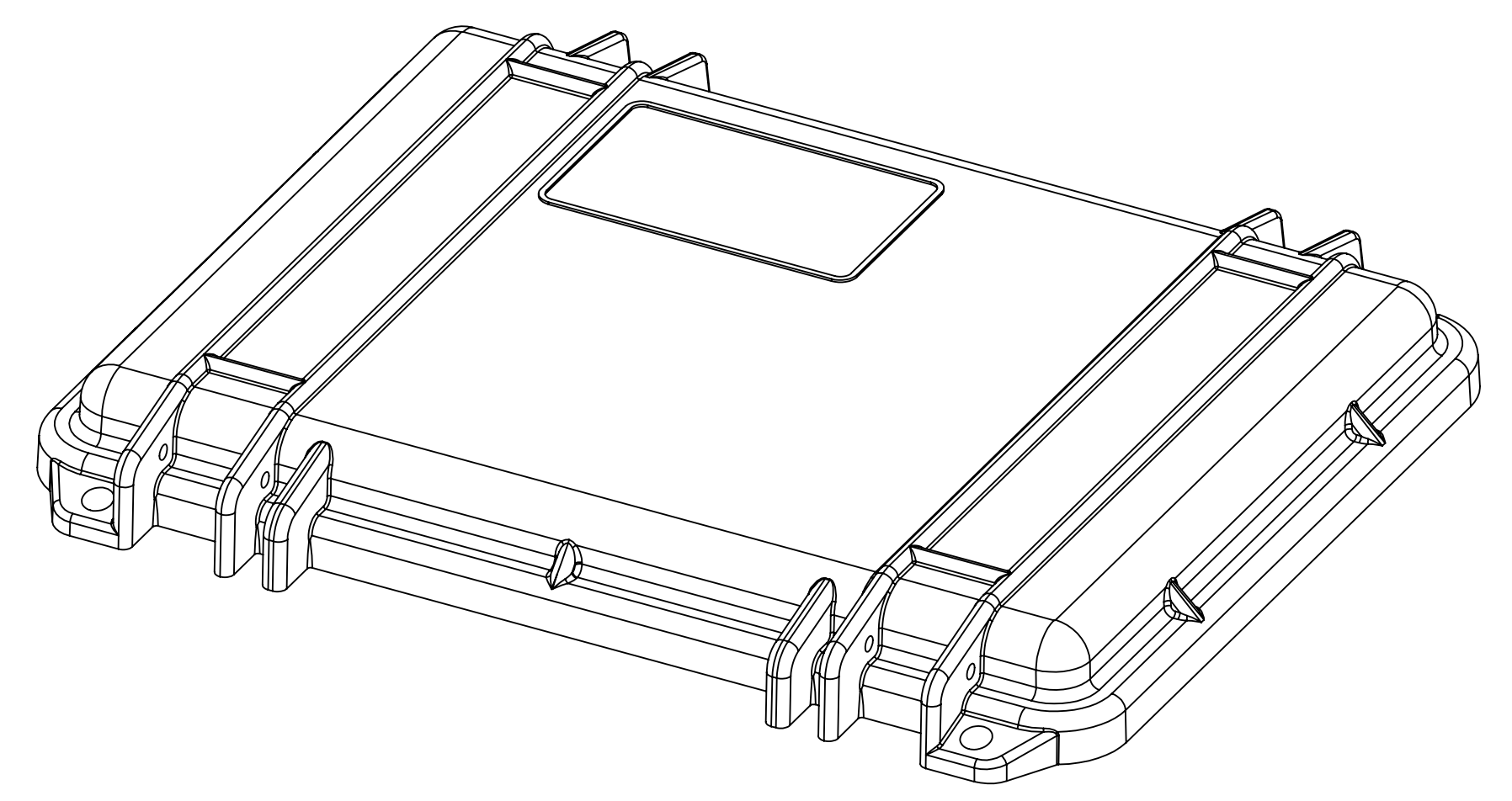
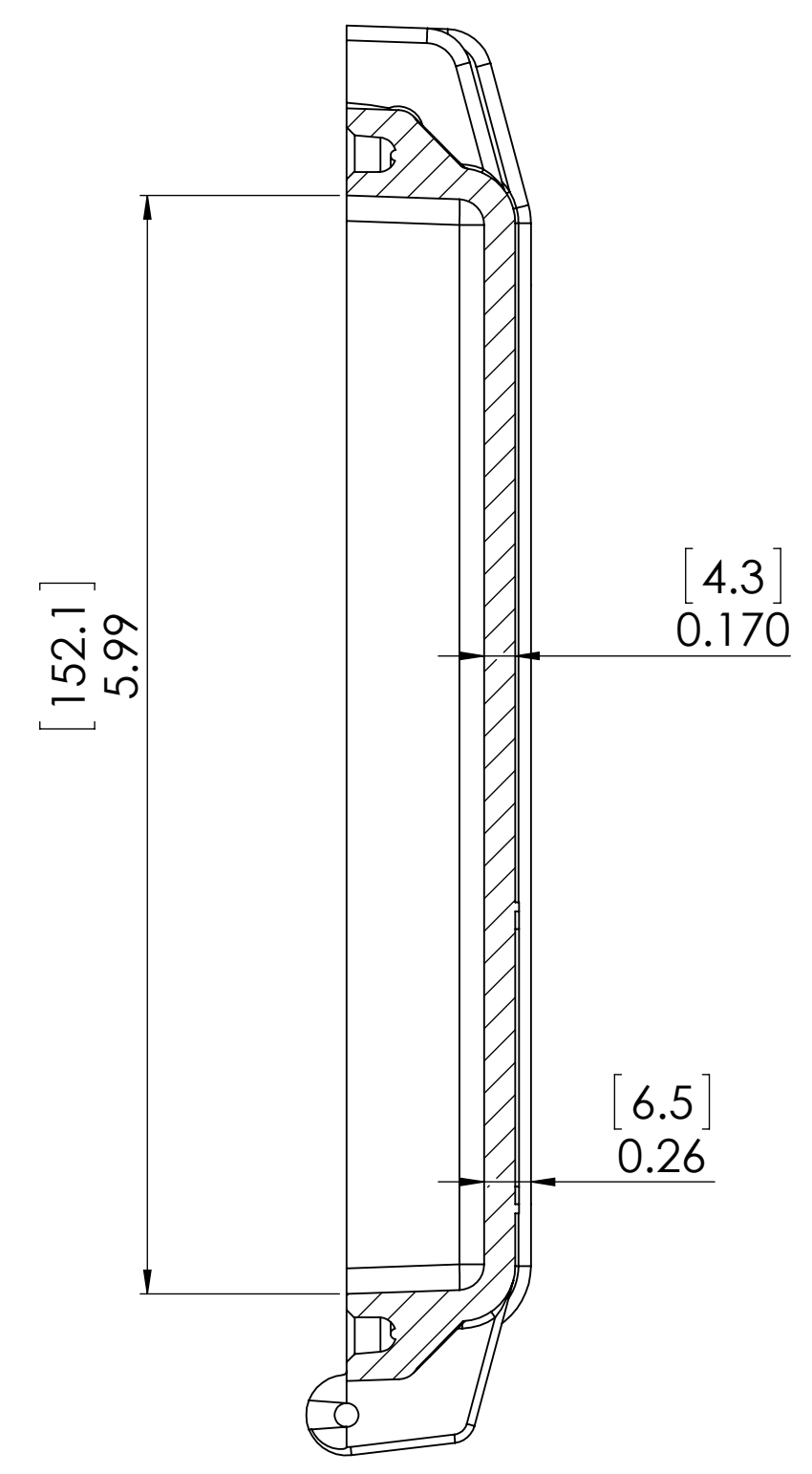
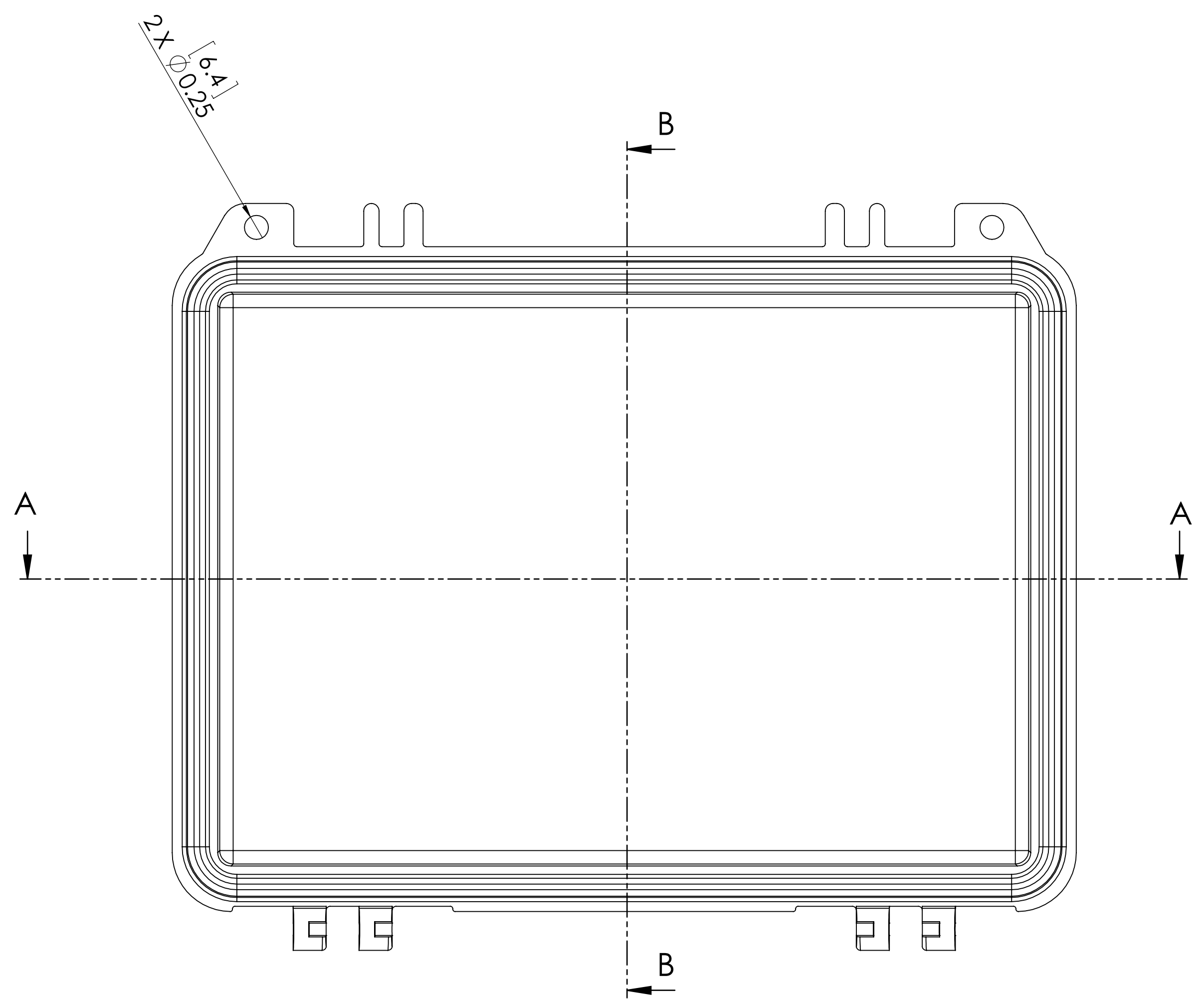



REVISIONS			
REV.	DESCRIPTION	DATE	APPROVED
A	DRAWING RELEASE	11/14/15	MH



SECTION A-A

SECTION B-B

TOLERANCE BLOCK			
INCHES	.XX	<10.00	±.03
		>10.00	±.003 PER INCH
	.XXX		±.005
ANGLES	∠°		±.25°

 <p>PELICAN You break it, we replace it... forever.</p>	APPROVALS	DATE	PELICAN PRODUCTS INC.	
	DESIGN	XX	XXXX	23215 EARLY AVE., TORRANCE, CA 90505 (310) 326-4700
	CHECKED			TITLE
				1150 TOP
			SIZE	SCALE
			D	1:1
			DRAWING NO.	REV
			1151-932T-CLR	A
DO NOT SCALE DRAWING				SHEET 1 OF 1

This Drawing contains information proprietary to Pelican Products Inc. any reproduction disclosure or use of this drawing requires written permission of Pelican Products Inc.